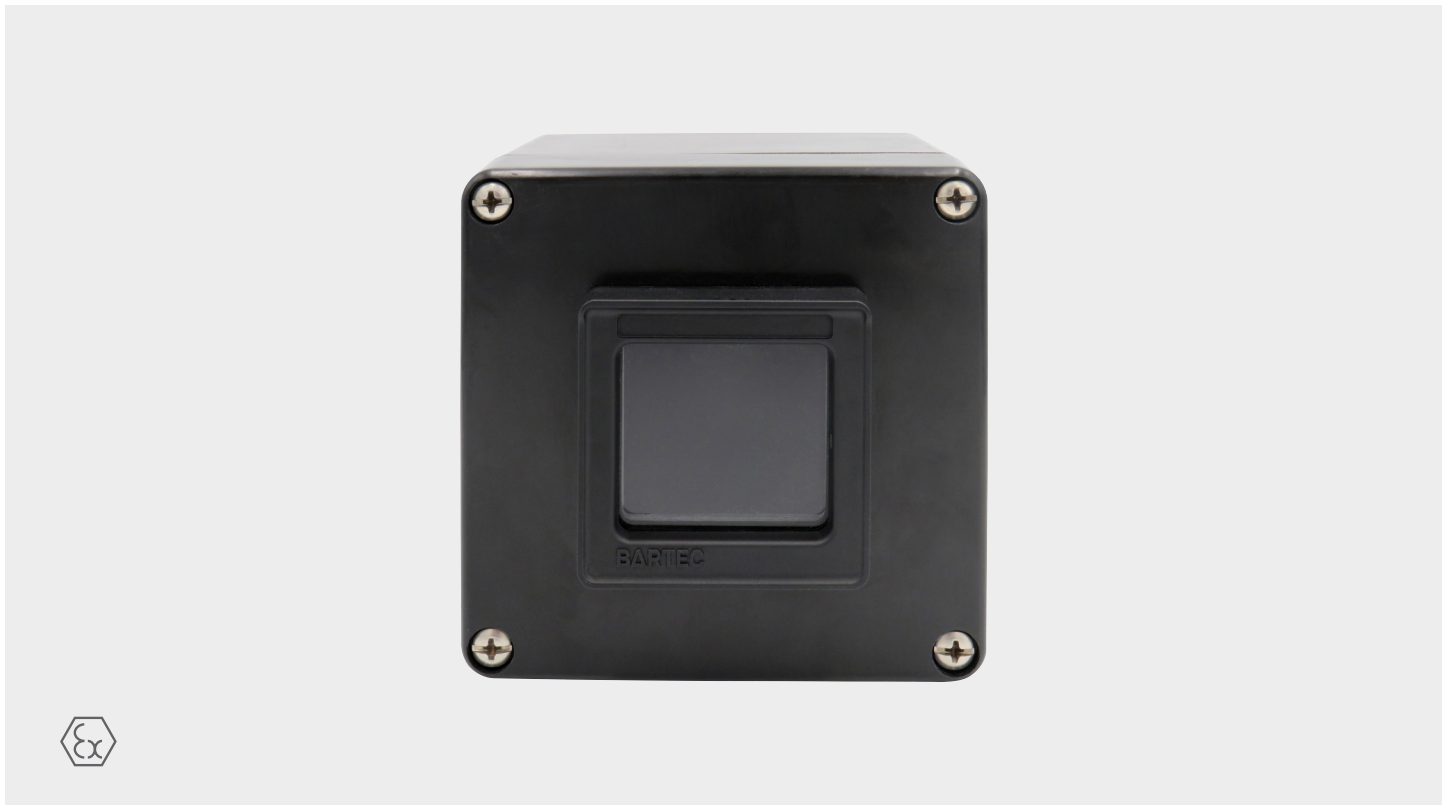


Enclosure Windows

07-39F1-****



The BARTEC enclosure windows 07-39F1-**** are used in explosion-hazardous areas to enable visibility to display devices mounted inside an enclosure as for example ammeter, voltmeter or displays and is available in three sizes.

Designed for easy and quick installation, it can be mounted using self-cutting screws in a defined cutout of an enclosure. It is compatible with enclosures that have wall thicknesses ranging from 1 mm up to 7 mm, making it suitable for stainless steel, aluminum, and GRP enclosures. The enclosure windows are constructed from fiber-reinforced plastics and feature high-quality silicone or EPDM gaskets. This design ensures the highest level of safety and ingress protection across a wide temperature range. The window can be made of UV- and scratch-resistant polycarbonate or tempered safety glass and ensures long-term visibility into the enclosure.

- Certified for zone 1 & 21
- Suitable for enclosure with wall thicknesses from 1 mm up to 7 mm
- UV- and scratch-resistant polycarbonate and tempered safety glass windows
- IP rating up to IP66



Explosion protection

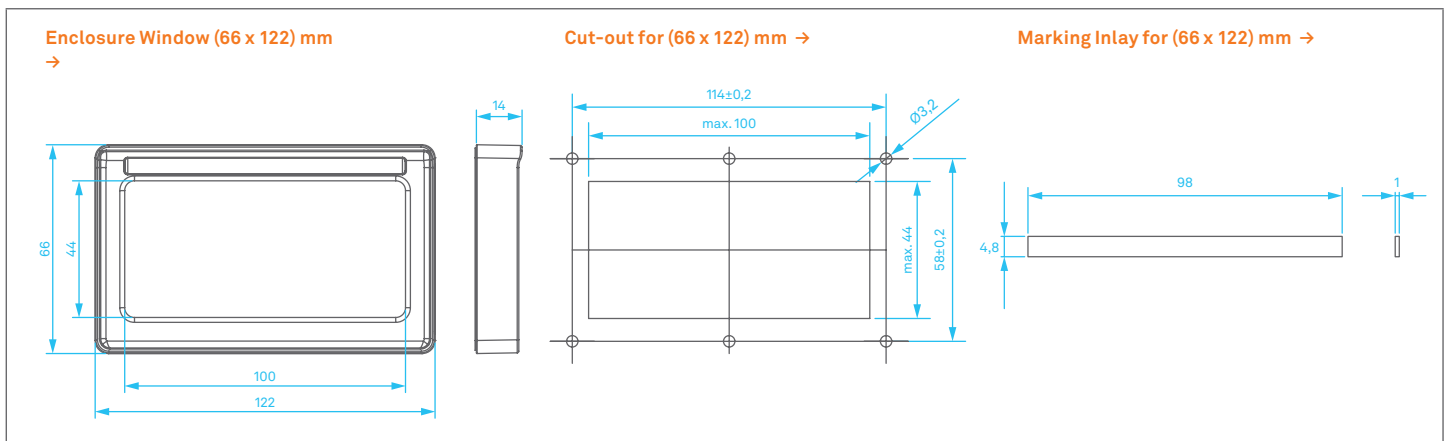
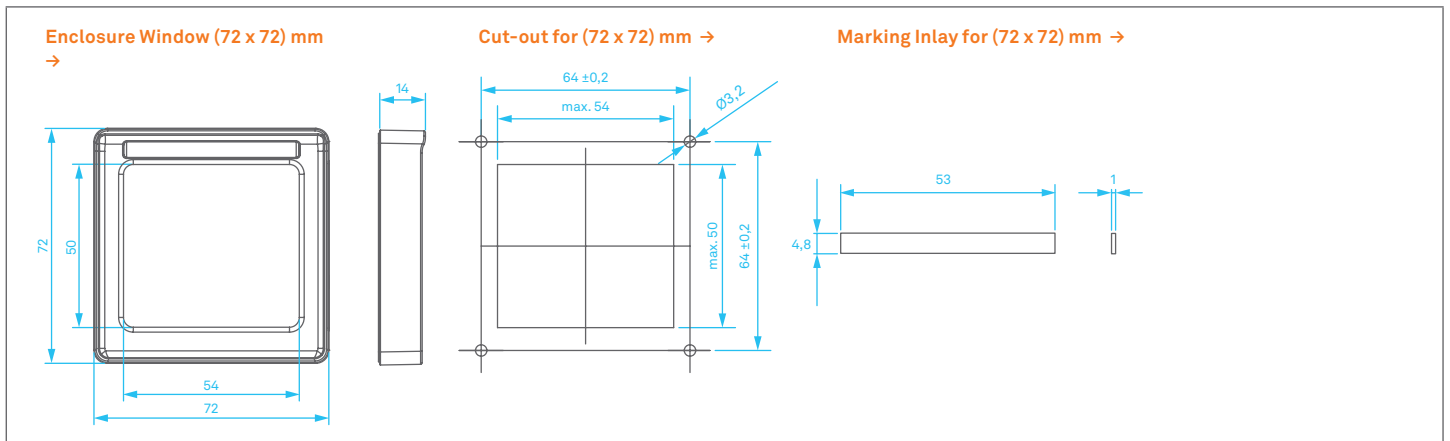
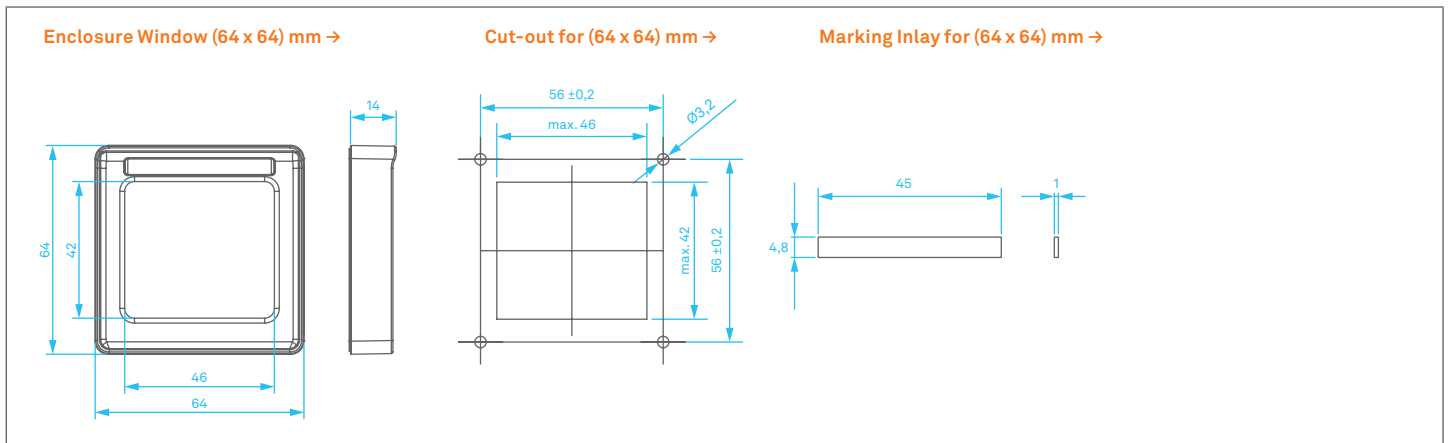
Notified Body Number	0044
ATEX	⊕ II 2G Ex eb IIC Gb
Ex protection type	⊕ II 2D Ex tb IIIC Db
ATEX certificate number	CML 24 ATEX3251U
IECEX	Ex eb IIC Gb
Ex protection type	Ex tb IIIC Db
IECEX certificate number	IECEX CML 24.0149U
Service temperature range	EPDM: -50 °C to +85 °C (-58 °F to +185 °F) Silicon: -55 °C to +85 °C (-67 °F to +185 °F)

For further approvals and certificates, see www.bartec.com

Technical data

Degree of Protection	IP64 acc. to EN/IEC 60079-0 IP66 acc. to EN/IEC 60529
Mounting	- Installation in enclosures with a wall thickness of 1 mm to 7 mm - Torque of Screws 1,3 Nm
Enclosure material	Reinforced plastic
Window material	Polycarbonat (UV- and scratch resistant) Tempered safety glass
Gasket material	Silicon
Weight	(64 x 64) mm: - approx. 55 g (72 x 72) mm: - approx. 70 g (66 x 122) mm: - approx. 95 g

Dimensions in mm



Ordering information

0 7 - 3 9 F 1 - * * * *
 G H I J

Code	Code for	Variation	Description
G	Size	1	(64 x 64) mm
		2	(72 x 72) mm
		3	(66 x 122) mm
H	Window Material	P	Polycarbonat
		G	Tempered safety glass
I	Gasket Material	S	Silicon
		E	EPDM (on request)
J	Wall thickness	1	Enclosure wall from 1 mm to 4 mm
		2	Enclosure wall from ≥ 4 mm to 7 mm

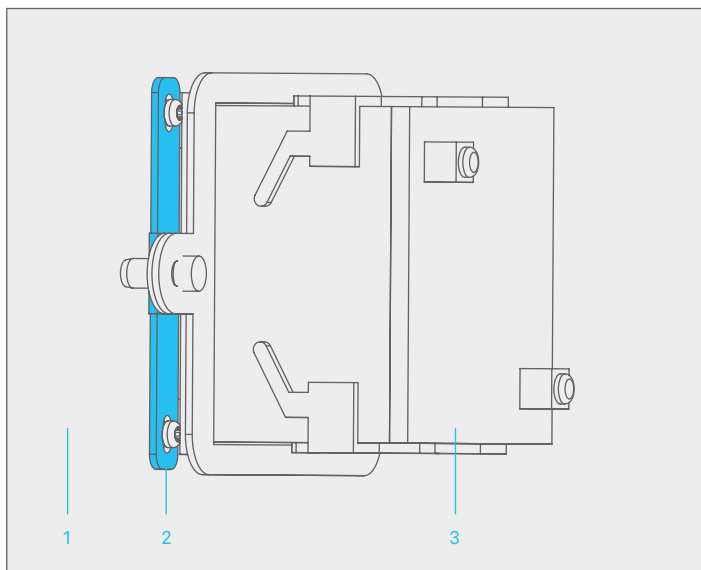
Front Panel Mounting Kit

Description	Order No.
Holder in Stainless Steel (Supplied with fastenting screws)	05-0091-0301

Marking Inlay

For Size	Description	Order No.
(64 x 64) mm	customized engraving on request	03-5412-0073
(72 x 72) mm	customized engraving on request	03-5412-0075
(66 x 122) mm	customized engraving on request	03-5412-0074

Front Panel Mounting Kit Assembly



1	Enclosure Wall
2	Holder
3	e.g. Ammeter or others

The two holder of the front panel mounting kit are clamped under the fastenting screws of the enclosure window. Use the screws which are delivered with in the package of this kit.

REMARK:

Due to the development of the national and international specifications and of the technology, the above technical characteristics showed on this bulletin can be considered as binding on our confirmation only.