

# PLG – NP – EM ...

Conduit fittings, locknuts, bushings, drain/breather valves



**Installation:**

Hazardous areas – Zone 1/2 (Gases) – Zone 21/22 (Dusts)

**Classification:** Group II – Category 2G 2D

**Reference standards**

Directive 2014/34/EU	
Execution	<ul style="list-style-type: none"> <li>⊕ II 2 G Ex db IIC Gb</li> <li>⊕ II 2 G Ex eb IIC Gb</li> <li>⊕ II 2 D Ex tb IIIC Db</li> </ul>
Rules of compliance	EN/IEC 60079-0; EN/IEC 60079-1; EN/IEC 60079-7; EN/IEC 60079-31
EU type-examination certificate	INERIS 16 ATEX 0007X EXA 14 ATEX 0059U (drain breather valve)
Protection degree	IP66
Ambient temperature	60 °C ÷ +130 °C
Other available certificates	IECEx: IECEx INE 16.0014X IECEx EXA 14.0004U (drain breather valve) INMETRO: CEPEL 13.2219U (plug) CEPEL 13.2221U (drain breather valve) CEPEL 13.2225U (nipples and coupling) CEPEL 13.2227U (elbows) UL NEC-505: E465038-20131101 E465038-20160219 CCC: 2022122313115041 CCOE-PESO: P531830 (for PLG) – P531825 (for ECD) ECASEx: 23-06-22481/Q23-06-048569/NB0002 KC: 25-KA4BO-0149U ÷ 25-KA4BO-0151U (for ECD only)

**Mechanical characteristics**

Plugs – locknuts	
Material – plugs	Marine grade copper free aluminum light alloy – galvanized steel – stainless steel – nichel plated brass
Material – locknuts	Galvanized steel – stainless steel nichel plated brass – aluminium
Elbows . bushings	
Material	Marine grade copper free aluminum light alloy – galvanized steel
Screws	Stainless steel (DBT only)
Nipples – couplings	
Material	Galvanized steel – stainless steel (nipples only)
Drain/Breather valves	
Material	Stainless steel AISI 316L
Gasket	Silicon rubber

**On Request Accessories**

- Different threads from standard
- Different metal materials from standard



## Technical Features

Detail "A"		Detail "B"		Detail "C"	
Male plugs		Nipples		Coupling	
Type	ØD	Type	ØD	Type	ØD
PLG1	1/2"	NP1	1/2"	EM1	1/2"
PLG2	3/4"	NP2	3/4"	EM2	3/4"
PLG3	1"	NP3	1"	EM3	1"
PLG4	1-1/4"	NP4	1-1/4"	EM4	1-1/4"
PLG5	1-1/2"	NP5	1-1/2"	EM5	1-1/2"
PLG6	2"	NP6	2"	EM6	2"
PLG7	2-1/2"	NP7	2-1/2"	EM7	2-1/2"
PLG8	3"	NP8	3"	EM8	3"
PLG9	3-1/2"	NP9	3-1/2"	EM9	3-1/2"
PLG10	4"	NP10	4"	EM10	4"
PLG11	5"	NP11	5"	EM11	5"
PLG12	6"	NP12	6"	EM12	6"

Detail "D"		Detail "E"		Detail "F"	
90deg Elbows female – female		90deg Elbows female – male		90deg Elbows male – male	
Type	ØD	Type	ØD	Type	ØD
ELF1	1/2"	ELFM1	1/2"	ELM1	1/2"
ELF2	3/4"	ELFM2	3/4"	ELM2	3/4"
ELF3	1"	ELFM3	1"	ELM3	1"
ELF4	1-1/4"	ELFM4	1-1/4"	ELM4	1-1/4"
ELF5	1-1/2"	ELFM5	1-1/2"	ELM5	1-1/2"
ELF6	2"	ELFM6	2"	ELM6	2"
ELF7	2-1/2"	ELFM7	2-1/2"	ELM7	2-1/2"
ELF8	3"	ELFM8	3"	ELM8	3"
ELF9	3-1/2"	ELFM9	3-1/2"	ELM9	3-1/2"
ELF10	4"	ELFM10	4"	ELM10	4"
ELF11	5"	ELFM11	5"	ELM11	5"
ELF12	6"	ELFM12	6"	ELM12	6"

Detail "G"		Detail "H"		Detail "I"	
Locknuts (*)		Bushings (*)		Bushings with earth screws (*)	
Type	ØD	Type	ØD	Type	ØD
DL1	1/2"	DB1	1/2"	DBT1	1/2"
DL2	3/4"	DB2	3/4"	DBT2	3/4"
DL3	1"	DB3	1"	DBT3	1"
DL4	1-1/4"	DB4	1-1/4"	DBT4	1-1/4"
DL5	1-1/2"	DB5	1-1/2"	DBT5	1-1/2"
DL6	2"	DB6	2"	DBT6	2"
DL7	2-1/2"	DB7	2-1/2"	DBT7	2-1/2"
DL8	3"	DB8	3"	DBT8	3"
DL10	4"	DB10	4"	DBT10	4"

(\*) Remark: locknuts DL type and bushings DB-DBT type are not covered by Ex certificate.

## Technical Features

Detail "L"		Detail "M"		Detail "N"	
Drain/Breather valve for Ex d... enclosures		Drain/Breather valve for Ex d... enclosures		Drain/Breather valve for ESA/ESX enclosures	
Type	ØD	Type	ØD	Type	ØD
ECD1MX	M20	ECD1NX	1/2" NPT	ECDE	M20

### Identification stopping plugs selection table

Type (Fig.0)
<b>PLG#</b>
Thread / Diameter: <b>01 / 02 / 03 / 04 / 05 / 06 / 06 / 07 / 08 / 09 / 10 / 11 / 12</b>
Type of thread: <b>R-Rc (EN 10226-2), P (PG), N (NPT), G (ISO 228), M (ISO-metric)</b>
Material: <b>XX (stainless steel), ON (brass)</b>
Shape: <b>B (Outer hexagon), C (Inner hexagon)</b>
Brand: <b>F (Bartec FN), I (Bartec Feam), N (Bartec Nasp), X (Bartec Fenex)</b>
Certificate marking: <b>S (Atex/IECEX/CCC), E (Atex/IECEX), K (CCC), M (Inmetro), R (CCOE-Peso)</b>

	Type	Thread/Diameter	Type of thread	Material
Example 1	PLG	6	R-Rc	ON
Example 2	PLG	3	N	XX
Example 3	PLG	2	G	XX
Example 4	PLG	2	M	XX
Example 5	PLG	5	R-Rc	XX

**Example 1:** PLG6KON= Nickel plated brass stopping plug 2" UNI-6125

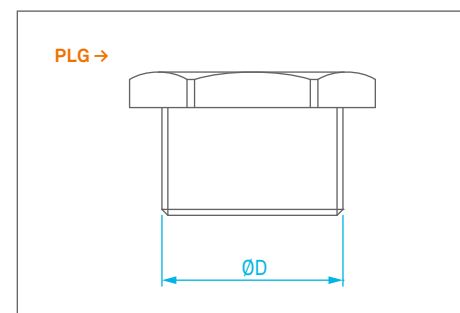
**Example 2:** PLG3NXX= Stainless steel aisi-316L stopping plug 1" NPT

**Example 3:** PLG20GXX= Stainless steel aisi-316L stopping plug 3/4" ISO-228

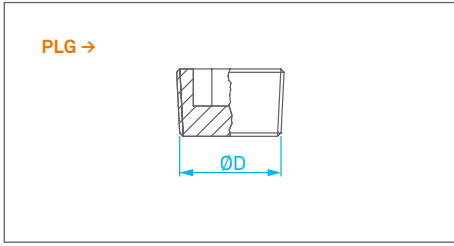
**Example 4:** PLG2MXX= Stainless steel aisi-316L stopping plug ISO-M25

**Example 5:** PLG5KXX= Stainless steel aisi-316L stopping plug 1 1/2" UNI-6125

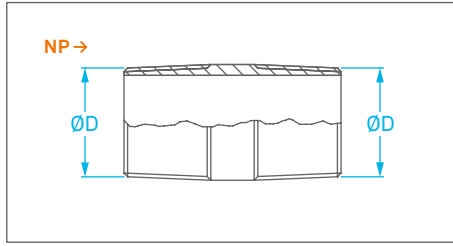
### Det. 0



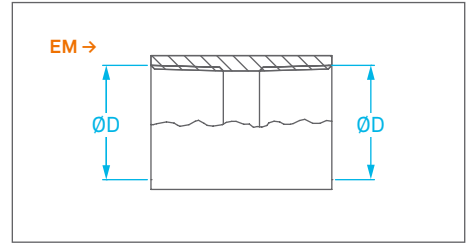
**Det. A**



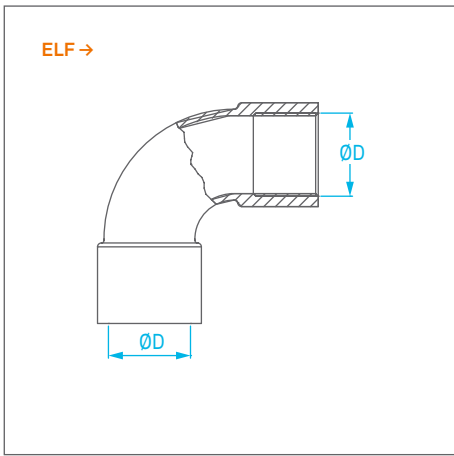
**Det. B**



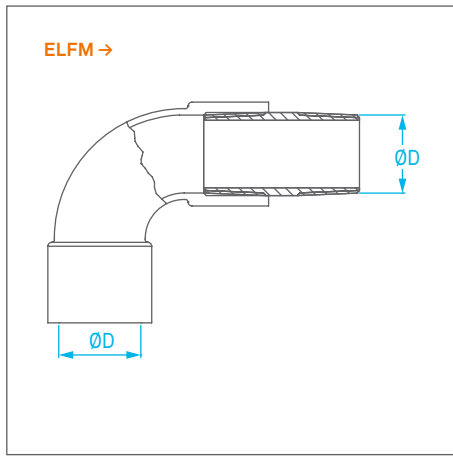
**Det. C**



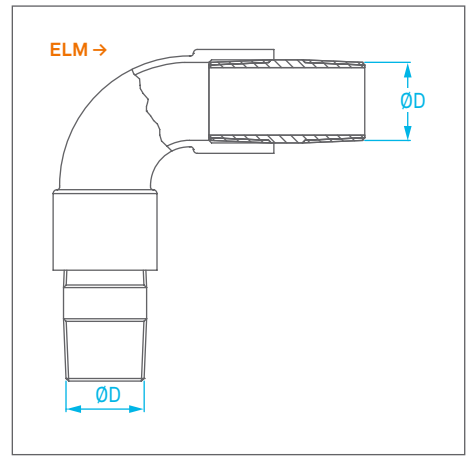
**Det. D**



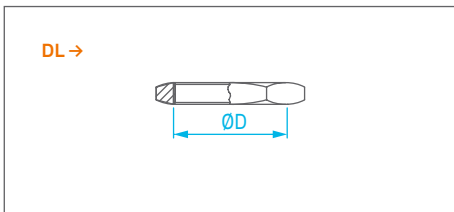
**Det. E**



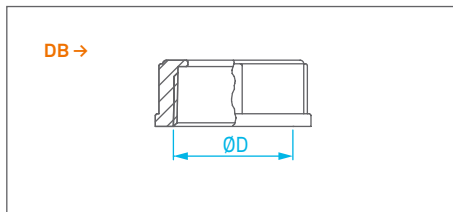
**Det. F**



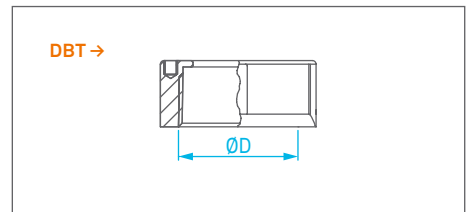
**Det. G**



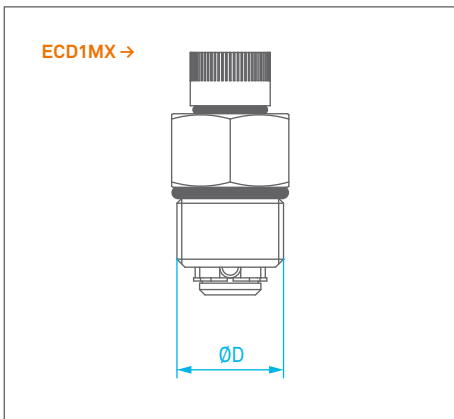
**Det. H**



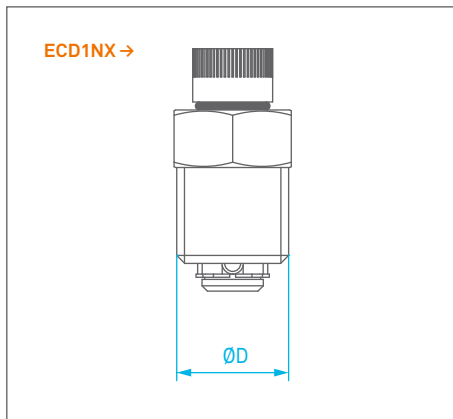
**Det. I**



**Det. L**



**Det. M**



**Det. N**

