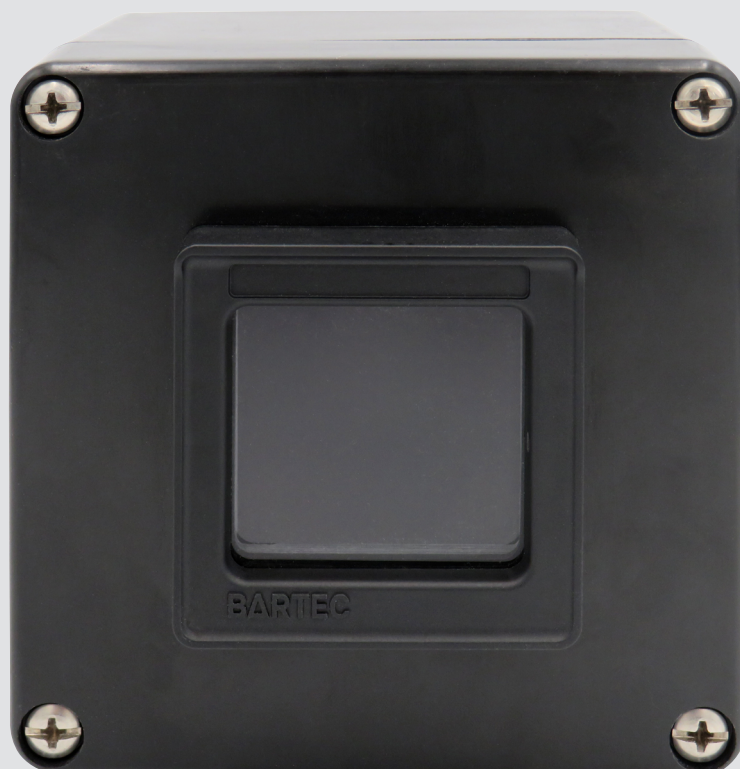


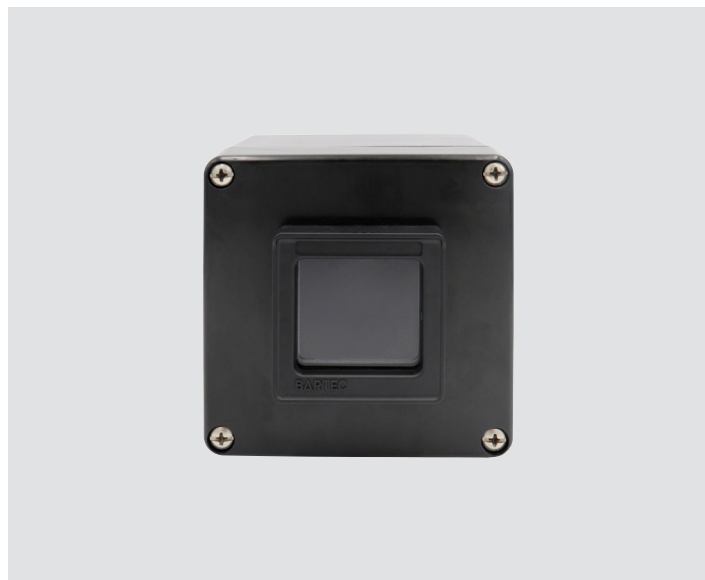
Enclosure windows

Type 07-39F1-****



Enclosure windows

Type 07-39F1-****



Description

The BARTEC enclosure window 07-39F1-**** are used in explosion-hazardous areas to enable visibility to display devices mounted inside an enclosure as for example ammeter, voltmeter or displays and is available in two sizes.

Designed for easy and quick installation, it can be mounted using self-cutting screws in a defined cutout of an enclosure. It is compatible with enclosures that have wall thicknesses ranging from 1 mm up to 7 mm, making it suitable for stainless steel, aluminum, and GRP enclosures. The enclosure windows are constructed from fiber-reinforced plastics and feature a high-quality silicon gasket. This design ensures the highest level of safety and ingress protection across a wide temperature range. The window itself is made of UV- and scratch-resistant polycarbonate, ensuring long-term visibility into the enclosure.

Notes about the instructions

When work is carried out in potentially explosive areas, the safety of persons and systems depends on compliance with the relevant safety regulations. Persons in charge of installation and maintenance bear a special responsibility. This requires detailed knowledge of the applicable regulations and provisions. The instructions summarize the most important safety measures and must be read by all persons who work with the product so that they are familiar with the proper way to handle the product. The instructions must be kept available for the entire product service life.

Explosion protection

Notified Body Number	0044
ATEX Ex protection type	Ⓜ II 2G Ex eb IIC Gb Ⓜ II 2D Ex tb IIIC Db
ATEX certificate number	CML 24 ATEX3251U
IECEX Ex protection type	Ex eb IIC Gb Ex tb IIIC Db
IECEX certificate number	IECEX CML 24.0149U
Service temperature range	-55 °C to +85 °C (-67 °F to +185 °F)

For further approvals and certificates, see www.bartec.com

Technical data


Degree of Protection	IP64 acc. to EN/IEC 60079-0 IP66 acc. to EN/IEC 60529
Mounting	- Installation in enclosures with a wall thickness of 1 mm to 7 mm - Torque of Screws 1.3 Nm
Enclosure material	Reinforced plastic
Window material	Polycarbonat (UV- and scratch resistant)
Gasket material	Silicon
Weight	(64x64) mm: - approx. 55 g (72x72) mm: - approx. 70 g


Safety Instructions


The enclosure windows may be used only within the specified ambient and operating temperature range. Utilization in areas other than those specified and the modification of the product by anyone other than the manufacturer are not permitted and will exempt BARTEC from liability for defects and any further liability. Incorrect installation can cause malfunctioning and the loss of explosion protection. The enclosure window may be connected and assembled only by qualified personnel who are authorized and trained to assemble electrical components in hazardous (potentially explosive) areas. The generally applicable statutory rules and other binding directives relating to workplace safety, accident prevention and environmental protection must be adhered to. The enclosure window may be operated only if it is in a clean and undamaged condition. It is not permissible to modify the enclosure window in any way.


Danger, warning and note symbols


Safety instructions and warnings are specially highlighted in these operating instructions and marked by symbols.

 **DANGER** draws attention to a direct threat which if not avoided will lead to death or very serious injuries.

 **WARNING** draws attention to a possible threat which if not avoided can lead to death or very serious injuries.

 **CAUTION** draws attention to a possible danger which if not avoided can lead to slight or minor injuries.

 **ATTENTION** draws attention to a potentially damaging situation which if not avoided can cause damage to the equipment or to objects in its vicinity.


 **NOTE** Important instructions and information on effective, economical & environmentally compatible handling.

Schedule of Limitations

The following conditions relate to safe installation and/or use of the equipment.


- When the components are installed to electrical equipment, the service temperature of the components shall be within -55 °C to +85 °C.
- Under certain extreme circumstances, the component may be considered to be a potential electrostatic charging hazard. The risk of electrostatic discharge shall be minimized as stated in EN IEC 60079-0 clauses 7.4.2 and 7.4.3. The surface may only be cleaned with a damp cloth.

Transport and Storage


 **ATTENTION**
Damage to the enclosure windows through Incorrect Transport or Storage.

- Transport and storage is permissible in original packaging only.


Assembly, Installation and disassembly

 **WARNING**
Risk of serious injury due to incorrect proceedings.

- Only authorized and qualified personnel may do any of the assembly, disassembly, installation and commissioning work.
- Use suitable tools.
- For assembly and operation of explosion-protected electrical equipment, relevant installation and operating regulations are to be adhered. (z.B. Betr.SichV, IEC/EN 60079-14 and series DIN VDE 0100).
- The data on the label and the EU- type examination certificate are to be observed.


 **ATTENTION**
Damage to enclosure windows due to incorrect installation dimensions.

- Before assembly, ensure the perfect condition of the components.

 **NOTE**
Installation dimensions and assembly drawings, see page 4


- Min. screw in-depth and Tightening torque see page 2.

Operation

 **DANGER**
Death or serious injury through improper use.

- The protective component may be operated only within the technical limits that apply to it (see page 2).


Maintenance and fault clearance

 **WARNING**
Risk of serious injury due to incorrect proceedings.

- Only authorized qualified personnel may do any of the work relating to maintenance and fault clearance Ensure that the voltage supply has been isolated or take suitable protective measures.
- IEC/EN 60079-17 must be observed.

The operator of the enclosure window must keep it in good condition, operate it properly, monitor it and clean it regularly.

Maintenance

 **WARNING**
Risk of serious accidents due to damaged parts.

- Check enclosure windows regularly for cracks and damage. Make sure that they are properly established

NOTE

- Damage to enclosure windows due to incorrect cleaning
- Check the device and seal for damage before and after cleaning them. Decommission damaged devices immediately.
 - Clean the device only with a cloth, brush or similar items.
 - When cleaning with a damp cloth, use water or mild, non-abrasive, non scratching cleaning agents.
 - Do not use abrasive cleaning agents or solvents.



Fault clearance

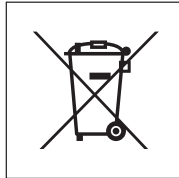
WARNING

- Risk of serious injury due to use of non-original spare parts.
- Use original parts only as replacements.
 - IEC/EN 60079-19 must be observed.
- Defective enclosure windows can be taken off and replaced by functioning enclosure windows of the same type considering this operational instruction.



Disposal

The components in the enclosure windows contain metal and plastic parts. The statutory requirements for disposing of electronic scrap must be observed therefore (e.g. disposal by an approved disposal company).



Cleaning

DANGER

Warning – potential electrostatic charging hazard.
The surface may only be cleaned with a damp cloth!



Commissioning

- Before commissioning,
- The enclosure window has been installed correctly
 - The enclosure window is not damaged

Accessories, Spare parts and disposal

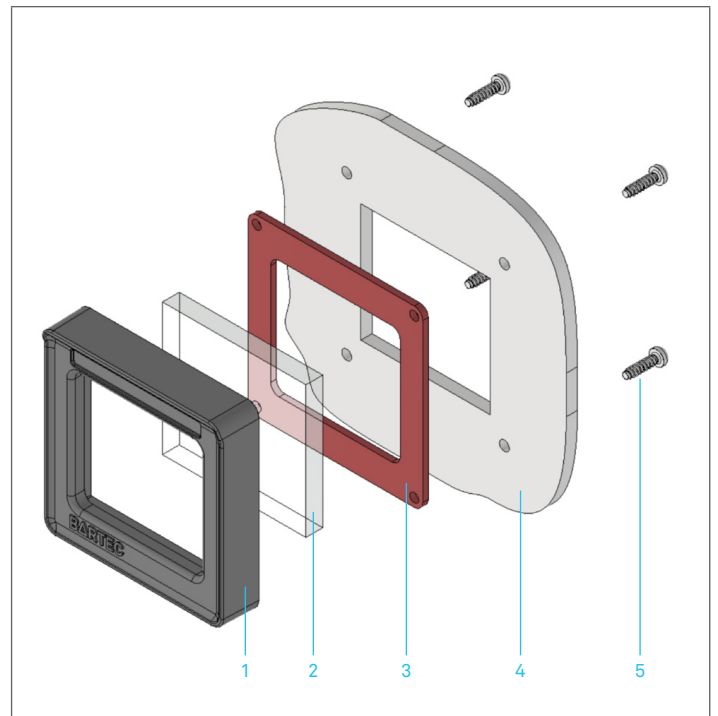
See BARTEC website www.bartec.com

Service Address

BARTEC GmbH
Max-Eyth-Str. 16
97980 Bad Mergentheim
Germany

Phone: +49 7931 597 0
info@bartec.com
bartec.com

Assembling of the Enclosure Window

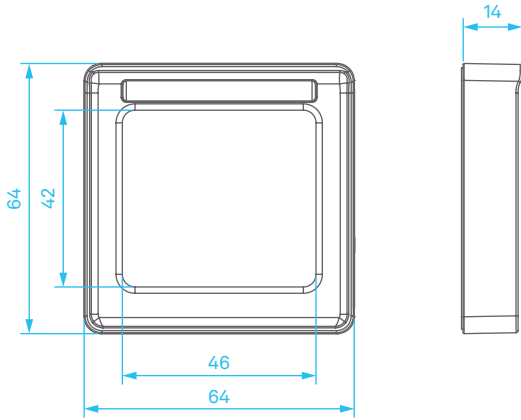


1	frame
2	window
3	gasket
4	enclosure
5	screws

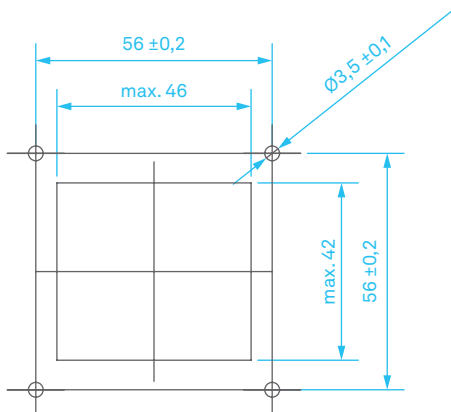
1. Fasten the frame (1), window and gasket in the enclosure (4) using the screw (5).
2. Tighten the screws (tightening torque 1.3 Nm).

Dimensions in mm

Enclosure Window (64x64) mm →



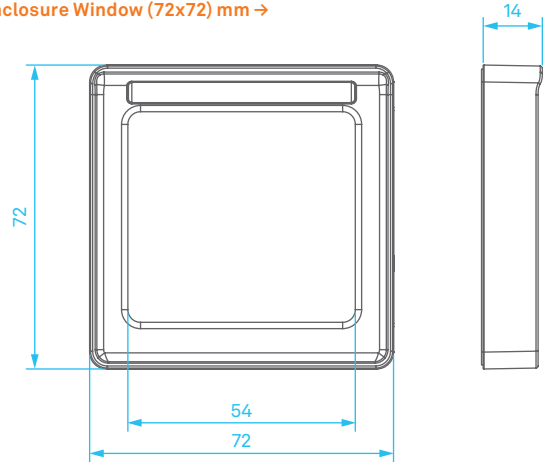
Cut-out for (64x64) mm →



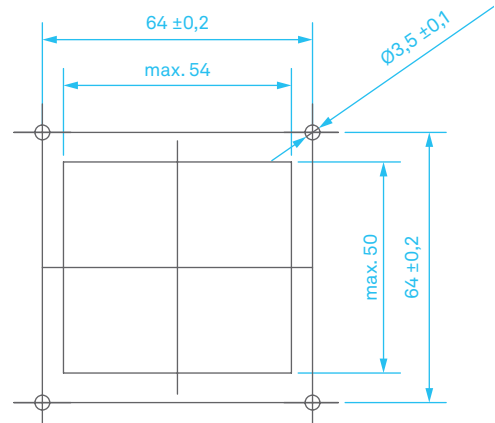
Marking Inlay for (64x64) mm →



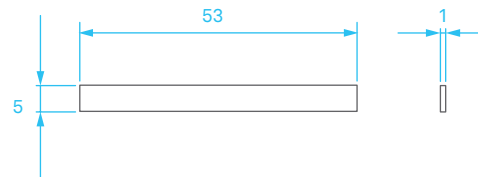
Enclosure Window (72x72) mm →



Cut-out for (72x72) mm →



Marking Inlay for (72x72) mm →



Declaration of Conformity

BARTEC

BARTEC GmbH
Max-Eyth-Str. 16
97980 Bad Mergentheim
Germany

Tel.: +49 7931 597-0
info@bartec.com

bartec.com