

RDA 01 monitoring electronics without locating



- Rapid detection of leakages
- No system calibration required
- Can be combined with sensor cable and point sensor

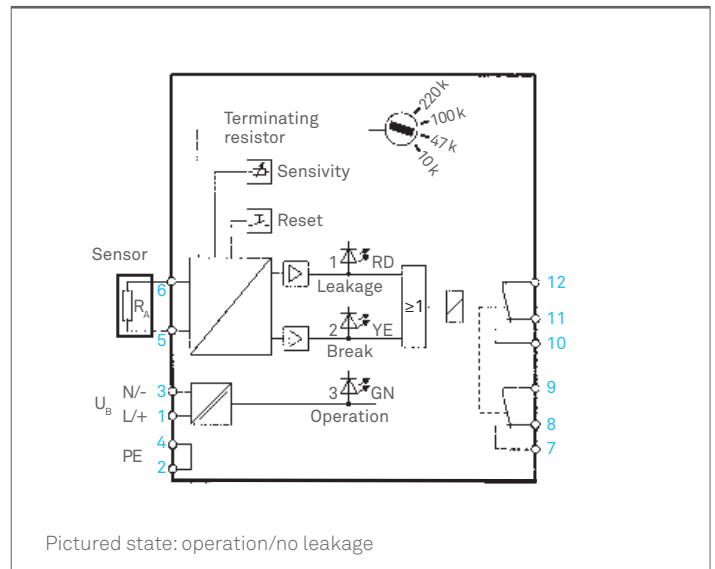
The RDA monitoring electronics can be easily integrated into the building surveillance. The system detects quickly and reliably even small quantities of liquid leaks. An optical and acoustic alarm signal is given. At the same time floating contacts are set for signals to the building services management and control tasks. The messages are saved until the reset via a push button or voltage disconnection. If the leak continues, the messages are reset. The max.monitoring length is 1,000 m.

Signal	optical: LED displays; operation/alarm/rupture acoustic: piezoelectric buzzer
Ambient temperature	-25 °C to +60 °C
IP Code	IP 20
Signal	alarm: LED red (1), break: LED yellow (2), operation: LED green (3)

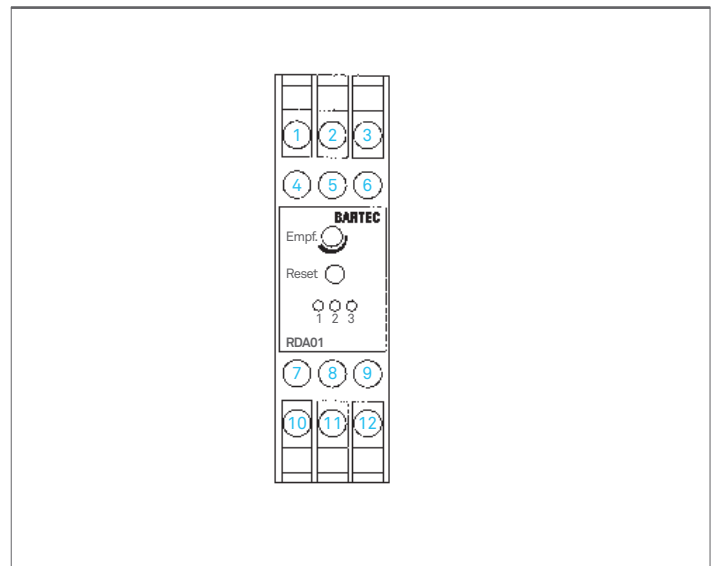
Ordering information

RDA, AC 230 V	17-85F4-2322
RDA, DC 24 V	17-85F4-2422

Connection/Function



Terminal assignment



Technical data

Model	clip-on enclosure for mounting rail TS 35
Dimensions (W x H x D)	22.5 mm x 82 mm x 101 mm
Inputs	Voltage supply Type 2322: AC 230 V/50 to 60 Hz/2.4 VA Type 2422: DC 24 V/0.6 W Sensor via two-wire lead Sensor cable length: max. 1,000 m Point sensors: max. 50 pcs
Outputs	Group alarm relay, two change-over contacts 0.25 A at AC 230 V/1 A at DC 24 V
Memory	Alarm/rupture relay memory
Measurement method	conductive (conductive liquids > 2 µS/cm)
Self-monitoring	sensor rupture and power failure
Operating elements	reset button