

# EVFG

## Tubular LED lighting fixture



**The Type EVFG LED tubular luminaire is an explosion protected item with LED lighting source. It is used to illuminate operating and storage facilities in potentially explosive areas, and may be used in Zones 1, 2 as well as 21 and 22.**

The luminaire may be designed with type of protection “Ex d” or “Ex de” (increased safety with separate connection space) in a 1-lamp or 2-lamp version. For the electrical connection, two threaded holes are provided to house the cable glands or blanking plugs, approved for the explosion protected area (“Ex d” – ¾” NPT / “Ex de” – M25x1.5), whereby the second hole for possible through-wiring is sealed with a blanking plug in the factory. Diverse mounting accessories make it possible to install the luminaire with wall or ceiling mounting, pole mounting or pendant mounting. In addition to normal lighting, there is also the option of use as an emergency light fitting, providing emergency lighting for up to 2 or 3 hours.

**Reference standards**

Directive 2014/34/EU	
Execution	Ⓜ II 2G Ex db op is IIC T6 Gb Ⓜ II 2G Ex db eb op is IIC T6 Gb Ⓜ II 2D Ex op is tb IIIC T85 °C Db
Rules of compliance	EN/IEC 60079-0; EN/IEC 60079-1; EN/IEC 60079-7; EN/IEC 60079-31; EN/IEC 60079-28
EU Type-Examination Certificate	INERIS 12 ATEX 0023X
Protection degree	IP66
Ambient temperature	-20 °C ÷ +60 °C
Other available certificates	IECEX: IECEX INE 13.0055X INMETRO: CEPEL 13.2291X ECASEx: 23-06-22481/Q23-06-048569/NB0002

**Mechanical characteristics**

Body	marine grade copper free aluminium
Tubes	high-temperature resistant borosilicate glass tube
Painting	external epoxy powders grey RAL9006 colour
Screws	external stainless steel
Gaskets	silicon rubber O-Ring
Cable entry	3/4" NPT size threaded (Ex-d) ISO-M25 size threaded (Ex-de)

**Installation**

hazardous areas - Zone 1 / 2 (Gases) - Zone 21 / 22 (Dusts)

**Classification**

Group II - Category 2G 2D

**Electrical characteristics for LED strips lamp**

Power Supply	220÷240 V 50/60 Hz cos ρ ≥ 0.90 - EVFG*L*06600 cos ρ ≥ 0.95 - EVFG*L*13200
Internal Wiring	105 °C resistant silicon rubber insulation cables
Lamp source	LLE 55mm LV ADV5 LED module CRI 80 CCT 5000K Lifetime: > 72000 hours L80F10 @ta25/40 > 71000 hours L80F10 @ta60 Efficiency: 191 lm/W
Terminals	EVFGL up to 4 mm <sup>2</sup> cables EVFGDL up to 2,5 mm <sup>2</sup> cables
Emergency Unit	Emergency unit composed of inverter charger and Ni-Cd battery pack with autonomy up to 180 min. LED power-on indicating lamp provided - (inverter) 220÷240 V 50/60 Hz

**On Request Accessories**

- Pole mounting kit complete with stainless steel hardware
- Ceiling mounting kit complete with stainless steel hardware
- Pendant mounting kit complete with stainless steel hardware
- Wall/Structure mounting kit complete with stainless steel hardware
- External painting colour on request
- Electronic ballast with voltage supply different than standard
- Protection guard

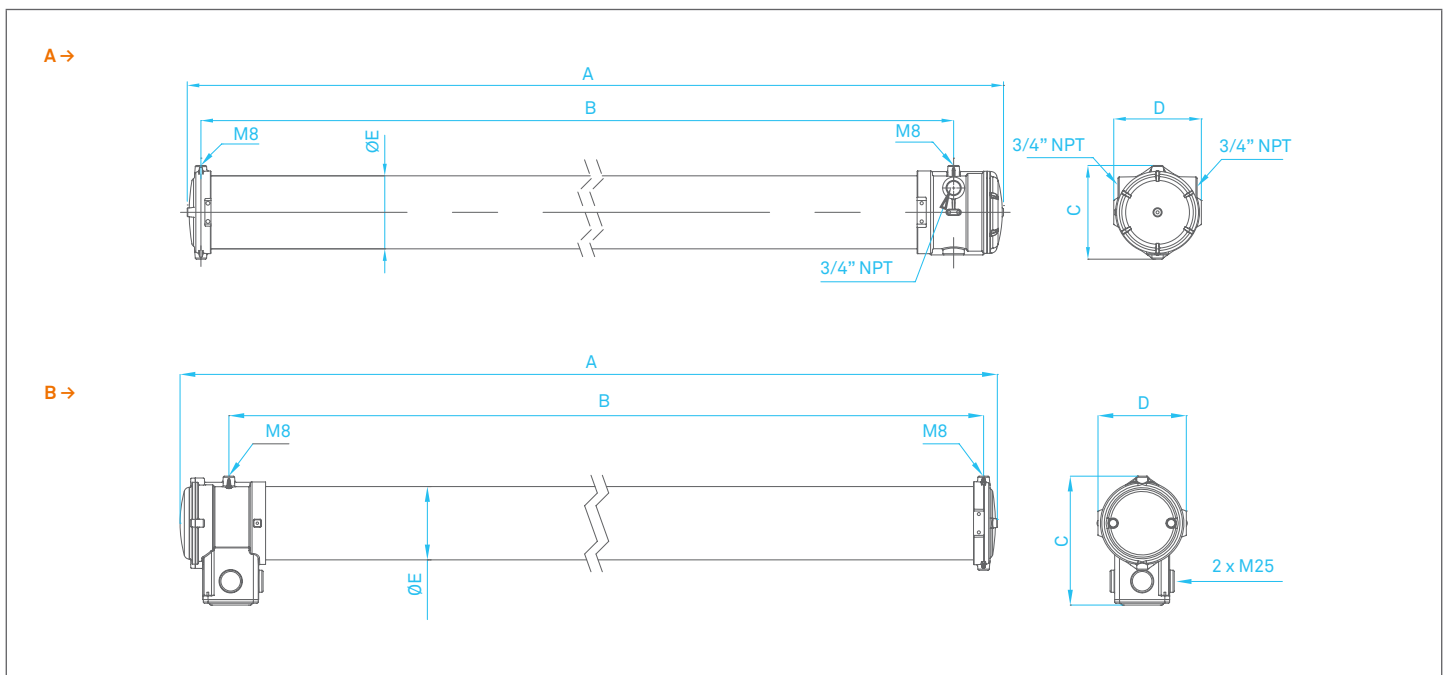


**Technical data**

Code	Lamp	Power supply [Vac]	Power supply [Vdc]	Output [lm]	Total Power	Emergency unit	Dimensionally equivalent to
Lighting fixtures for led stripes lamp - cct: 5000 K / CRI: 80							
EVFG*L06600	66 LED / 22 W	220-240	176-280	3263	23 W	-	2*18 W fluo. L = 745 mm
EVFG*L13200	132 LED / 44 W	220-240	176-280	6764	45 W	-	2*36 W fluo. L = 1345 mm
EVFG*LE06600	66 LED / 22 W	220-240	176-280	3263	23 W	4.8 V - 4 Ah autonomy 180 min.	2*18 W fluo. L = 745 mm
EVFG*LE13200	132 LED / 44 W	220-240	176-280	6764	45 W	6.0 V - 4 Ah autonomy 180 min.	2*36 W fluo. L = 1345 mm

\*D: for ExD version (Ex. EVFGD132LED\_T) - Without "D" for Exde version (Ex. EVFGL#13200)  
NOTE: IN EMERGENCY MODE LIGHTING FIXTURE OPERATES WITH 66 LED UNITS AS STANDARD

**Reference details**

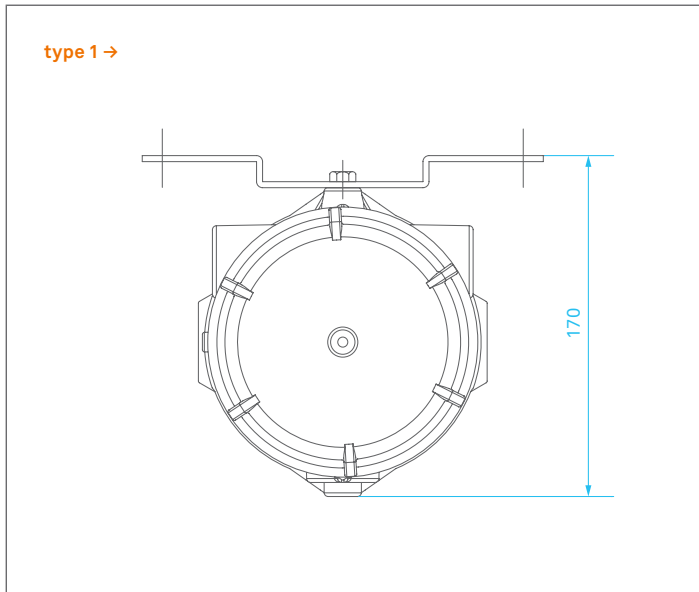


**Technical features**

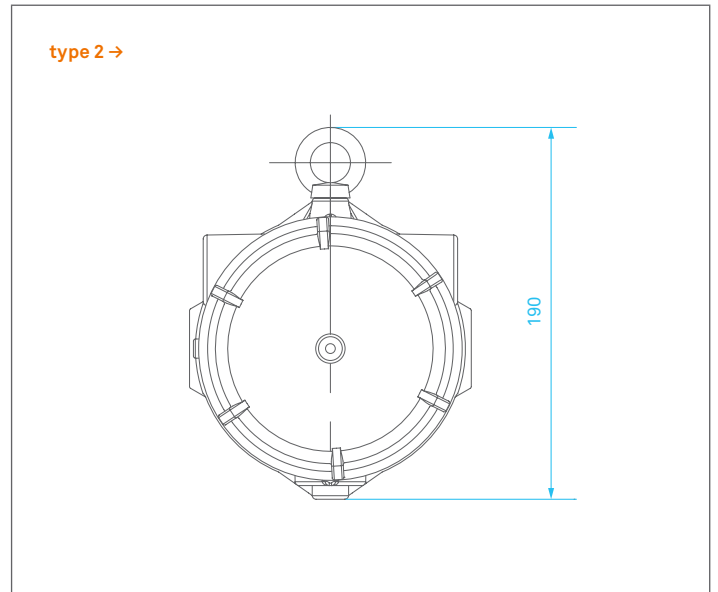
Code	A [mm]	B [mm]	C [mm]	D [mm]	ØE [mm]	Weight [kg]	Cable entry	Detail
EVFGdL#06600	745	640	154	145	120	5.50	2 x 3/4"	A
EVFGdLE#06600	745	640	154	145	120	5.50	2 x 3/4"	A
EVFGdL#13200	1345	1240	154	145	120	9.00	2 x 3/4"	A
EVFGdLE#13200	1345	1240	154	145	120	9.00	2 x 3/4"	A
EVFGL#06600	745	640	218	145	120	6.50	2 x M25	B
EVFGL#06600	745	640	218	145	120	6.50	2 x M25	B
EVFGL#13200	1345	1240	218	145	120	10.00	2 x M25	B
EVFGL#13200	1345	1240	218	145	120	10.00	2 x M25	B

## EVFG Installation and mounting details

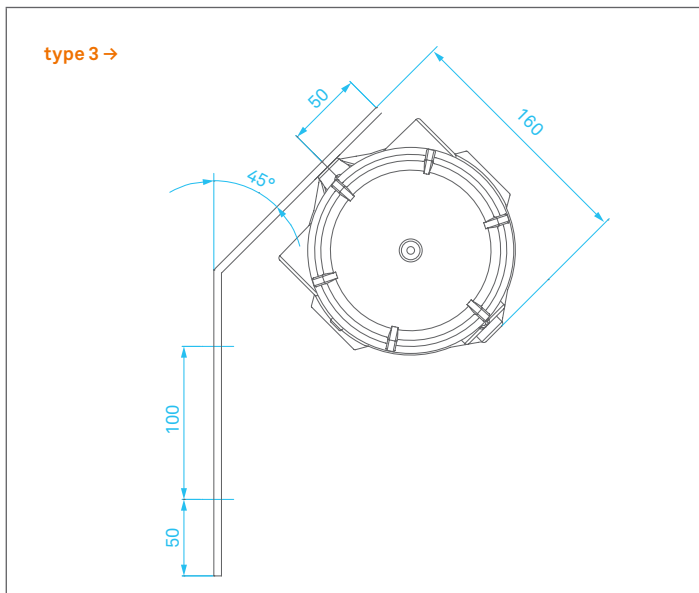
### Ceiling mounting



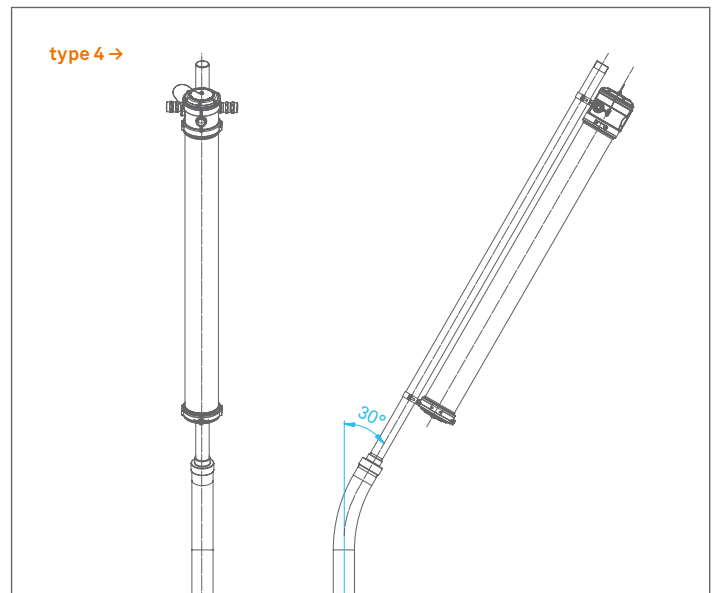
### Pendant mounting



### wall/structure mounting



### Pole mounting - assembling detail with pole (Typical)

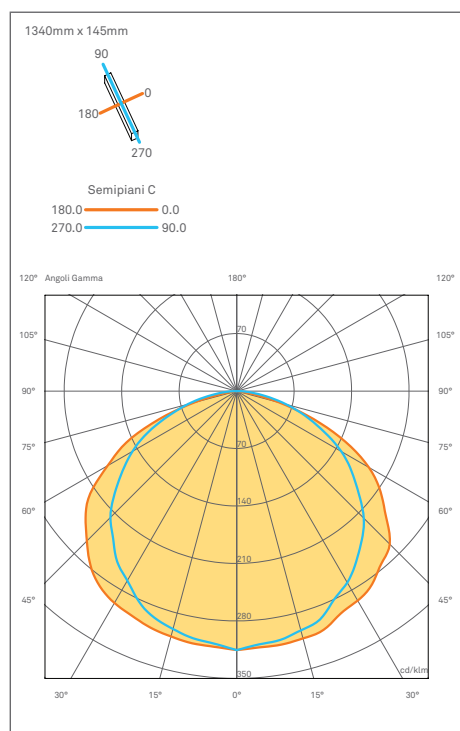


### On request accessories

Code	Description	Installation	Material
GUARDEVFG18	Protection guard for LED lighting fixture size 66	–	H.D. Galvanized steel
GUARDEVFG36	Protection guard for LED lighting fixture size 132	–	H.D. Galvanized steel
GUARDEVFG18IX	Protection guard for LED lighting fixture size 66	–	Stainless steel
GUARDEVFG36IX	Protection guard for LED lighting fixture size 132	–	Stainless steel
KITFL#01000	Ceiling mounting kit C/W hardware	Type 1	Stainless steel
KITFL#02000	Pendant mounting kit C/W hardware	Type 2	Galvanized steel
KITFL#03000	Wall/structure mounting kit C/W hardware	Type 3	Galvanized steel
KITFL#48000	Pole mounting kit (size 1 1/2" dia.) C/W hardware	Type 4	Galvanized steel
KITFL#50000	Pole mounting kit (size 2" dia.) C/W hardware	Type 4	Galvanized steel

## EVFG Polar diagrams – photometric data

### EVFG132LED\_T



Luminaire Flux	6764 lm
Luminaire Power	45.00 W
Efficacy	150 lm/W
Lamps Flux	8780 lm
Position	C=0.00 G=0.00

**REMARK:**

Due to the development of the national and international specifications and of the technology, the above technical characteristics showed on this bulletin can be considered as binding on our confirmation only.