

EVAC-LED

Lighting fixtures for led lamps



The Type EVAC-LED pendant light fitting designed for potentially explosive atmospheres in Zones 1, 2 as well as 21 and 22 is characterized by its robust design, a high IP protection type and a large ambient temperature range.

This especially is the reason these lights are used in climatic regions where extremely rough ambient conditions prevail. Typical application areas are for offshore oil and gas drilling installations, and for the industrial and chemicals sector, but also wherever flammable dust arises. The light is designed with type of protection “Ex d”.

As more efficient lighting technology has been developed, the EVAC light series now became available with high performance COB LED modules, with total power consumption of up to 93W. These are ideal for replacing high pressure lamps, and keep costs down due to their low energy consumption and long service life. For the electrical connection, depending on the design, one 1” or two ¾” NPT threaded holes are provided on the light to house the cable glands or blanking plugs, approved for the explosion protected area. With a bracket, the Type EVAC pendant light fitting is suitable for wall / ceiling / pendant as well as pole mounting. Various mounting kits are available as accessories.

Reference standards

Directive 2014/34/EU	
Execution	Ⓜ II 2G Ex db IIC T6/T5/T4 Gb Ⓜ II 2D Ex tb IIIC T85/100/135°C Db, IP66
Rules of compliance	EN/IEC 60079-0; EN/IEC 60079-1; EN/IEC 60079-31
EU Type-Examination Certificate	INERIS 01 ATEX 0054X
Protection degree	IP66
Ambient temperature	-60 °C ÷ +60 °C EVAC201L- ... models -40 °C ÷ +60 °C EVAC501L-... models
Other available certificates	IECEx: IECEx INE 13.0075X INMETRO: CEPEL 14.2311X ECASEx: 23-06-22481/Q23-06-048569/NB0002

Mechanical characteristics

Body	marine grade copper free aluminium (control gear & lamp body)
Diffuser	high-temperature resistant borosilicate glass
Painting	external epoxy powders grey RAL-9006 colour
Screws	external stainless steel
Gaskets	silicon rubber
Cable entry	2 threaded holes dia. 3/4" NPT (EVAC...L-...) 1 threaded hole dia. 1" NPT (EVAC...LP-...)
Protection guard	galvanized steel

Installation

hazardous areas - Zone 1 / 2 (Gases) - Zone 21 / 22 (Dusts)

Classification

Group II - Category 2G 2D

Electrical characteristics

Power supply	100-277 Vac driver 50/60 Hz 127-250 Vdc driver (except C1, C3 and LPE models only) 127-277 Vdc driver (EVAC..L-C3.. model only)
Input surge protection	DM 4kV, CM 6kV (EVAC201L.. models) DM 6kV, CM 10kV (EVAC501L-C3.. / EVAC501LP-C3.. / EVAC501L-H...) DM 4kV, CM 4kV (EVAC501L-C4.. model only)
Dimmeration device	0-10V (EVAC201L-C2.. / EVAC501LP-C2..) 1-5V / 1-10V / 10V / PWM/3 (EVAC501L-C3.. / EVAC501LP-C3..) 0-10V / PWM (EVAC501L-C4..)
Lamp source	COB - LUMILEDS CRI 70, CCT 5700K. Lifetime: > 84.000 hours L80B20 @Ta60
Internal wiring	high-temperature resistant silicon rubber insulation cables
Terminals	spring type suitable up to 4 mm ² cables loop-in / loop-out connections provided
Optic	symmetrical beam vertex at 120 deg approx
Emergency unit	emergency unit composed of inverter charger and Ni-Cd battery pack 4 Ah 3,6 V autonomy 180 min. LED power-on indicating lamp provided - (inverter) 220-240V 50/60Hz

On Request Accessories

- External painting colour on request
- Threaded cable entry different than standard



Technical data

CODE	Nom. power [W]	Temperature class (gas)	Temperature class (dusts)	Actual output (Lm)	Effic. [lm/W]	Total power [W]	Protection guard	Cable entry size
Led lighting fixtures								
EVAC201LP-C1760	24	T6 / T5 / T4	T 85 °C / T 105 °C / T 135 °C	3570	132.30	27	-	1 x 1"
EVAC201LP-C176G							included	
EVAC201L-C1760	36	T6 / T5 / T4	T 85 °C / T 105 °C / T 135 °C	5250	128.10	41	-	2 x ¾"
EVAC201L-C176G							included	
EVAC201LP-C2760	60	T4	T 135 °C	7505	114.00	66	-	1 x 1"
EVAC201LP-C276G							included	
EVAC201L-C2760	88	T4	T 135 °C	11580	125.00	93	-	2 x ¾"
EVAC201L-C276G							included	
EVAC501LP-C3760	121	T4	T 135 °C	15000	125.31	130	-	2 x ¾"
EVAC501LP-C376G							included	
EVAC501L-C3760	172	T4	T 135 °C	19400	113.98	192	-	2 x ¾"
EVAC501L-C376G							included	

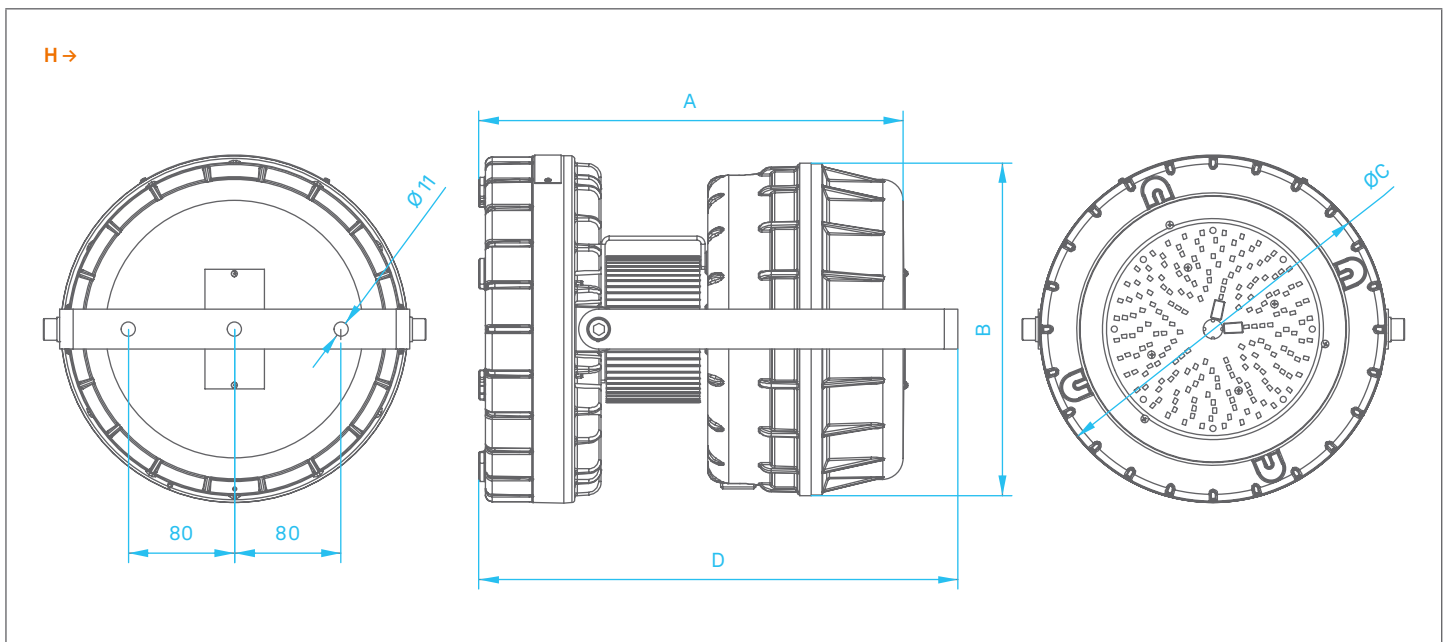
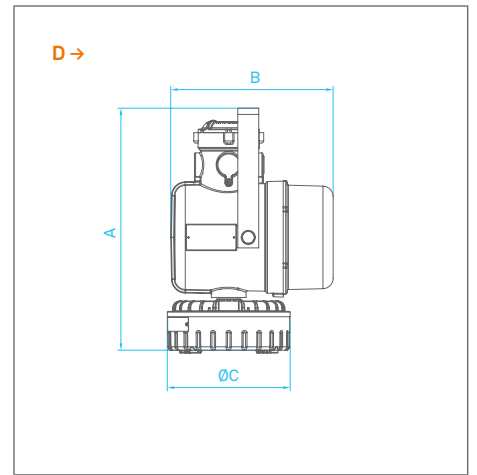
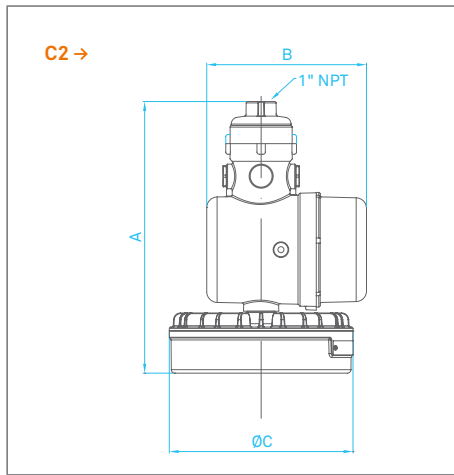
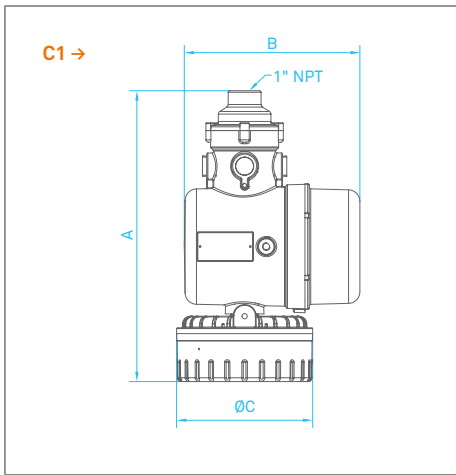
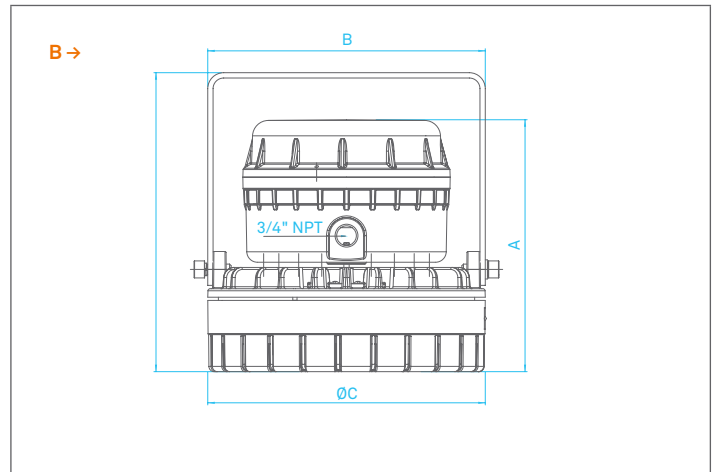
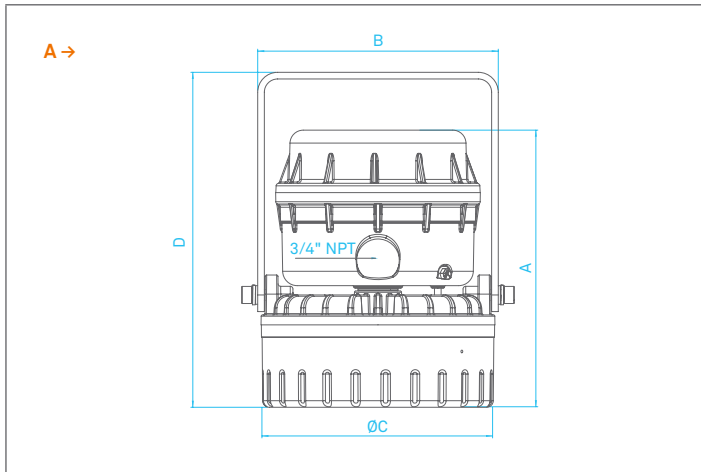
Note: LED lens lamp included along with lighting fixtures

Emergency led lighting fixtures							
CODE	Nom. power [W]	Temperature class (gas)	Temperature class (dusts)	Nominal output (lm)	Total power [W]	Protection guard	Emergency unit
EVAC201LPE#C1760	24	T5 / T4	T85 °C / T105 °C	3572	27	-	autonomy: 180 min
EVAC201LPE#C1760G						included	

Technical features

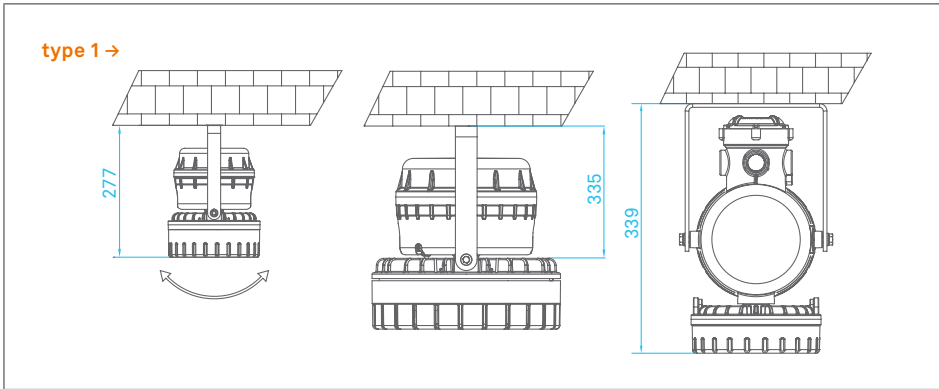
CODE	A [mm]	B [mm]	ØC [mm]	D [mm]	Weight [Kg]	Cable entry	Detail
EVAC201LP-C1760	363	238	176		7	1 "	C1
EVAC201LP-C176G					7,2		
EVAC201LP-C2760	363	238	176		7	1"	C1
EVAC201LP-C276G					7,2		
EVAC201L-C1760	195	181	176	238	4,5	½"	A
EVAC201L-C176G					4,8	¾"	
EVAC201L-C2760	195	181	176	238	4,5	½"	A
EVAC201L-C276G					4,8	¾"	
EVAC201LPE-C1760	347	233	176		6,6	2 x 3/4"	D
EVAC201LPE-C1760G					6,9		
EVAC501LP-C3760	377	233	261		10,5	1 x 1"	C2
EVAC501LP-C376G					10,7		
EVAC501LP-C4760	377	233	261		10,5	1 x 1"	C2
EVAC501LP-C476G					10,7		
EVAC501L-C3760	227	261	261	270	7,8	2 x ¾"	B
EVAC501L-C376G					8,3		
EVAC501L-C4760	227	261	261	270	7,8	2 x ¾"	B
EVAC501L-C476G					8,3		
EVAC501L-H1760	320	263	261	360	12	2 x ¾"	H
EVAC501L-H1760G					12,2		
EVAC501L-H2760	320	263	261	360	12	2 x ¾"	H
EVAC501L-H2760G					12,2		

Reference details

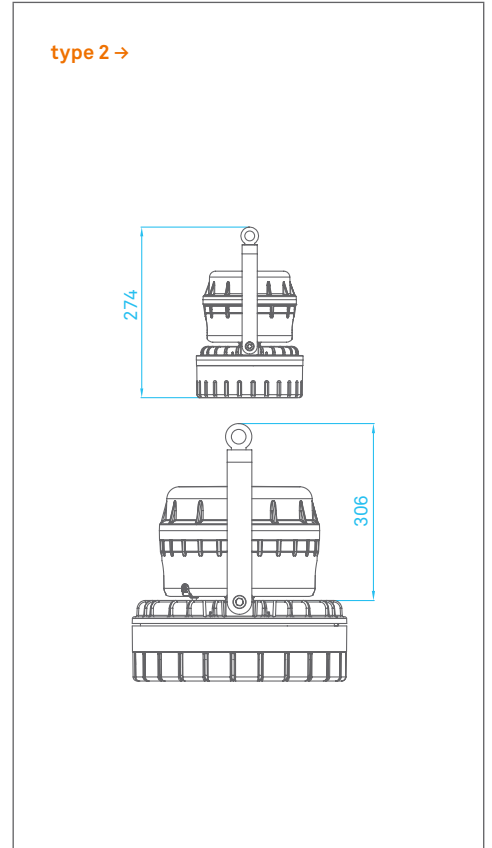


EVAC-LED Installation and mounting details

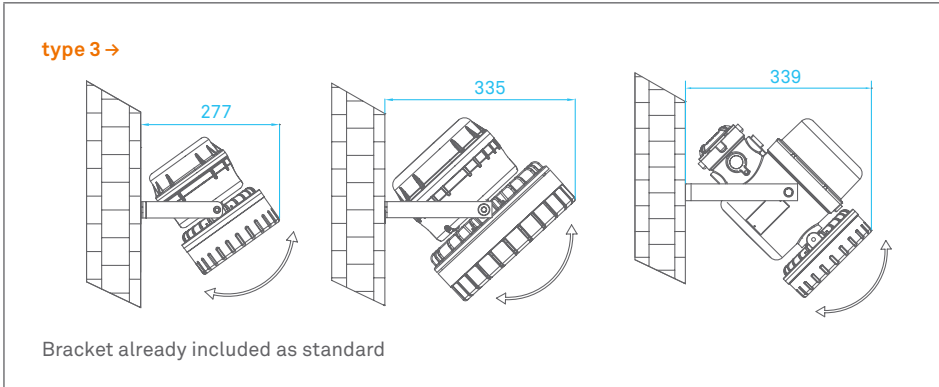
Ceiling mounting



Pendant mounting

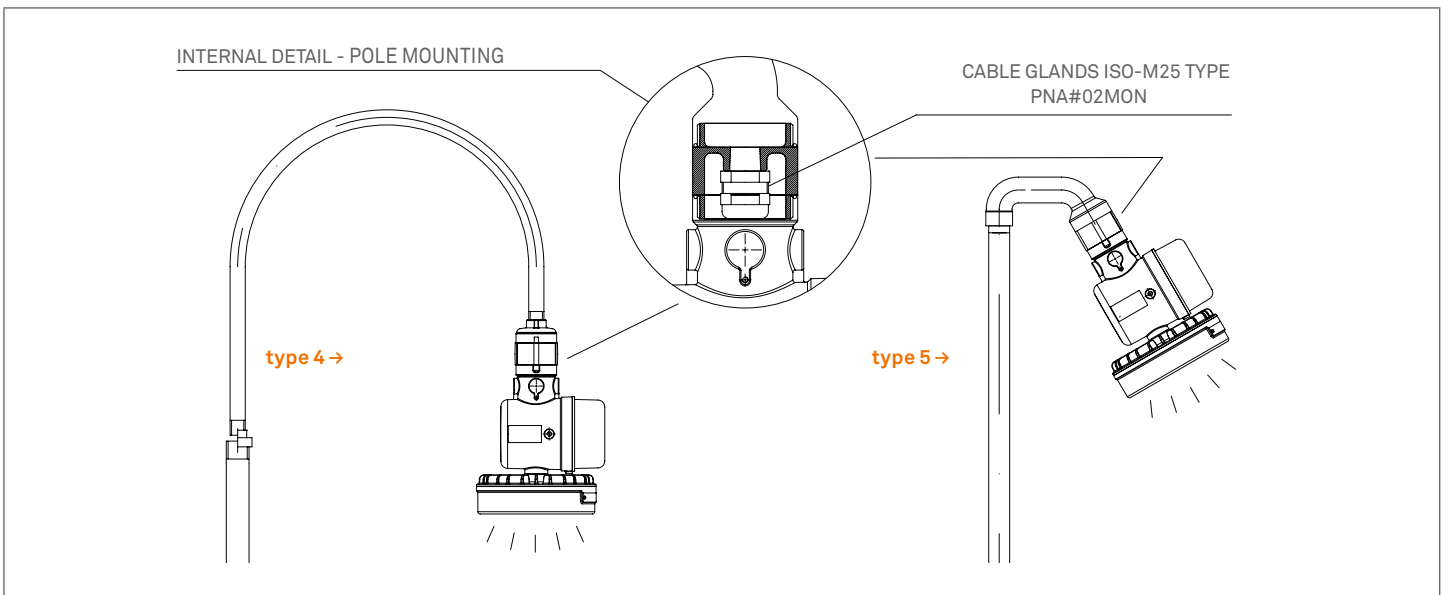


Wall/structure mounting

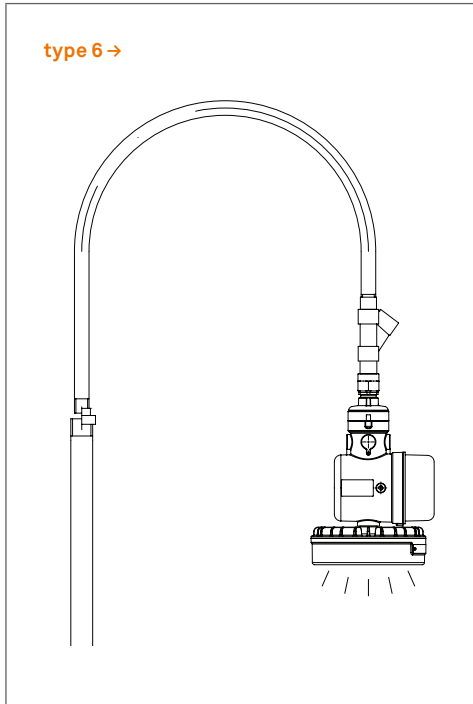


EVAC-LED Polar diagrams – photometric data

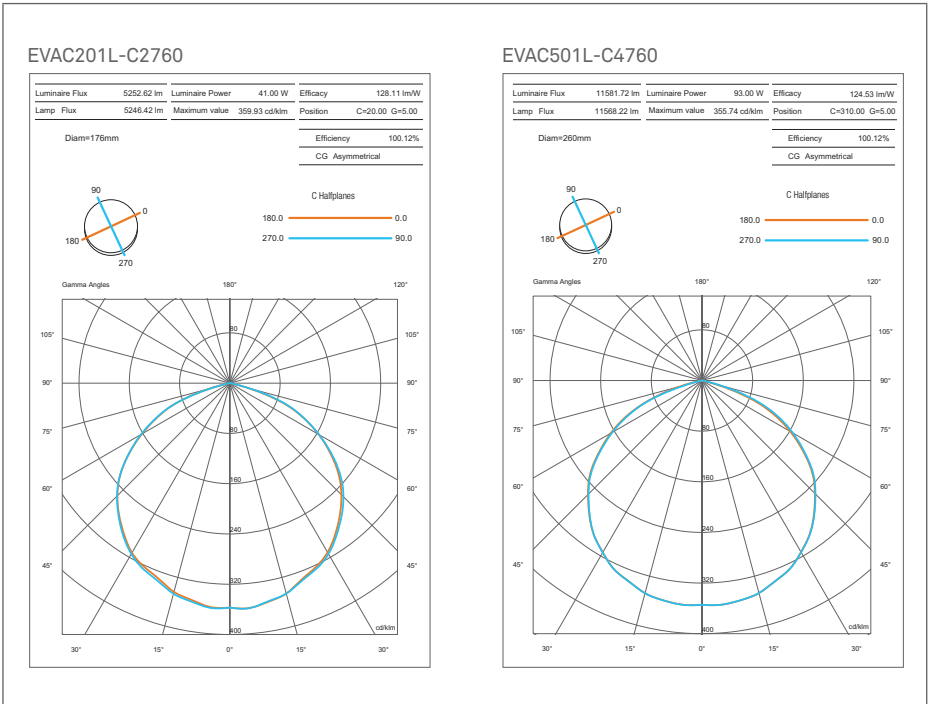
Pole Mounting – Without add sealing fitting



Pole Mounting – With add sealing fitting



EVAC-LED Polar diagrams – photometric data



EVAC-LED On request accessories

CODE	Description	Installation	Material
KITFL#06000*	Ceiling mounting kit C/W hardware	type 1	Stainless steel
KITFL#02000*	Pendant mounting kit C/W hardware and eye-bolts	type 2	Galvanized steel
KITFL#40000*	45° Wall/structure mounting kit C/W hardware	type 3	Stainless steel
KITFL#12000**	Pole mounting kit - without sealing fittings	type 4	Aluminium
KITFL#13000**	25° Pole mounting kit with bracket - without sealing fittings	type 5	Aluminium
KITFL#14000**	Pole mounting kit - with sealing fittings (EYS2 + NP2 + RMF2)	type 6	Aluminium

* suitable for all lighting fixtures shown on reference details

** only for lighting fixtures shown on reference details C1 - C2 (EVAC..LP- models)

REMARK:

Due to the development of the national and international specifications and of the technology, the above technical characteristics showed on this bulletin can be considered as binding on our confirmation only.