

Quick Start Guide

BARTEC SP9^{EX1} Smartphone **BARTEC SC9^{EX1} Smartscanner** **Type 17-S19*-****/*******



TABLE OF CONTENT

1	Basic safety information	3
1.1	Information on this Quick Start Guide	3
1.2	Handling the Device	5
1.3	Intended Use	6
1.4	Duties of the operator	6
1.5	Safety information	6
1.6	Maintenance	7
1.7	Explosion protection marking and standards	7
1.8	Warranty	8
1.9	Co-applicable documents	9
2	Regulatory information	9
2.1	Health and safety recommendations	10
2.2	Radio frequency (RF) exposure guideline	12
2.3	SAR	12
2.4	Optical devices	13
2.5	Batteries	14
2.6	Regulatory labels	15
3	Device description	16
3.1	BARTEC SP9 ^{EX1} Smartphone	16
3.2	BARTEC SC9 ^{EX1} Smartscanner	16
3.3	Purpose of use	16
4	Hardware features	17
5	Technical data	20
5.1	Explosion protection BARTEC SP9 ^{EX1} Smartphone	20
5.2	Explosion protection BARTEC SC9 ^{EX1} Smartscanner	21
5.3	Technical specifications	22
5.4	Battery	26
5.5	Device labelling	27
6	Transport and storage	30
6.1	Transport	30
6.2	Storage	30
7	Commissioning and operation	31
7.1	Handling in hazardous areas	32
7.2	First steps	33
7.3	Inserting a Nano SIM card	34
7.4	Inserting/changing the battery	36
7.5	Charging the Device/battery	38
7.6	Scanning (only BARTEC SC9 ^{EX1} Smartscanner)	40
7.7	Cleaning	41
7.8	Troubleshooting and support	41
8	Disposal	41
9	Declaration of Conformity	42

Subject to technical changes. Changes, mistakes, and printing errors do not substantiate any claim to damages.

1 Basic safety information

1.1 Information on this Quick Start Guide

Read carefully before putting the devices into operation

The Quick Start Guide is a fixed part of the BARTEC SP9^{EX1} Smartphone and BARTEC SC9^{EX1} Smartscanner (hereinafter referred to as "Device"). It must be kept in the direct vicinity of the Device. Installation, operations, and service staff must also have access to the Quick Start Guide at all times.

The Quick Start Guide contains important information, safety instructions, and test certificates, which are necessary for the Device to function properly and safely.

The Quick Start Guide is directed at all individuals concerned with the commissioning, handling, and servicing of the Device. The applicable guidelines and standards for areas with gas and dust atmosphere (EN/IEC 60079-17, EN/IEC 60079-19) must be observed when conducting this work.

Knowledge of the safety and warning information in this Quick Start Guide and the strict compliance with it is essential for safe installation and commissioning. Accidents, injuries, and material damage can be avoided by careful handling and systematically following the instructions.

The examples, tables, and figures provided in this Quick Start Guide are for illustration purposes. Due to the different requirements of the respective application, BARTEC cannot assume responsibility or liability for actual use based on the examples and figures.

BARTEC reserves the right to carry out technical changes at any time.

In no event will BARTEC be responsible or liable for indirect or consequential damages resulting from the use or application of this Quick Start Guide.

Safety and warning information is particularly emphasised in this Quick Start Guide and marked by symbols.



DANGER/DANGER

DANGER describes a directly imminent danger. If not avoided, death or severe injury will be the consequence.

DANGER désigne un danger imminent. Si ce danger n'est pas évité, il peut entraîner la mort ou des blessures très graves.



WARNING/AVERTISSEMENT

WARNING describes a possibly imminent danger. If not avoided, death or severe injury may be the consequence.

AVERTISSEMENT désigne un danger potentiel. S'il n'est pas évité, il peut entraîner la mort ou des blessures très graves.



CAUTION/PRUDENCE

CAUTION describes a possibly imminent danger. If not avoided, mild or slight injury may be the consequence.

PRUDENCE désigne un danger potentiel. S'il n'est pas évité, il peut entraîner des blessures légères ou mineures.



ATTENTION/ATTENTION

ATTENTION describes a possibly damaging situation. If not avoided, the plant or objects in its vicinity may be damaged.

ATTENTION désigne une situation potentiellement dangereuse. Si elle n'est pas évitée, l'installation ou quelque chose dans son environnement peut être endommagé.



Important information on effective, economical, and environmentally compliant handling.

1.1.1 Languages

The Quick Start Guide is available in German and English. Translation to other languages is available upon request.

1.1.2 Changes in the document

BARTEC reserves the right to change the content of this document without notice. In the case of legal disputes, our General Terms and Conditions for Deliveries and Services apply

(bartec.com/general-terms-and-conditions-for-deliveries-and-services).

The current versions of the datasheets, certificates, and declarations of conformity can be downloaded from bartec.com.

1.1.3 Registered trademarks

Bluetooth®	is a registered trademark of Bluetooth Special Interest Group
Android™	The "Android" name, the Android logo, the Google Play trademark and other Google trademarks are the property of Google LLC
Wi-Fi	is a registered trademark of Wi-Fi Alliance, an association of manufacturers founded in 1999

1.2 Handling the Device

The Device, which is described in this Quick Start Guide, underwent quality and functional tests before leaving the factory to ensure it functions properly and safely. To maintain these conditions and ensure the correct and safe operation of the Device, it may only be transported, stored, and operated in the manner described by the manufacturer.

1.3 Intended Use

The Device is a handheld piece of electrical equipment. It serves the purpose of the mobile recording, processing and/or radio transmission of data within hazardous areas. It can be used exclusively in combination with devices that comply with the requirements in the overvoltage category I. The admissible operating data of the device must be considered.

Any other use is unintended and may lead to damage and accidents. The manufacturer shall not be liable for any use extending beyond the Intended Use.

1.4 Duties of the operator

The operator undertakes to only permit persons to work with the Device who are acquainted with the basic regulations on safety and accident prevention, and who have been inducted in the use of the Device, have read and understood the documentation, the safety chapter and the warnings.

The operator checks that the safety and accident prevention regulations applicable to the respective case of use have been observed.

1.5 Safety information

- Do not dry wipe or clean the Device in hazardous areas
- Do not open the Device in hazardous areas
- Do not replace or charge battery in hazardous areas
- General statutory provisions or guidelines on occupational health and safety, accident prevention provision, and environmental protection laws must be heeded, e.g. Operational Safety Ordinance (BetrSichV) and nationally applicable ordinances
- Use suitable clothing and shoes with respect to the danger of hazardous electrostatic charges
- Avoid heat influences outside the specified temperature range.
- Protect the Device from external influences! Do not expose the Device to caustic/ aggressive liquids, vapours or spray
- In the case of malfunction or damaged enclosure and/or display, remove the Device immediately from the hazardous area and bring it to a safe place

1.6 Maintenance

The pertinent installation and operating provisions for electrical systems must be observed! (e.g. Directive 2014/34/EU, BetrSichV, nationally applicable ordinances EN/IEC 60079-14 and the series DIN VDE 0100)!

Observe the national waste disposal regulations when disposing of the Device.

1.6.1 Servicing

Regular servicing of the Device is not necessary if operated correctly under consideration of the assembly instructions and environmental conditions.

1.6.2 Inspection

According to EN/IEC 60079-17 and EN/IEC 60079-19 the operator of electrical systems in hazardous areas is obliged to have these inspected by an electrician to ensure correct condition.

1.6.3 Repairs

Repairs to explosion-protected devices may only be performed by authorised personnel with original spare parts and according to the state of the art.

Therefore, all repairs to the Device have to be conducted by BARTEC.

Contact information and instructions for repair requests and processing can be found at bartec.com/service-support/returns-repair under "Automation and Enterprise Mobility".

1.6.4 Commissioning

It must be checked that all components and documents are available before commissioning.

1.7 Explosion protection marking and standards

Labels with explosion protection marking and certificate number are attached to the Device. Further details on the content of the labels can be found in chapter [5 Technical data](#).

The standards and guidelines for devices and protected systems for intended use in hazardous areas, which are applicable to the Device can be found on chapter [9 Declaration of Conformity](#).

1.8 Warranty

WARNING

No changes or retrofits may be made without the written consent of the manufacturer.

If non-specified components are used, the explosion protection will no longer be guaranteed. In the case of externally procured parts, it is not guaranteed that these have been designed and manufactured in accordance with their load and requisite safety.

- ▶ Contact the manufacturer before any changes or retrofits to receive a release. Only use original spare and wearing parts.



AVERTISSEMENT

Aucune modification ou transformation ne doit être effectuée sans l'autorisation écrite du fabricant.

En cas d'utilisation de pièces non spécifiées, la protection contre les explosions n'est plus garantie. Il n'est pas garanti que les pièces d'origine externe soient conçues et fabriquées conformément aux exigences et à la sécurité.

- ▶ Avant toute modification ou transformation, veuillez contacter le fabricant et obtenir son autorisation. N'utiliser que des pièces de rechange et d'usure d'origine.



BARTEC shall assume the complete warranty exclusively for spare parts ordered from BARTEC.

BARTEC's General Terms and Conditions for Deliveries and Services (bartec.com/general-terms-and-conditions-for-deliveries-and-services) shall apply in principle. The duration of the manufacturer warranty is two (2) years for the Device and six (6) months for the battery and accessories starting from the date of transfer of risk, as defined in BARTEC's General Terms and Conditions.

The manufacturer warranty covers all parts of the delivery and shall be restricted to the free replacement or repair of the defective parts in our repair centers. For this purpose, any packaging supplied must be kept where possible. In the case of warranty, the goods must be returned to BARTEC after written agreement using the return merchandise authorization (RMA) form.

This Quick Start Guide contains all important information on the subject of explosion protection.

1.9 Co-applicable documents

Document	Explanation
Data sheet BARTEC SP9 ^{EX1} Smartphone BARTEC SC9 ^{EX1} Smartscanner	This technical data sheet contains the most important explosion-relevant technical data as well as general technical data



All documents can be found at bartec.com

2 Regulatory information

All BARTEC devices are designed to be compliant with the rules and regulations of the location where they are sold and will be labeled as required. Any changes or modifications to BARTEC equipment, not expressly approved by BARTEC, could void the user's authority to operate the equipment.



CAUTION

Only use BARTEC approved accessories and batteries.
 DO NOT charge the Device or batteries when they are damp or wet.
 All components must be dry before connecting to an external power source.

PRUDENCE

*N'utiliser que des accessoires et des batteries approuvés par BARTEC.
 Ne chargez PAS l'appareil ou les batteries s'ils sont humides ou mouillés.
 Tous les composants doivent être secs avant d'être connectés à une source d'alimentation externe.*

2.1 Health and safety recommendations

CAUTION

In order to avoid or minimize the potential risk of ergonomic injury follow the recommendations below. Consult with your local Health & Safety Manager to ensure that you are adhering to your company's safety programs to prevent employee injury.



PRUDENCE

Il convient de suivre les recommandations suivantes afin d'éviter ou de minimiser les problèmes de santé potentiels sur le lieu de travail. Consultez votre responsable local de la santé et de la sécurité pour vous assurer que vous respectez les règles de sécurité de votre entreprise qui visent à protéger les employés sur leur lieu de travail.

Ergonomic recommendations

In order to avoid or minimize the potential risk of ergonomic injury, always follow good ergonomic workplace practices. Consult with your local Health and Safety Manager to ensure that you are adhering to your company's safety programs to prevent employee injury.

2.1.1 Vehicle installation

RF signals may affect improperly installed or inadequately shielded electronic systems in motor vehicles (including safety systems). Position the Device within easy reach. The user should be able to access the Device without removing their eyes from the road.



Before installing or using the Device in a vehicle, check national and local laws regarding distracted driving.

Safety on the Road

Give your full attention to driving. Obey the laws and regulations on the use of wireless Devices in the areas where you drive. The wireless industry reminds you to use your Device / phone safely when driving.

CAUTION

In order to avoid or minimize the potential risk of ergonomic injury follow the recommendations below. Consult with your local Health & Safety Manager to ensure that you are adhering to your company's safety programs to prevent employee injury.

**PRUDENCE**

Il convient de suivre les recommandations suivantes afin d'éviter ou de minimiser les problèmes de santé potentiels sur le lieu de travail. Consultez votre responsable local de la santé et de la sécurité pour vous assurer que vous respectez les règles de sécurité de votre entreprise qui visent à protéger les employés sur leur lieu de travail.

2.1.2 Restricted use locations

Remember to observe restrictions and obey all signs and instructions on the use of electronic devices in restricted use locations.

2.1.3 Safety in hospitals and aircraft

Mobile devices transmit radio frequency energy that may affect medical electrical equipment and aircraft operation. Mobile devices should be switched off wherever you are requested to do so in hospitals, clinics, healthcare facilities or by airline staff. These requests are designed to prevent possible interference with sensitive equipment.

2.1.4 Medical devices

It is recommended that a minimum separation distance of 20 cm (8 inches) be maintained between a mobile device and a medical devices such as pacemakers, defibrillator, or other implantable devices to avoid potential interference with the medical device. Pacemaker users should keep the Device on the opposite side of the pacemaker or turn OFF the Device if interference is suspected. Consult with your physician or the manufacturer of the medical device before operating the device.

2.1.5 Using the speakers

To prevent possible hearing damage, do not listen at high volume levels for long periods

2.2 Radio frequency (RF) exposure guideline

CAUTION

Reducing RF exposure - Appropriate use

The Device complies with internationally recognized standards related to human exposure to electromagnetic fields.

Use only BARTEC tested and approved accessories to ensure RF exposure compliance.

To satisfy RF exposure requirements, this Device must operate with a minimum separation distance of 1 cm or more from a user's body and nearby persons.



PRUDENCE

Réduction de l'exposition aux radiofréquences - Utilisation appropriée
L'appareil est conforme aux normes internationales reconnues en matière d'exposition des personnes aux champs électromagnétiques. N'utilisez que des accessoires testés et approuvés par BARTEC pour garantir la conformité de l'exposition aux radiofréquences.

Pour satisfaire aux exigences en matière d'exposition aux radiofréquences, cet appareil doit fonctionner à une distance minimale de 1 cm ou plus du corps de l'utilisateur et des personnes se trouvant à proximité.

2.3 SAR

The Device is a radio transmitter and receiver. It is designed and manufactured not to exceed the emission limits for exposure to RF energy recommended by the Council of the European Union (CE). The exposure standard for mobile devices employs a unit of measurement known as the specific absorption rate (SAR).

The SAR limit recommended by the Council of the European Union is 2.0W/kg averaged over 10 g of actual tissue.

The SAR value measured for the Devices:

CE	Highest Head SAR 10 g	Highest Body SAR 10 g (0.5 cm Gap)
	0.776 W/kg	1.366 W/kg
	Highest Simultaneous Transmission SAR	
	Head SAR 10g	Body SAR 10g
	1.171 W/kg	1.980 W/kg

2.4 Optical devices

2.4.1 Laser

Class 2 laser scanners use a low power, visible light diode. The user should avoid staring directly into the light beam. Momentary exposure to a Class 2 laser is not known to be harmful.

CAUTION

Use of controls or adjustments or performance of procedures other than those specified herein may result in hazardous radiation exposure.



PRUDENCE

L'utilisation de commandes, de réglages ou l'exécution de procédures non spécifiés dans la documentation du produit fournie peut entraîner une exposition dangereuse à la lumière laser.

2.4.2 Scanner labeling

	<p>CAUTION: Laser light emitted from this aperture.</p>

2.4.3 LED

Risk Group classified according to IEC 62471:2006 and EN 62471:2008.

SE55 scanner laser	Pulse Duration: Continuous wave (CW) Risk Group 2 (RG2) - moderate risk
--------------------	--

2.5 Batteries

CAUTION

Risk of explosion if non-BARTEC approved batteries are used. Dispose of batteries according to instructions. Use only BARTEC approved batteries. Accessories which have battery charging capability are approved for use with the following battery model:

Standard battery – Type 17-S1Z0-0020/**** (3.68 V / 4300 mAh)



PRUDENCE

Risque d'explosion si des batteries non approuvées par BARTEC sont utilisées. Éliminez les batteries conformément aux directives en vigueur. N'utilisez que des batteries autorisés par BARTEC.

Les accessoires qui ont la capacité de charger la batterie sont autorisés pour une utilisation avec les modèle de batterie suivants :

*Batterie standard - Type 17-S1Z0-0020/**** (3,68 V / 4300 mAh)*

Battery safety guideline



IMPORTANT SAFETY INSTRUCTIONS – SAVE THESE INSTRUCTIONS

- The battery can only be charged between 0°C and 45°C (32°F and 113°F).
- Do not use incompatible batteries. Use of an incompatible battery may present a risk of fire, explosion, leakage, or other hazard.
- Do not disassemble or open, crush, bend or deform, puncture, or shred. Damaged or modified batteries may exhibit unpredictable behavior resulting in fire, explosion, or risk of injury.
- Severe impact from dropping any battery-operated Device could cause the battery to overheat.
- Do not short circuit a battery or allow metallic or conductive objects to contact the battery terminals.

- Do not modify, disassemble, or remanufacture, attempt to insert foreign objects into the battery, immerse or expose to water, rain, snow or other liquids, or expose to fire, explosion, or other hazard.
- Do not leave or store the equipment in or near areas that might get very hot, such as in a parked vehicle or near a radiator or other heat source. Do not place battery into a microwave oven or dryer.
-
- To reduce the risk of injury, close supervision is necessary when used near children.
- Please follow local regulations to promptly dispose of used re-chargeable batteries.
- Do not dispose of batteries in fire. Exposure to temperatures over 125 °C (257 °F) may cause explosion.
- Seek medical advice immediately if a battery has been swallowed.
- In the event of a battery leak, do not allow the liquid to come in contact with the skin or eyes. If contact has been made, wash the affected area with large amounts of water and seek medical advice.

2.6 Regulatory labels

Currently available regulatory labels can be found in the Settings app under About Phone --> Regulatory labels

3 Device description

3.1 BARTEC SP9^{EX1} Smartphone

The BARTEC SP9^{EX1} Smartphone is a smartphone specifically designed for use in industrial and hazardous areas.



3.2 BARTEC SC9^{EX1} Smartscanner

The BARTEC SC9^{EX1} Smartscanner is a smartphone with an integrated scanner specifically designed for use in industrial and hazardous areas.



3.3 Purpose of use

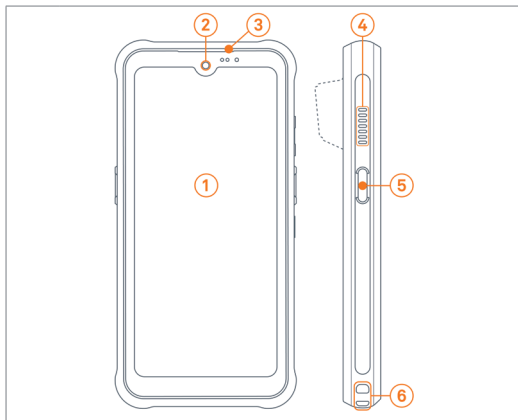
The Devices are handheld electrical devices. They serve the purpose of entry, processing and (radio) transmission of data within hazardous areas.

The Devices are used exclusively in combination with devices which comply with the requirements placed on the overvoltage category I.

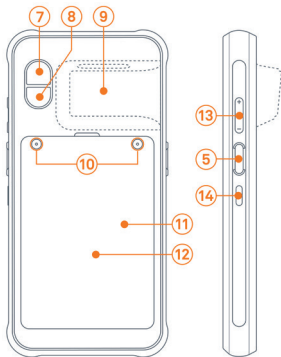
BARTEC SP9^{EX1} Smartphone and BARTEC SC9^{EX1} Smartscanner, Type 17-S19*-**/******* have been developed and certified for use in the following hazardous areas:

- ATEX / IECEx Zone 0, Zone 1 and Zone 21

4 Hardware features

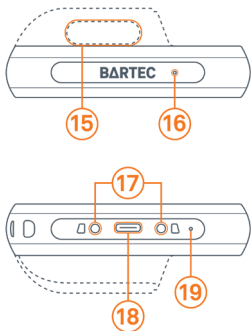


1	6.1" AMOLED display
2	Front camera
3	Earpiece speaker
4	Loudspeaker
5	Programmable buttons
6	Slot for wrist strap/neck strap



7	Main camera
8	Flashlight
9	Scan engine (*)
10	Battery pack lock (Torx T8)
11	Nano SIM card tray (below battery pack)
12	NFC (located on top of the battery)
13	Volume button (-/+)
14	Power button

(*) Only available in SC9^{EXT} Smartscanner



15	Scanner window (*)
16	Top microphone
17	Charging pads
18	USB-C port
19	Bottom microphone
(*) Only available in SC9 ^{EXT} Smartscanner	

5 Technical data

5.1 Explosion protection BARTEC SP9^{EX1} Smartphone

ATEX: Zone 0 / Zone 21	
Type 17-S19P-****/*****	BARTEC SP9 ^{EX1} Smartphone
Labelling	Ⓜ II 1G Ex ia IIC T4 Ga Ⓜ II 2D Ex ia IIIC T135°C Db IP64 -20 °C ≤ Ta ≤ +50 °C
Test certificate	UL 24 ATEX 3153X
Standards	See chapter 9 Declaration of Conformity
IECEX: Zone 0 / Zone 21	
Type 17-S19P-****/*****	BARTEC SP9 ^{EX1} Smartphone
Labelling	Ⓜ Ex ia IIC T4 Ga Ⓜ Ex ia IIIC T135°C Db IP64 -20 °C ≤ Ta ≤ +50 °C
Test certificate	IECEX UL 24.0004X
Standards	See chapter 9 Declaration of Conformity

5.2 Explosion protection BARTEC SC9^{EX1} Smartscanner

ATEX: Zone 0 / Zone 21	
Type 17-S19C-****/*****	BARTEC SC9 ^{EX1} Smartscanner
Labelling	Ⓜ II 1G Ex ia op is IIC T4 Ga Ⓜ II 2D Ex ia op is IIIC T135°C Db IP64 -20 °C ≤ Ta ≤ +50 °C
Test certificate	UL 24 ATEX 3153X
Standards	See chapter 9 <u>Declaration of Conformity</u>
IECEX: Zone 0 / Zone 21	
Type 17-S19C-****/*****	BARTEC SC9 ^{EX1} Smartscanner
Labelling	Ⓜ Ex ia op is IIC T4 Ga Ⓜ Ex ia op is IIIC T135°C Db IP64 -20 °C ≤ Ta ≤ +50 °C
Test certificate	IECEX UL 24.0004X
Standards	See chapter 9 <u>Declaration of Conformity</u>

Specific conditions of use

for secure operation within the hazardous area

- (1) The Device must be protected against impacts with high impact energy.
- (2) The Device must be protected against processes that generate a strong charge.



Further explanation to the specific conditions of use:

- (1) The Device shall not be impacted with higher energy than 2 Joules for transparent parts (e.g. display and camera lenses) and 4 Joules for non-transparent plastic parts over the operating temperature range of the Device
- (2) The Device shall not be subjected to a prolific charge generating mechanism, such as might occur in pneumatic transfer of powders or charge spraying in a powder coating process.

5.3 Technical specifications

5.3.1 Performance characteristics

CPU	Qualcomm® QCM6490 Octa Core 2.7 GHz
Operating system	Android™
Memory	8 GB RAM; 128 GB Flash
SIM card slot	1x Nano SIM and 1x eSIM

5.3.2 Physical characteristics

Dimensions <i>(Length x Width x Height)</i>	<p>BARTEC SP9^{EX1} Smartphone 168.7 mm x 83.4 mm x 17.9 mm (6.6 inch x 3.3 inch x 0.7 inch)</p> <p>BARTEC SC9^{EX1} Smartscanner 168.7 mm x 83.4 mm x 30.8 mm (6.7 inch x 3.3 inch x 1.2 inch)</p>
Weight <i>(including battery)</i>	<p>BARTEC SP9^{EX1} Smartphone approx. 350 g (0.77 oz)</p> <p>BARTEC SC9^{EX1} Smartscanner approx. 370 g (0.82 oz)</p>
Display	6.1" FHD (Full High Definition+) color display; high resolution; 1080 x 2340 pixel
Touchscreen	Dual mode capacity touch Gorilla® Glass Victus® (generation 8)
Interactive sensor technology	Accelerometer/Gyroscope Magnetometer/Compass Pressure/Barometer Proximity Ambient light

5.3.3 User environment

Operating temperature	-20 °C to +50 °C (-4 °F to +122 °F)
Charging temperature	0 °C to +45 °C (+32 °F to +113 °F)
Storage temperature <i>(without battery)</i>	-30 °C to +60 °C (-22 °F to +140 °F)
Relative humidity	5 % to 90 % (non-condensing)
Class of protection <i>(IEC 60529)</i>	IP 68

5.3.4 Voice and data transmission Wi-Fi

Radio standard	Wi-Fi 6: IEEE 802.11 a/b/g/n/ac/ax 2x2 MU-MIMO Simultaneous Dual Band Up to 2042 Mbps data rate and 160 MHz bandwidth
Maximum output power EU	WI-FI 2.4GHz 20.08dBm WI-FI 5GHz 17.53dBm



RESTRICTIONS

The use of 5 GHz RLAN throughout the EEA has the following restrictions: 5.15 - 5.35 GHz is restricted to indoor use only in all member states

BE	BG	CZ	DK	DE	EE	IE
EL	ES	FR	HR	IT	CY	LV
LT	LU	HU	MT	NL	AT	PL
PT	RO	SI	SK	FI	SE	UK

5.3.5 Voice and data transmission WAN

Radio frequency bands	GSM Bands: 850, 900, 1800, 1900 UMTS Bands: 1, 2, 4, 5, 8 LTE Bands: B1, 2, 3, 4, 5, 7, 8, 12, 13, 17, 20, 28, 38, 40, 41, 48, 66, 71 5G NR Bands: n1, 2, 3, 5, 7, 8, 20, 25, 28, 38, 40, 41, 48, 66, 71, 77, 78
Maximum output power EU	GSM 900: 31,79dBm GSM 1800: 28,81dBm WCDMA I: 22,82dBm WCDMA VIII: 23,17dBm LTE Band 1: 22,54dBm LTE Band 3: 22,32dBm LTE Band 7: 22,50dBm LTE Band 8: 22,80dBm LTE Band 20: 22,36dBm LTE Band 28: 22,43dBm LTE Band 38: 22,51dBm LTE Band 40: 22,69dBm NR N1: 23,70dBm NR N3: 23,14dBm NR N7: 23,19dBm NR N8: 23,15dBm NR N20: 22,92dBm NR N28: 23,28dBm NR N38: 24,08dBm NR N40: 23,37dBm NR N41: 22,95dBm NR N41 PC2: 25,82dBm NR N77: 22,83dBm NR N77 PC2: 25,07dBm NR N78: 22,73dBm NR N78 PC2: 25,57dBm

5.3.6 Voice and data transmission Bluetooth

Bluetooth	Bluetooth® 5.2 including Low Energy, long range and multiple broadcasts
Maximum output power EU	2402~2480MHz 8.74dBm

5.3.7 Global Navigation Satellite System (GNSS)

GNSS	GPS, A-GPS, Glonass, Galileo and BeiDou
-------------	---

5.3.8 NFC/HF RFID reader

NFC/HF	Read/write NFC tags (e.g. ISO 14443 Type A), contactless payments, and card emulation.
Maximum Magnetic Field	13.56 Mhz -37.72 dBuA/m@10m



The read/write range of the RFID reader depends on a variety of factors, including RFID tag size, tag positioning, environmental conditions, and more.

5.3.9 Barcode capture (BARTEC SC9^{EX1} Smartscanner only)

Scan Engine model: Zebra Technologies SE55 1D/2D Advanced Range Scan Engine with IntelliFocus™ technology



The scanning range depends on the barcode type, size, and the print quality. See the data sheet for the list of supported barcodes/symbolologies.
 The Scan Engine complies with laser class CDRH Class II laser/IEC 60825-1 Class 2 laser devices.

5.4 Battery



The life of the battery will depend on different factors including user behavior (e.g. app usage, video playback), device settings (e.g. screen brightness), ambient temperature, and more.

Battery <i>Type 17-A1Z0-0020/****</i>	(only change and charge outside hazardous areas) Lithium-ion battery 3.68 V/4300 mAh (15.8 Wh)
Operating temperature	-20 °C to +50 °C (-4 °F to 122 °F)
Charging temperature	0 °C to +45 °C (+32 °F to 113 °F)
Storage temperature	-30 °C to +60 °C (-22 °F to 140 °F)
Relative humidity	20 % to 95 % (non condensing)
UN38.3 compliant	Yes

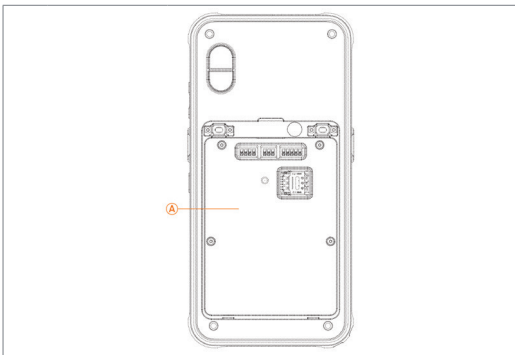


Follow the optimal temperature range in the table below when charging the battery.

10 °C to 35 °C (50 °F to 95 °F)	Optimal charging range
0 °C to 10 °C (32 °F to 50 °F) and 35 °C to 45 °C (95 °F to 113 °F)	Charging slows down
Below 0 °C (32 °F) and above 45 °C (113 °F)	Charging stops

5.5 Device labelling

5.5.1 BARTEC SP9^{EX1} Smartphone



A

Marking

BARTEC SP9^{EX1}

Model: SP9^{EX1}

Type: 17-919P-21110119



BARTEC GmbH

Max-Eyth-Strasse 10

87180 Bad Mergentheim, Germany

www.bartec.com

LL 24 A8EX 9158X

IE 10 Ex Ia IIC T4 Gc

II 2D Ex Ia IIC T135°C Db IP64

IECEx LL 24-00045

-20° T_a $+50^{\circ}\text{C}$



CE 0044



S/N: SP9013A00147

MFD: 8/10/2019

MADE IN THAILAND

Made in Thailand

USB port: USB 40 compatible - 5-28Vdc / max 3A

DC in port: 12Vdc / max 1.5A

USB In - 28V / 0.2A - 5W @ 12V

WARNING/ATTENTION:

Use only replaceable battery pack BARTEC GmbH type: 17-9129-0020****

Utiliser uniquement la batterie BARTEC GmbH type: 17-9129-0020****

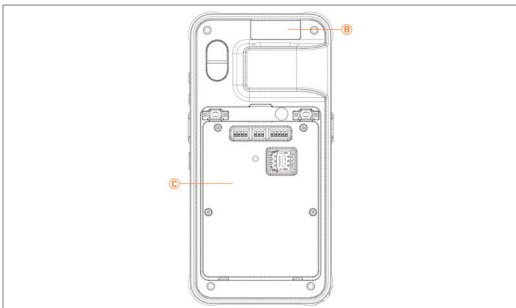
INTRINSICALLY SAFE/SECURITE INTRINSEQUE


Warning - Substitution of components may impact intrinsic safety.

Avertissement - La substitution des composants peut nuire à la sécurité

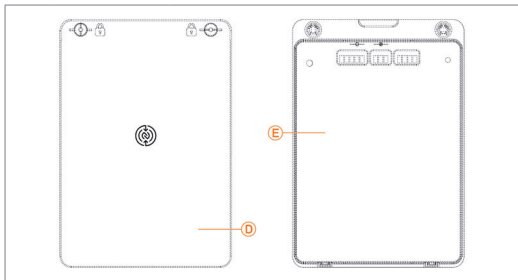
intrinsèque.

5.5.2 BARTEC SC9^{EX1} Smartscanner



<p>B</p>	<p>Laser warning</p>	 <p>Max. output of laser radiation – 1.72 mW (peak) Pulse duration – 3.93 ms / Emitted wavelength – 520 nm IEC 60825-1:2014 and EN 60825-1:2014 + A11:2021 Complies with 21 CFR 1040.10 and 1040.11 except for conformance with IEC 60825-1 Ed. 3, as described in Laser Notice No. 56, dated May 8, 2019.</p>
<p>C</p>	<p>Marking</p>	<p>BARTEC SC9^{EX1} Model: SC9^{EX1} Type: 17-8180-01111110 </p> <p>BARTEC GmbH Max-Eyth-Strasse 16 37963 Dued-Margenheim, Germany www.bartec.com</p> <p>US: 26.47EEX 91133E  I 1 G Ex ia up Ia I IC T4 Ga  2D Ex ia up Ia I IC T139°C Da IP6A IECEx Ia, ZA, 0500x -20° / Ta < +50°C</p> <p>  3% SC9EX134000078  HFRS 414340078 Made in Thailand</p> <p>CE 0044 </p> <p>USB port: USB-PD compatible – 5-20Vdc / max 2A DC-In port: 12Vdc / max 1.5A USB Um = 20V / DCin Um = 12V</p> <p>WARNING/ATTENTION Use only replaceable battery pack BARTEC GmbH type: 17-8120-0020/**** Utiliser uniquement la batterie BARTEC GmbH type: 17-8120-0020/**** INTRINSICALLY SAFE/SÉCURITÉ INTRINSÈQUE Warning: • Substitution of components may impair intrinsic safety Avertissement: • La substitution des composants peut nuire à la sécurité intrinsèque.</p>

5.5.3 Battery



	<p>Battery marking outside</p>	<p align="center">BARTEC</p> <p align="center">WARNING/ATTENTION Explosion hazard - Do not replace or charge battery pack or use USB port in hazardous locations! Read Quick Start Guide 11 -S190-7E0001 before use! Risque d'explosion - Ne pas remplacer ou charger la batterie ou utiliser le port USB à l'intérieur d'une zone explosive Lire attentivement le manuel rapide 11-S190-7E0001 avant toute utilisation!</p>
	<p>Battery marking inside</p>	<p>BARTEC BA9^{EX1} Rechargeable Li-ion Type: 17-S120-0020</p> <p>BARTEC GmbH Max-Eyth-Strasse 16 97980 Bad Mergentheim, Germany www.bartec.com</p> <p>Battery info 3.68 V, 4300 mAh, 15.8 Wh Limited Charge Voltage (4.2 V)</p> <p>CAUTION: Do not disassemble, short circuit or dispose of in fire! Dispose of used batteries properly!</p> <p>WARNING/ATTENTION: Use only in BARTEC SP9^{EX1} Smartphone or BARTEC SC9^{EX1} Smartscanner Type 17-S19*.****j***** Utiliser uniquement en BARTEC SP9^{EX1} Smartphone ou BARTEC SC9^{EX1} Smartscanner Type 17-S19*.****j*****</p> <p>S/N: BA9EX124208564 MFD: AUGUST24 Made in Thailand</p> <p> 0044 </p> <p align="right">11NP7/62/80</p>

6 Transport and storage

6.1 Transport



Report any transport damage or incomplete deliveries immediately after receipt in writing to the forwarding company and BARTEC. Any damage caused through incorrect storage shall not be covered by the warranty provisions of BARTEC.



Battery conforms to UN38.3.
Due to the transport guidelines for air freight, all batteries are delivered Ex Works charged to max. 30%.
Further information, such as material safety data sheets, can be found on bartec.com

6.2 Storage



ATTENTION

Property damage through incorrect storage!

- ▶ Observe storage temperatures.
- ▶ Keep humidity away from the Device and batteries.

ATTENTION

Dommages matériels dus à un stockage inapproprié !

- ▶ *Respecter les températures de stockage.*
- ▶ *Tenir l'appareil à l'abri de l'humidité.*

Additional information on the battery

The Device battery (Type 17-S1Z0-0020/****) is developed and manufactured in accordance with the highest industrial standards. The operating time or storage period of a battery is restricted, however. The actual life of the battery is influenced by different factors, e.g. hot, cold, rough operating environment, and severe impact. If the battery is stored longer than six months, the performance may be impaired on a permanent basis.

When storing batteries for 6 months or longer, the charge level should be verified at least every 3 months and charged to at least 50%.

When storing the Device for longer than two weeks, remove the battery from the Device to prevent fast discharge. See also section [7.5 Charging the Device/battery](#) for further details.

7 Commissioning and operation



DANGER

Avoid electrostatic charging in hazardous areas.

Danger to life in explosive atmosphere!

- ▶ Do not dry wipe or clean the Device with chemical cleaning agents
- ▶ Wear suitable clothing and shoes
- ▶ Do not use rubber gloves or similar

DANGER

Dans les zones à risque d'explosion, éviter les charges électrostatiques.

Une atmosphère explosive présente un danger de mort!

- ▶ *Ne pas essuyer ou nettoyer l'appareil avec des produits de nettoyage chimiques*
- ▶ *Porter des vêtements et des chaussures appropriés*
- ▶ *Ne pas utiliser de gants en caoutchouc ou similaires*



DANGER

Unintended use endangers explosion protection.

Danger to life in explosive atmosphere!

- ▶ Do not make any modifications to the Device
- ▶ In the case of function disturbances or damage to the enclosure and/or display, the Device should be immediately removed from the hazardous area. Once in the safe area, the battery should be removed from the Device.

DANGER

Une utilisation non conforme met en danger la protection contre les explosions.

Une atmosphère explosive présente un danger de mort!

- ▶ *Ne pas effectuer de modification sur l'appareil.*
- ▶ *En cas de dysfonctionnement ou d'endommagement du boîtier et/ou l'écran, le matériel doit être immédiatement déplacé de la zone à risque d'explosion. Une fois dans la zone sûre, la batterie doit être retirée de l'appareil.*

**DANGER**

**Non certified accessories endanger explosion protection.
Danger to life exists in hazardous areas.**

- ▶ Only use original accessories from BARTEC
- ▶ Only permitted outside the hazardous area:
 - Inserting or replacing Nano SIM card
 - Inserting, changing or charging the battery
 - Attaching or removing accessories such as scan handle, screen protector and protective cover

DANGER

Les accessoires non certifiés mettent en danger la protection contre les explosions.

Les zones à risque d'explosion présentent un danger de mort!

- ▶ *N'utilisez que des accessoires originaux de BARTEC*
- ▶ *Autorisé uniquement en dehors de la zone à risque d'explosion :*
 - Insérer/remplacer les carte Nano SIM
 - Insérer/charger la batterie
 - Fixer/retirer les accessoires tels que la poignée de balayage, le protecteur d'écran et la housse de protection

7.1 Handling in hazardous areas

Device

- The Device may not be tampered with
- The battery may not be removed from the Device
- Protect the Device from impact
- Do not expose the Device to caustic/aggressive liquids, vapours, and/or mists
- Avoid exposing the Device to liquid and dust outside the specified IP rating
- Do not operate the Device outside the specified temperature range

Battery

- The battery may not be tampered with
- Only charge batteries (Type 17-S1Z0-0020/****) outside hazardous areas
- Defective batteries must not be used and should without delay be disposed of according to local regulations
- The battery may explode if it catches fire

Accessories

- Only install or replace accessories outside the hazardous area
- Only use accessories that have been tested and certified by BARTEC for use in the hazardous areas

7.2 First steps

- ▶ Unpack the Device and battery
- ▶ Insert Nano SIM card, if using one (see chapter [7.3 Inserting a Nano SIM card](#))
- ▶ Charge the battery to 100% after unpacking. The battery may be charged by inserting it into the Device (see chapter [7.4 Inserting/changing the battery](#)) and charging it using the USB-C cable included in the box or a BARTEC charging station (see chapter [7.5 Charging the Device/battery](#)). Alternatively, the battery may be charged separately using a BARTEC charging station.

Charging accessory	Suitable for	
	Device (with battery)	Spare battery
USB-C cable Type G7-A0Z0-0010	Yes	No
1-slot charging station Type G7-A0Z0-0012	Yes	Yes
4-slot charging station Type G7-A0Z0-0013	Yes	Yes

- ▶ If the battery was charged separately, insert it into the Device
- ▶ Switch on the Device
- ▶ Once the Device is turned on, connect the Device to the network and if the Device notifies that a new software is available, install the new software



It is recommend to use always the latest software version

Optional:

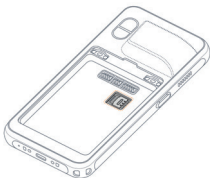
- ▶ Apply screen protector
- ▶ Attach protective cover
- ▶ Attach scan handle or hand strap
- ▶ Attach wrist strap, neck strap, and/or stylus

7.3 Inserting a Nano SIM card



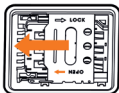
Nano SIM cards do not need to be certified or tested for use in hazardous areas and may be purchased through third parties.

The slot for the Nano SIM card is located in the battery compartment.

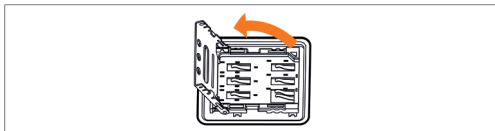


Work steps:

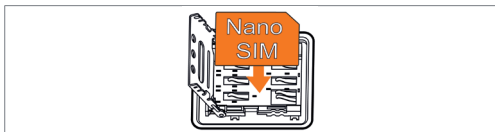
1. Slide metal lid from "LOCK" position to "OPEN" position



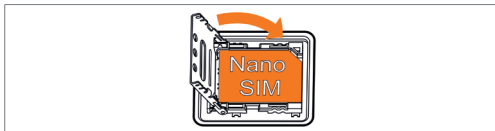
- Open metal lid to allow Nano SIM card to be inserted



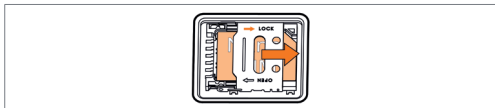
- Place Nano SIM card against contacts, chip face down



- Close metal lid



- Slide the metal lid of the Nano SIM card holder back into the "LOCK" position



7.4 Inserting/changing the battery

The Device is supplied with a battery:

Type	Order number
Lithium-ion battery 3.68 V/4300 mAh	17-S1Z0-0020/****

Insert battery - work steps:

1. Insert the battery, bottom first, into the battery compartment
2. Press the battery down into the battery compartment



3. Press and hold the battery in place while fastening the screw using the battery tool



Remove battery - work steps:

1. Remove any accessory attached to the Device
2. Press the Power button until the menu appears
3. Touch "Power off"
4. Wait for the red LED to completely turn off
5. Press the battery down into the battery compartment and, simultaneously, open the screws in the battery using the battery tool until both screws are loose



6. Lift the battery from the Device



7.5 Charging the Device/battery



The battery has advanced protection circuitry to ensure safe use in hazardous areas. To ensure normal functionality of the battery, it is important to follow these guidelines:

- ▶ Charge the battery to 100% after receiving the Device and before taking the Device into use
- ▶ Remove the battery from the Device if the Device will be unused for a longer period of time (2 weeks or more) or ensure to keep it charged regularly during storage
- ▶ Avoid allowing the battery to go completely empty to avoid excess wear to the battery
- ▶ If the battery goes completely empty, charge it to full within 48 hours to ensure it continues to work normally
- ▶ If the battery does not accept charge, contact technical support by opening a support ticket on the Enterprise Mobility Support Portal at [bartec.com](https://www.bartec.com)

7.5.1 Charging the Device with the USB-C cable

Insert the BARTEC USB-C cable to charge the Device.



Charging through the USB-C port can only be done with the USB-C cable provided by BARTEC. For safety reasons the USB-C port is disabled by default and will only activate by using the BARTEC USB-C cable. Trying to use other cables will bring up a warning dialog instructing the user to use the correct cable.

Any USB-C charger may be used to charge the Device. We recommend to use the Wall charger from BARTEC.

7.5.2 Battery status/charge LED indicator

Status	Indications
Blinking red	The battery is below 20%.
Off	<p>The battery is above 20% or, if the user is trying to charge the Device, the Device is not charging for any of the following reasons:</p> <ul style="list-style-type: none"> ▶ The USB-C cable is not inserted correctly into the Device or the Device is not placed correctly in the charging station ▶ The USB-C cable or charging station is not connected to a power source ▶ A non-BARTEC USB-C cable is being used
Solid red	The battery is charging and the battery charging level is under 20%.
Solid orange	The battery is charging and the battery charging level is between 20% and 90%.
Solid green	The battery is charging and the battery charging level is over 90%.

7.6 Scanning (only BARTEC SC9^{EX1} Smartscanner)



The scan function is set to Keyboard Wedge output mode by default. In this mode, scanned data is processed like a keyboard input. Further scanning output mode options and settings can be found at [bartec.com](https://www.bartec.com)

1. To start scanning, ensure that the application intended to receive scan results is open in the foreground and the appropriate text field is in focus (text cursor is in the text field).
2. Point the top of the Device in the direction of the barcode.
3. Press and hold one of the programmable buttons on either side to start the scanning process. A green dash-dot-dash target laser will be activated to help you aim.



5. Make sure that the barcode is within the illuminated scan field as depicted below:



7. Upon successful barcode decoding, several feedback options are available. A short beep is enabled by default but haptic (vibration) feedback is also available in the Scan Engine control app, under each profile settings.

7.7 Cleaning



Do not use any chemical cleaning agents to clean the Device. Use a damp cloth.

7.8 Troubleshooting and support

If the Device becomes unresponsive or does not boot successfully, try performing a soft reset. This is done by pressing and holding the power button for 10 seconds.



FAQs and technical support can be found in the Enterprise Mobility Support Portal at bartec.com

8 Disposal



The Devices and accessories contains metallic and plastic parts and electronic components.

WEEE registration number of the BARTEC GmbH:
DE 95940350



BARTEC devices are intended exclusively for commercial use (so-called B2B devices) in accordance with the WEEE Directive. The WEEE Directive provides the framework for the treatment of old electrical equipment throughout Europe. This means that you may not dispose of BARTEC devices together with usual household waste but rather separately in an environmentally compatible manner. BARTEC devices can also be brought to the collection points of public disposal companies. Alternatively, all products purchased from BARTEC can be returned to BARTEC for disposal. BARTEC will ensure disposal in accordance with the applicable laws. The sender shall bear the costs of packaging and shipping.

9 Declaration of Conformity

EU Konformitätserklärung
EU Declaration of Conformity
Déclaration UE de conformité
N° 11-S190-7C0001

BARTEC

Wir	We	Nous
	BARTEC GmbH Max-Eyth-Straße 16 97900 Bad Mergentheim Germany	
erklären in alleiniger Verantwortung, dass das Produkt BARTEC SP9EX1 Smartphone (Model: SP9EX1) BARTEC SC9EX1 Smartscanner (Model: SC9EX1)	declare under our sole responsibility that the product BARTEC SP9EX1 Smartphone (Model: SP9EX1) BARTEC SC9EX1 Smartscanner (Model: SC9EX1)	attestons sous notre seule responsabilité que le produit BARTEC SP9EX1 Smartphone (Model: SP9EX1) BARTEC SC9EX1 Smartscanner (Model: SC9EX1)
Typ 17-S19-***-*****		
auf das sich diese Erklärung bezieht, den Anforderungen der folgen- den Richtlinien (RL) entspricht ATEX-Richtlinie 2014/34/EU RED-Richtlinie 2014/53/EU RoHS-Richtlinie 2011/65/EU WEEE-Richtlinie 2012/19/EU und mit folgenden Normen oder nor- mativen Dokumenten übereinstimmt	to which this declaration relates is in accordance with the provision of the following directives (D) ATEX-Directive 2014/34/EU RED-Directive 2014/53/EU RoHS-Directive 2011/65/EU WEEE-Directive 2012/19/EU and is in conformity with the following standards or other normative documents	se référant à cette attestation correspond aux dispositions des direc- tives (D) suivantes Directive ATEX 2014/34/UE Directive RED 2014/53/UE Directive RoHS 2011/65/UE Directive WEEE 2012/19/UE et est conforme aux normes ou docu- ments normatifs ci-dessous
EN IEC 60079-0:2018 EN 60079-11:2012 EN 60079-26:2015 EN IEC 62368-1:2020+A11:2020 EN 50360:2017 <small>(Max. av. weight 1kg SAR; Head 0.778 W/kg)</small> EN 50568:2017 <small>(Max. av. weight 1kg SAR; Body 1.398 W/kg)</small> EN 50683:2017 EN 62479:2010 EN 62209-1:2016 EN 62209-2:2010+A1:2019	EN 300 328 V2.2.2 EN 300 330 V2.1.1 EN 300 440 V2.2.1 EN 301 511 V12.5.1 EN 301 893 V2.1.1 EN 301 908-1 V15.2.1 EN 301 908-2 V13.1.1 EN 301 908-13 V13.2.1 Draft EN 301 908-26 V15.1.1 ETSI TS 138 521-1 : 1711.0.6 ETSI TS 138 521-2 : 1711.0.6 EN 303 413 V1.2.1 EN 62133-2:2017+A1:2021	EN 301 489-1 V2.2.3 EN 301 489-3 V2.3.2 Draft EN 301 489-17 V3.2.6 EN 301 489-19 V2.2.1 EN 301 489-52 V1.2.1 EN 55032:2015+A1:2020 EN 55032:2017+A11:2020 EN IEC 61000-3-2:2019+A1:2021 EN 61000-3-3:2013+A2:2021 EN 60825-1:2014 <small>(Laser)</small> EN 60825-1:2014+A1:2021 <small>(Laser)</small> EN 62471-1:2008 <small>(LED)</small>
Verfahren der EU-Baumuster- prüfung / Benannte Stelle	Procedure of EU-Type Examination / Notified Body	Procédure d'examen UE de type / Or- ganisme Notifié

The Notified Body Timco Engineering, Inc. with Notified Body number 1177 performed Modules B+C and issued the EU-type examination certificate: TEC No.: E1177-244483

UL 24 ATEX 3 153 X
0539, UL International DEMKO A/S, Borupvang 5A, 2750 Ballerup, Denmark

EU Konformitätserklärung
EU Declaration of Conformity
Déclaration UE de conformité

BARTEC

Nº 11-S190-7C0001

CE 0044

Bad Mergentheim, 29.08.2024

i.v. 

Andrej Sonkin
29.08.2024 14:03:17 [UTC+2]

I.V. Andrej Sonkin
SVP Business Unit Enterprise Mobility

i.v. 

Ralph Lanig
29.08.2024 13:45:16 [UTC+2]

I.V. Ralph Lanig
Global Head of R&D Enterprise Mobility

BARTEC

BARTEC GmbH
Max-Eyth-Str. 16
97980 Bad Mergentheim
Germany

Phone: +49 7931 597 0
info@bartec.com

bartec.com