

Cylindrical Flameproof Enclosures

TNXCD/TNXCC Ex d IIC/Ex de IIC /Ex t IIIC



The TNXCD/TNXCC range of Ex d IIC/Ex de IIC enclosures are manufactured in SS316L/CF-3M and are designed as slim, compact, multipurpose cylindrical enclosures.

We build your product to your specifications or you can buy empty enclosures with chosen size, entries and glass/dome.

Examples of applications:

- Laser distance measuring
- Laser gas spectrum analysis and detection
- Global positioning receiver antenna
- Omni directional radio antenna
- Pan-Tilt-Zoom camera
- Fixed camera
- Motion Reference Unit (MRU)
- Flameproof rotating axel



Explosion protection

Marking Empty enclosure

Marking	Ex II 2 GD and EPL Gb/Db Ex db IIC Gb or Ex db eb IIC Gb or Ex tb IIC Gb
Certification ATEX	DNV 21 ATEX 45966U
IECEX	IECEX DNV 21.0001U
Standards	EN/IEC 60079-0 EN 60079-1 EN 60079-7 IEC 60079-31

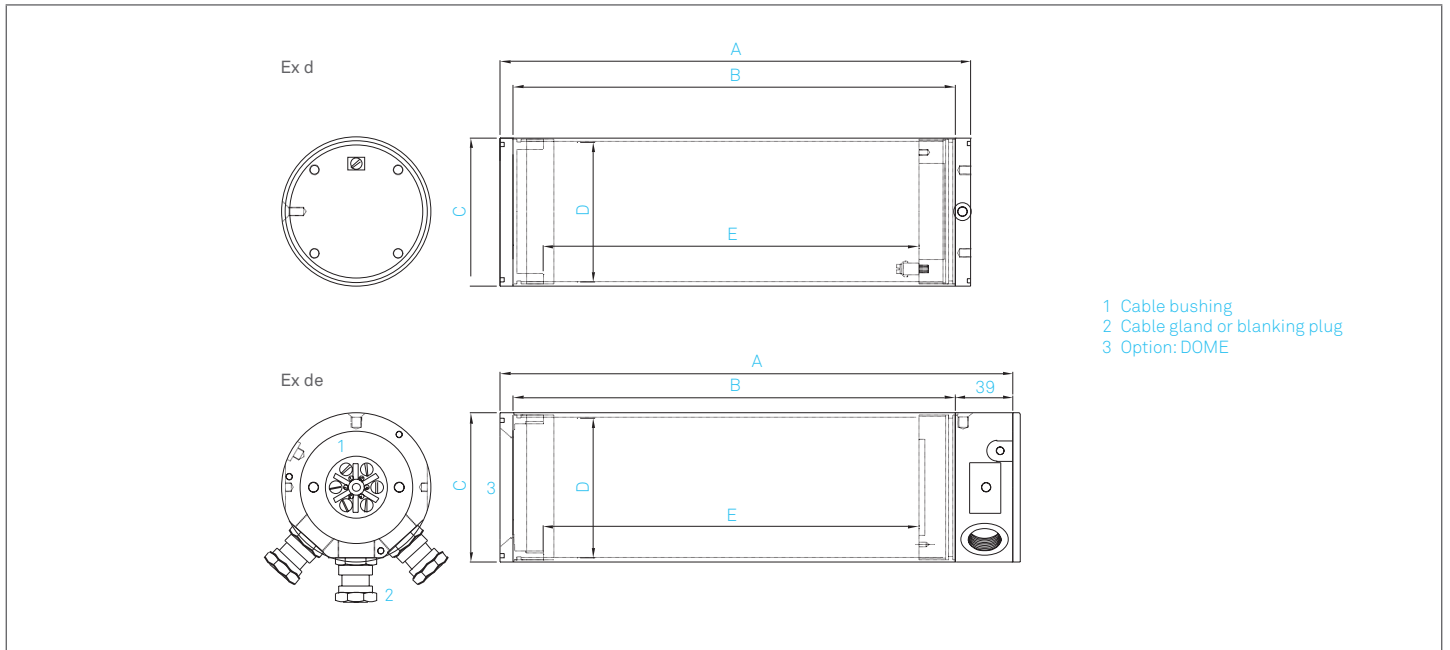
Marking complete enclosure

Marking	Ex II 2 GD and EPL Gb/Db Ex db IIC Gb or Ex db eb IIC Gb or
Certification ATEX	DNV-2004-OSL-ATEX-0115

Technical data

Material	Stainless Steel 316L
IP rating	IP 66 (IP 67 and IP 68 on request)
Ambient temperature	max. -50 °C to +60 °C
Entries	Ex e glands and Ex d bushings, or Ex d glands only
Standard Ex e gland size	M25
Ex d gland size	According to specification
Ex d bushing	According to specification Maximum M42
Glass/dome	According to specification

Dimensions



Selection chart

TNXCD, Ex d IIC

TNXCD	A Total length (mm)	B Tube length (mm)	C Diameter (mm)	D Internal diameter (mm)	E Internal length (mm)	F Junction box (mm)	Weight (kg)	Ø Window/ Dome (mm)
XCD1003200	217	193	101	95	155	N/A	3,3	68
XCD1003360	384	360	101	95	315	N/A	4,1	68
XCD1303100	120	100	132	126	55	N/A	4,0	95
XCD1303200	220	200	132	126	155	N/A	5,3	95
XCD1303360	380	360	132	126	315	N/A	7,0	95
XCD1553184	194	184	158	149	134	N/A	7,0	112
XCD1953290	310	290	195	187	238	N/A	13,0	155

Selection chart

TNXCD, Ex de IIC

TNXCD	A Total length (mm)	B Tube length (mm)	C Diameter (mm)	D Internal diameter (mm)	E Internal length (mm)	F Junction box (mm)	Weight (kg)	Ø Window/ Dome (mm)
XCD1002200	248	193	100	95	155	39	3,9	68
XCD1002360	415	360	100	95	315	39	4,8	68
XCD1301100	161	100	130	126	55	45	5,6	95
XCD1301200	261	200	130	126	155	45	6,9	95
XCD1301360	421	360	130	126	315	45	8,6	95
XCD1551184	257	184	158	149	134	59	10,2	112
XCD1951290	389	290	195	187	238	59	17,1	155