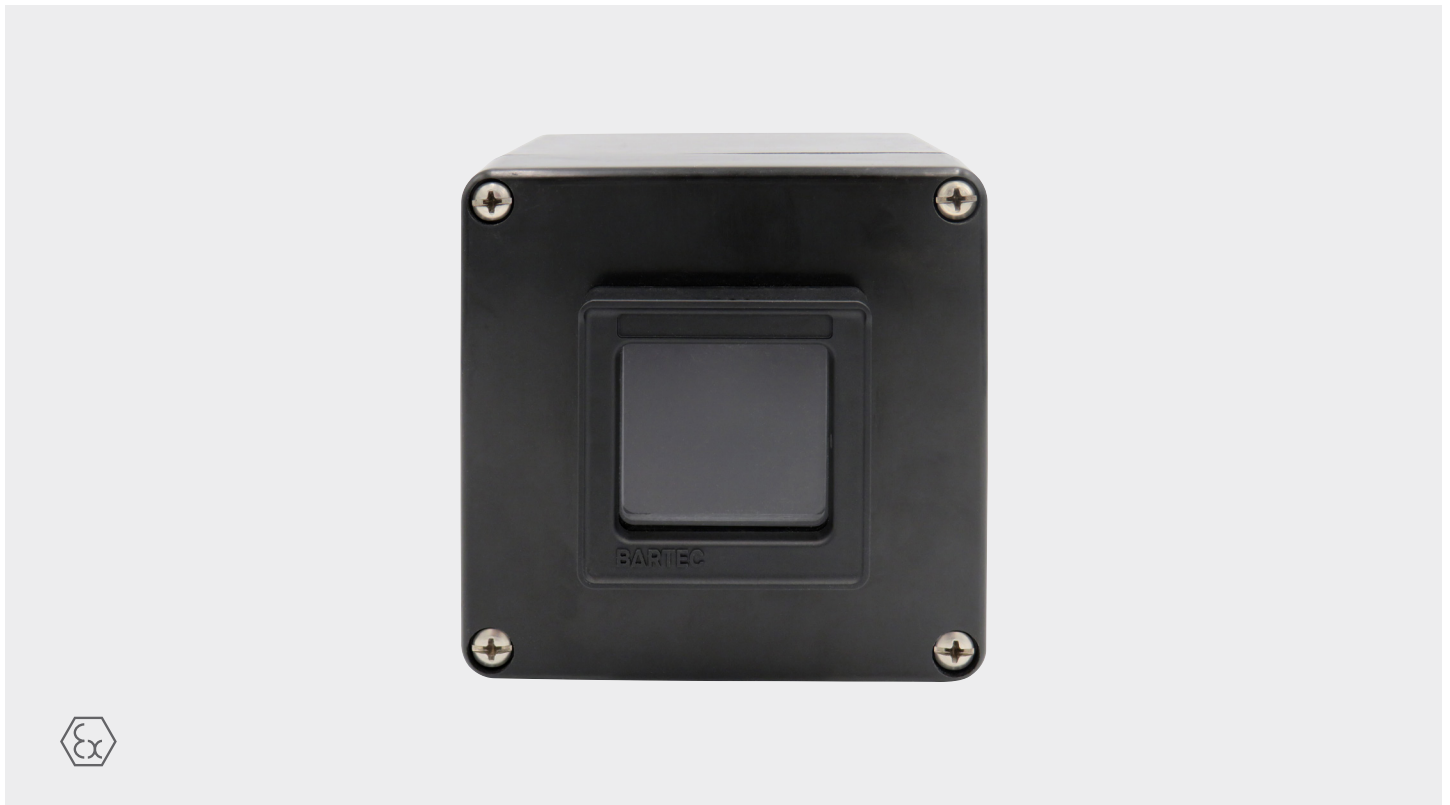


# Enclosure Windows

07-39F1-\*\*\*\*



The BARTEC enclosure windows 07-39F1-\*\*\*\* is used in explosion hazardous areas to enable visibility to display devices mounted inside an enclosure as for example ammeter, voltmeter or displays and is available in two sizes.

Designed for easy and quick installation, it can be mounted using self-cutting screws in a defined cutout of an enclosure. It is compatible with enclosures that have wall thicknesses ranging from 1 mm up to 7 mm, making it suitable for stainless steel, aluminum, and GRP enclosures. The enclosure windows are constructed from fiber-reinforced plastics and feature a high-quality silicon gasket. This design ensures the highest level of safety and ingress protection across a wide temperature range. The window itself is made of UV- and scratch-resistant polycarbonate, ensuring long-term visibility into the enclosure. For even more demanding environments, there are versions available with windows made of laminated safety glass

- Certified for zone 1 & 21
- Suitable for enclosure with wall thicknesses from 1 mm up to 7 mm
- UV- and scratch-resistant polycarbonate window
- IP rating (up to IP64) and service temperatures



**Explosion protection**

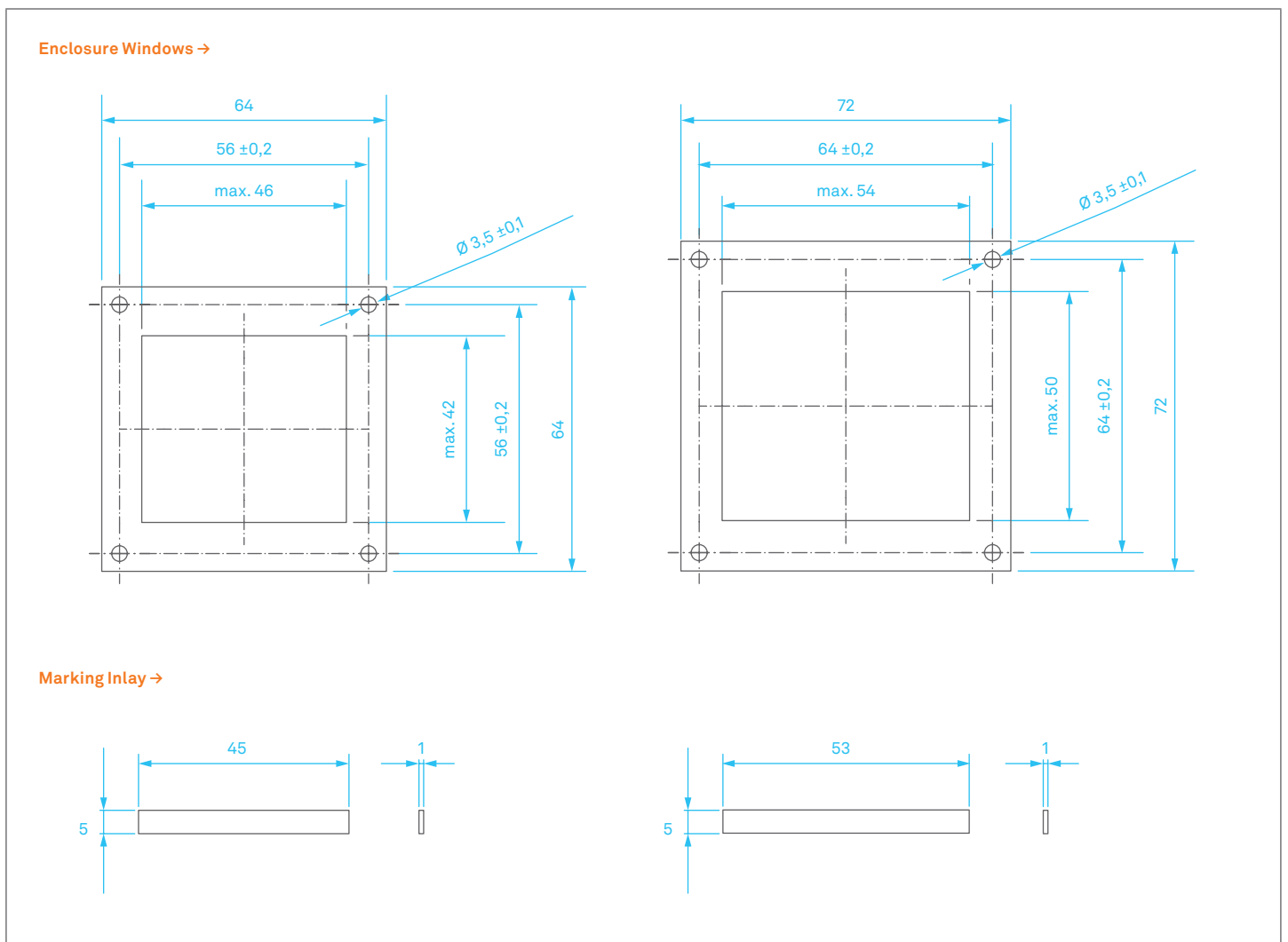
Notified Body Number	CE 0044
ATEX	⊕ II 2G Ex eb IIC Gb
Ex protection type	⊕ II 2D Ex tb IIIC Db
ATEX certificate number	CML 24 ATEX3251U
IECEX	Ex eb IIC Gb
Ex protection type	Ex tb IIIC Db
IECEX certificate number	IECEX CML 24.0149U
Service temperature range	-55 °C to +85 °C

For further approvals and certificates, see [www.bartec.com](http://www.bartec.com)

**Technical data**

Degree of Protection	IP64 acc. to 60079-0 IP66 acc. to 60529
Mounting	Installation in enclosures with a wall-thickness of 1 mm to 7 mm Torque Screws 1.3 Nm
Enclosure material	reinforced plastic
Window material	Polycarbonat (UV- and scratch resistant)
Gasket material	Silicon
Weight	64 x 64 mm: - approx. 55 g (Polycarbonat) 72 x 72 mm: - approx. 70 g (Polycarbonat)

**Dimensions in mm**



**Ordering information**

0 7 - 3 9 F 1 - \* \* \* \* / \* \* \* \*  
 G H I J

Code	Code for	Variation	Description
<b>G</b>	Size	1	64 x 64 mm
		2	72 x 72 mm
<b>H</b>	Window Material	P	Polycarbonat
<b>I</b>	Gasket Material	S	Silicon
		E	EPDM (on request)
<b>J</b>	Wallthickness	1	Enclosure wall from 1 mm to 4 mm
		2	Enclosure wall from ≥ 4 mm to 7 mm

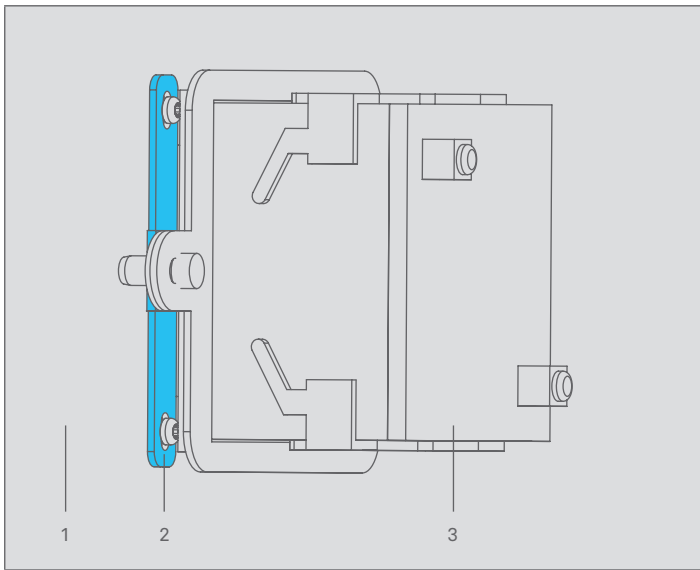
**Holder for Front Panel Mounting**

Description	Order No.
Holder in Stainless Steel (only the Holder is supplied)	05-0105-0463

**Metallex Marking Inlay**

For Size	Description	Order No.
64 x 64 mm	customized engraving on request	03-5412-0073
72 x 72 mm	customized engraving on request	03-5412-0075

**Drawing Holder for Front Panel Mounting**



1	Control panel
2	Holder
3	Ammeter

REMARK:

Due to the development of the national and international specifications and of the technology, the above technical characteristics showed on this bulletin can be considered as binding on our confirmation only.