

EXchoke™

Emergency Shutdown Unit for Pneumatic Tools

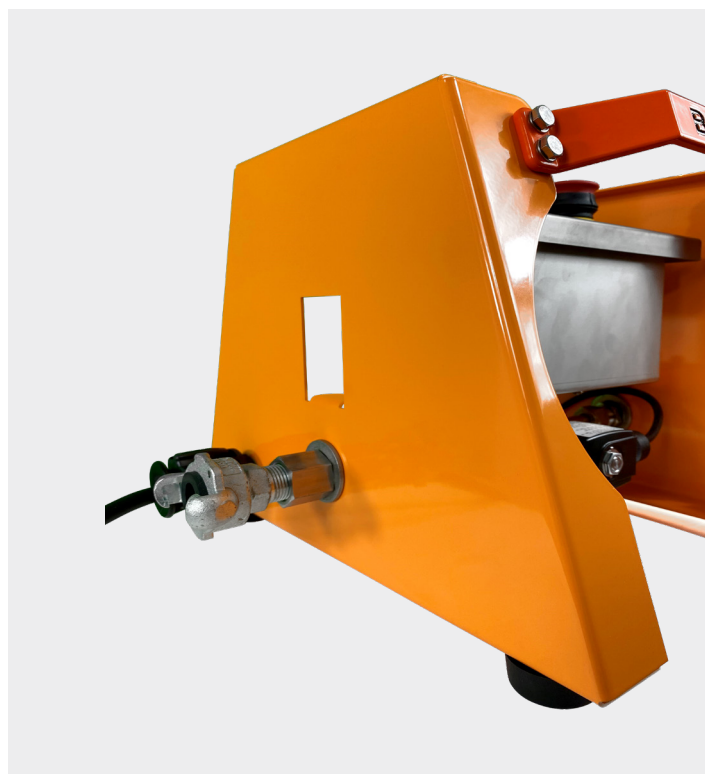


Strict rules for use of air-powered tools and equipment require the possibility for ignition source disconnection. Bartec Technor has a well-proven solution for this, and we now introduce the product in a smaller and more manageable design.

Two versions are available – one standard version with a solenoid valve that has to be connected to a 16A outlet and one extended version with a solenoid valve, an 'ON' status lamp, a reset push button and an Emergency Stop button that also has to be connected to a 16A outlet. Both versions come with a 35 m flexible cable with an Ex certified plug in the end. 1/2" and 1" versions available.

Specifications

Certification	ATEX and IECEx – Zone 1 (other certifications on request)
Material	Stainless steel 316 L
Cable (included)	35 m RADOX 125 S2 3G1,5 mm ² (other on request)
Plug (included)	Cooper Crouse Hinds GHG 543 2306 V0000 (other on request)
Electrical data	220-240 VAC, 50/60 Hz
Air connection 1/2" or 1"	Standard version: Hansen quick coupling, 3000 series (other on request) Extended version: 1/2" and 1" offshore claw coupling (other on request)
Construction	Frame with rubber feet
Size	275 x 350 x 275 mm (WxDxH)
Weight	8 to 9,5 kg + cable and plug

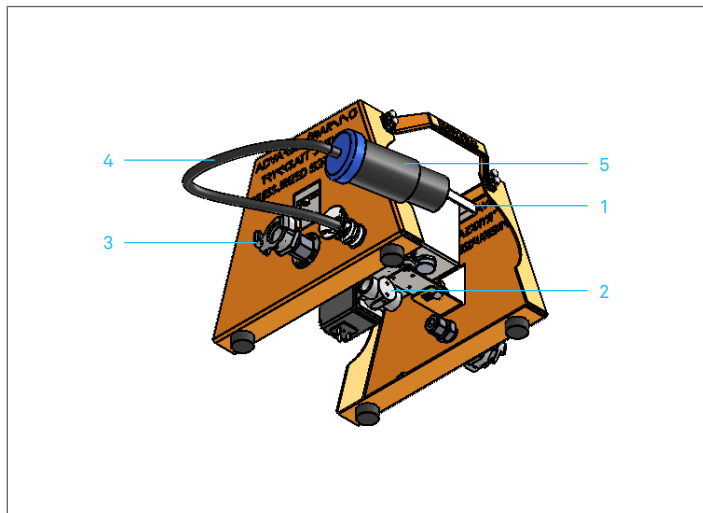


Pictures is of 1/2" version. 1" version is slightly larger in size.

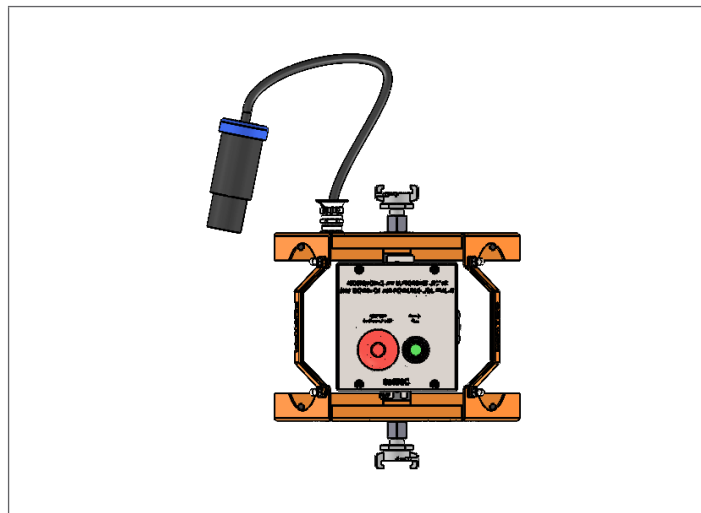
EXchoke™ Extended Version

1/2" version shown, 1" version also available

Isometric view

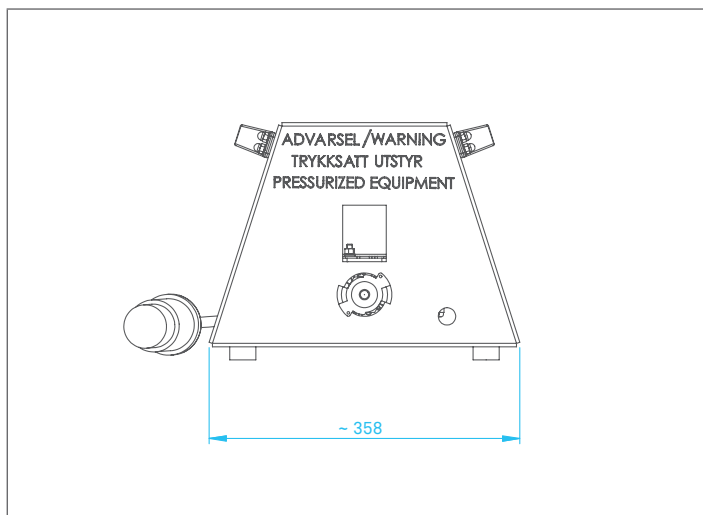


Top view

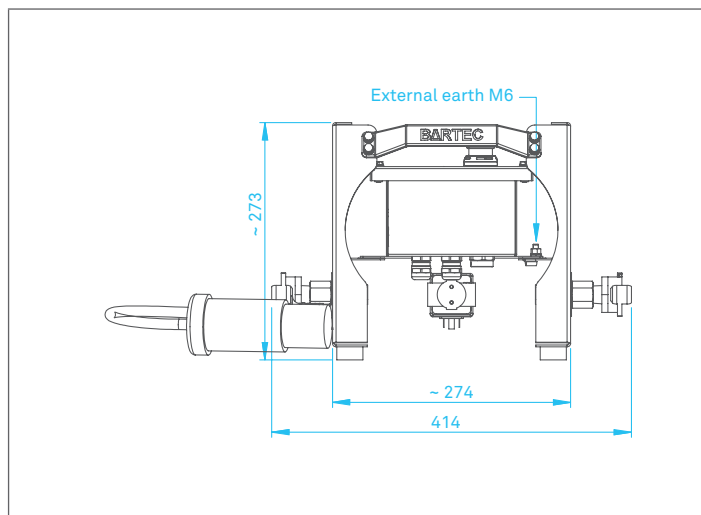


Item	Qty	Material
1	1	07-3192-1510 Control station, Ex de, Bartec
2	1	Solenoid valve, Ex de, Bürkert
3	2	Claw Coupling, 1/2" or 1"
4	35 mtr	35 m RADOX 125 S2 3G1,5 mm ²
5	1	GHG 543 2306 V0000, 2P+PE Ex de plug, CEAG

Side view

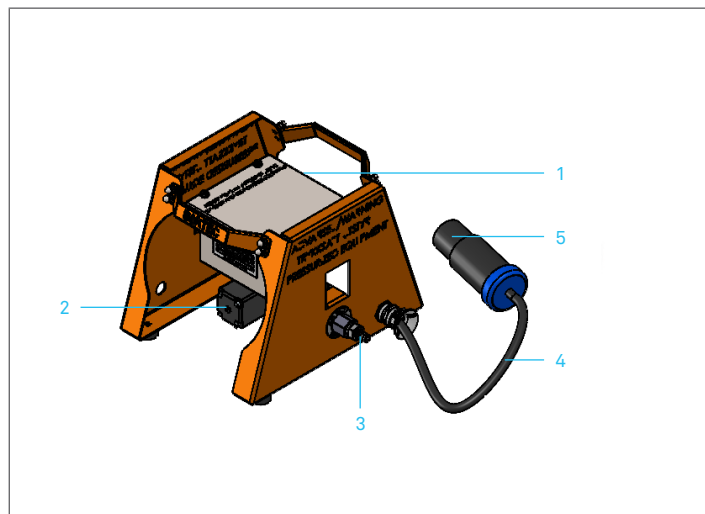


Front view

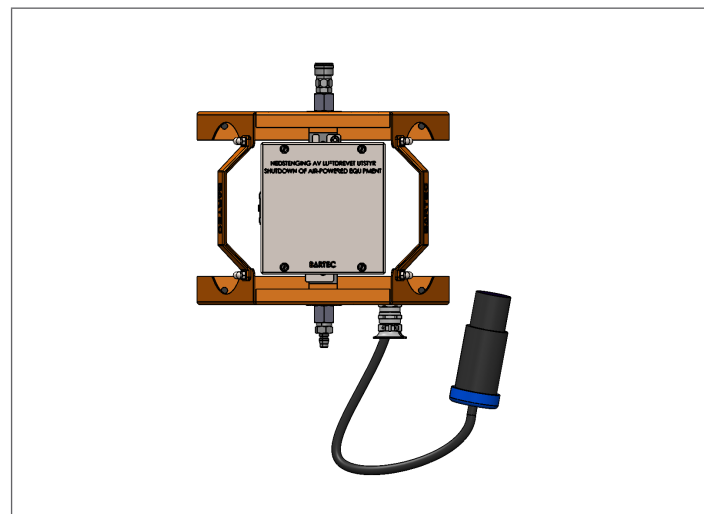


EXchoke™ Standard Version

Isometric view

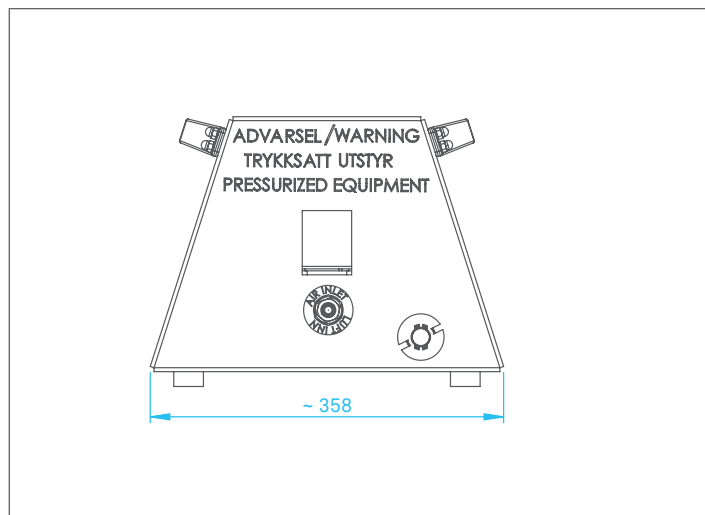


Top view

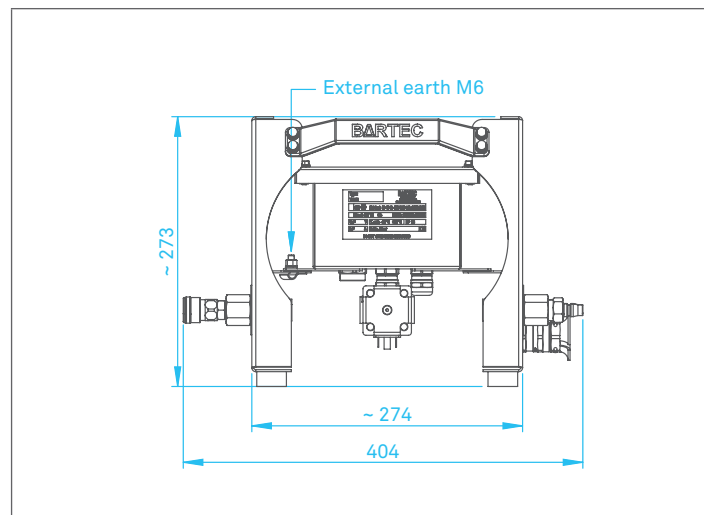


Item	Qty	Material
1	1	TNCN151510 Junction Box, Ex e, Bartec Technor
2	1	Solenoid valve, Ex de, Bürkert
3	1+1	Hansen Coupling 3000 series, male and female
4	35 mtr	35 m RADOX 125 S2 3G1,5 mm ²
5	1	GHG 543 2306 V0000, 2P+PE Ex de plug, CEAG

Side view

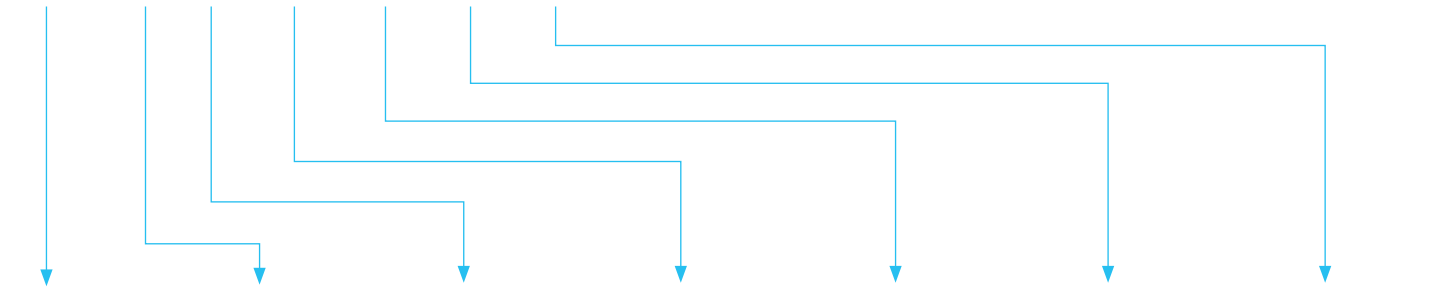


Front view



Typekey explanation

EXchoke™ **E** **230** **C1** **P1** **K1** **U1**



EXchoke™	Version	Supply voltage		Air couplings		Power Plug Type		Supply Cable		Earthing Cable - option		
The product type	E	Extended 1/2" version with Emergency Button and light/reset button	230	230 VAC supply	C1	UM-50 AM (Air King) Claw Coupling, 1/2"	P1	Cooper Crouse-Hinds GHG 543 2306 V0000, 2P+PE, 16A, < 250 VAC	K1	35m, 3G1,5 mm ² Rubber Cable H07RN-F, Black, Ø9,8	U1	10m, 6 mm ² Earth Cable with Myking G-600 Earth Clamp
			24	24 VDC supply	C3	UM-100 AM (Air King) Claw Coupling, 1"						
	S	Standard 1/2" version without Emergency Button and light/reset button			H3	Hansen Series 3000 Quick Coupling	P2	R. Stahl 8570/12-306, 2P+PE, 16A, < 250 VAC, New Stahl type!	K2	35m, 3G1,5 mm ² RADOX 125 S2, Black, Ø8,3	U2	10m, 16 mm ² Earth Cable with Myking G-600 Earth Clamp
					H5	Hansen Series 5000 Quick Coupling						
	E1	Extended 1" version with Emergency Button and light/reset button Standard			H6	Hansen Series 6000 Quick Coupling	P3	Cooper Crouse-Hinds GHG 511 7306 R0001, 2P+PE, 16A, < 250 VAC, New CEAG type!	K3	35m, 3G1,5 mm ² Rubber Cable PURFLEX, Orange, Ø8,9	U3	10m, 35 mm ² Earth Cable with Myking G-600 Earth Clamp
S1	1" version without Emergency Button and light/reset button											