

EFDC3D – EFDC3T

Multiple control stations



Installation

hazardous areas - Zone 1 / 2 (Gases) - Zone 21 / 22 (Dus)

Classification

Group II - Category 2G 2D

Reference standards

| Directive 2014/34/EU | |
|---------------------------------|--|
| Execution | Ⓜ II 2 G Ex d IIC T6/T5 Gb Ⓜ II 2 D Ex tb IIIC T85 °C / T100 °C Db |
| Rules of compliance | EN/IEC 60079-0; EN/IEC 60079-1; EN/IEC 60079-31 |
| EU Type-Examination Certificate | INERIS 04 ATEX 0076X |
| Protection degree | IP66 |
| Ambient temperature | -60 °C ÷ +60 °C |
| Other available certificates | IECEx: IECEx INE 11.0033X INMETRO: CEPTEL 13.2255X RUSSIAN MARINE CERTIFICATE (RMRS): 19.02523.280 CCC: 2020122304113843 ECASEx: 23-06-22481/Q23-06-048569/NB0002 |

Mechanical characteristics

| | |
|--------|--|
| Body | marine grade copper free aluminium light alloy |
| Cover | marine grade copper free aluminium light alloy |
| Screws | stainless steel |
| Gasket | NBR rubber sealing ring |

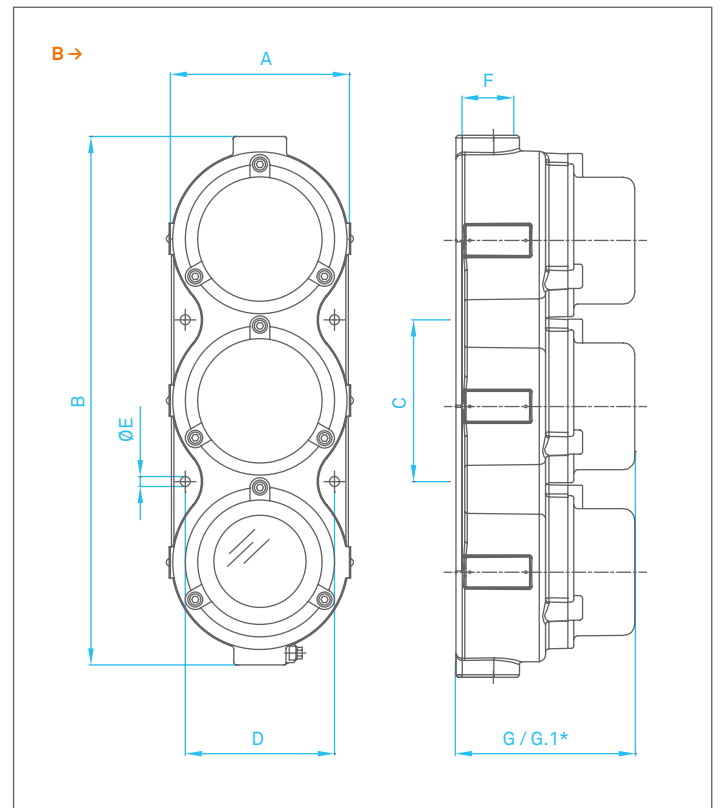
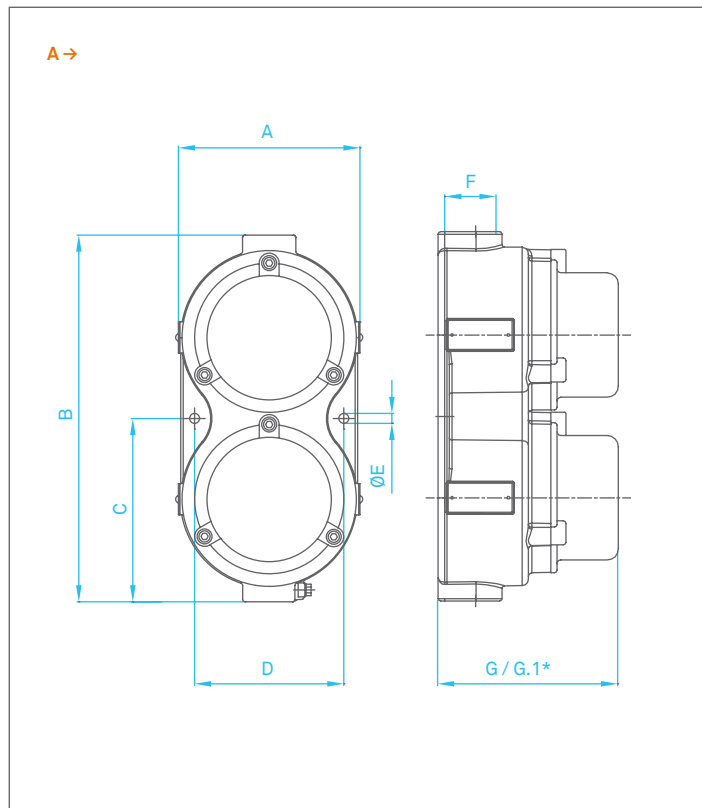
On Request Accessories

- External epoxy painting with colour on request
- Cable entries with different threads from standards

Technical features

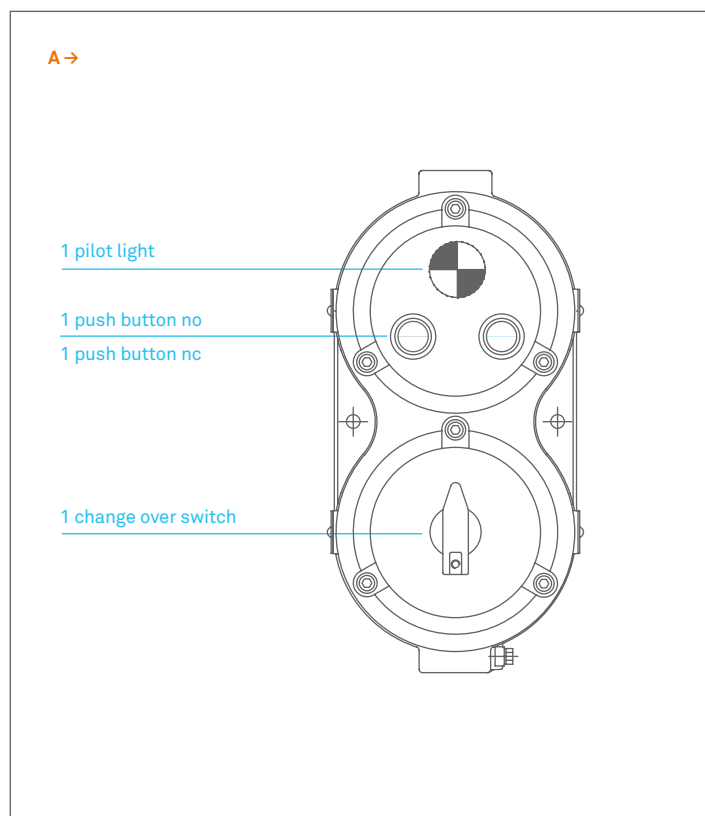
| Code | A [mm] | B [mm] | C [mm] | D [mm] | Ø E [mm] | F [mm] | G [mm] | G.1 [mm] | Temperature class (gas) | Temperature class (dust) | Detail |
|--------|--------|--------|--------|--------|----------|--------|--------|----------|-------------------------|--------------------------|--------|
| EFDC3D | 145 | 295 | 147,5 | 120 | 9 | 1" NPT | 145 | 125 | T6 T5 | T85 °C T100 °C | A |
| EFDC3T | 145 | 425 | 130 | 120 | 9 | 1" NPT | 145 | 125 | T6 T5 | T85 °C T100 °C | B |

Reference details

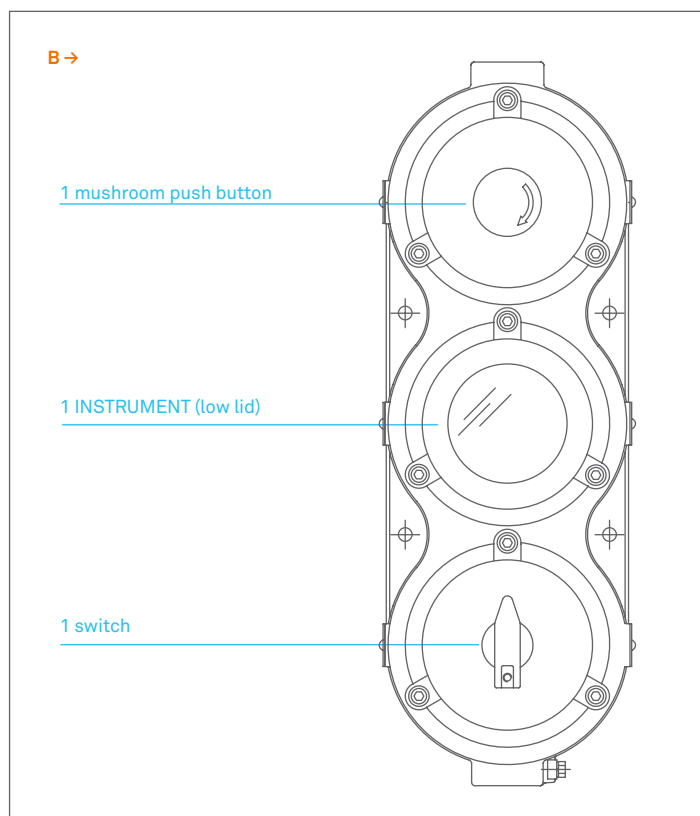


*Low lid, only for glass window

Installation examples



*Low lid, only for glass window



Operator arrangement:

on each cover is possible to fit the following material:

- 1 48x48 instrument (low lid with glass)
- Up to 3 pilot lights (as EFDC...r, see bulletin 65)
- Up to 3 push button (as EFDC...r, see bulletin 65)
- 1 Mushroom push button (as EFDC..., see bulletin 65)
- 1 Selector switch (as efsc..., see bulletin 66)

REMARK:

Due to the development of the national and international specifications and of the technology, the above technical characteristics showed on this bulletin can be considered as binding on our confirmation only.