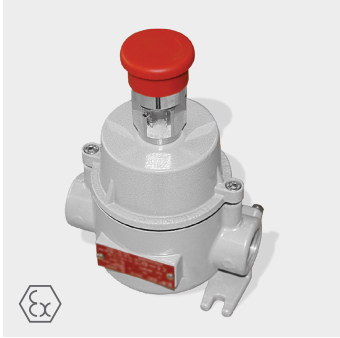


EFDC

Push buttons and control stations

EFDC1EFSR →



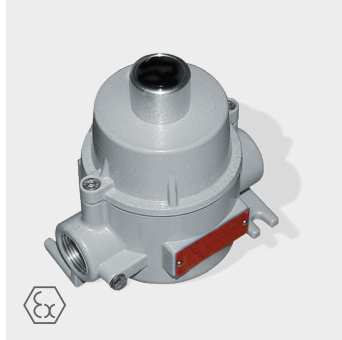
EFDC1E →



EFDC333R →



EFDC1 →



EFDC1EF →



EFDC12R →



Installation

hazardous areas - Zone 1 / 2 (Gases) - Zone 21 / 22 (Dusts)

Classification

Group II - Category 2G 2D

Reference standards

Directive 2014/34/EU	
Execution	⊕ II 2 G Ex d IIC T6/T5 Gb ⊕ II 2 D Ex tb IIIC T85 °C / T100 °C Db
Rules of compliance	EN/IEC 60079-0; EN/IEC 60079-1; EN/IEC 60079-31
EU Type-Examination Certificate	INERIS 04 ATEX 0076X
Protection degree	IP66
Ambient temperature	-60 °C ÷ +60 °C
Other available certificates	IECEX: IECEX INE 11.0033X INMETRO: CEPEL 13.2255X RUSSIAN MARINE CERTIFICATE (RMRS): 19.02523.280 CCC: 2020122304113843 KC: 14-KB4BO-0445 ÷ 14-KB4BO-0447 ECASEx: 23-06-22481/Q23-06-048569/NB0002

Mechanical characteristics

Body	marine grade copper free aluminium light alloy
Cover	marine grade copper free aluminium light alloy
Screws	stainless steel
Gasket	NBR rubber sealing ring

On Request Accessories

- External epoxy painting with colour on request

Technical features

Code	A [mm]	B [mm]	C [mm]	D [mm]	Ø E [mm]	Temperature class (gas)	Temperature class (dust)	Weight [kg]	Detail
EFDC1/2	120	115	95	55	3/4" NPT	T6 T5	T85 °C T100 °C	0,90	A
EFDC3	120	120	95	55	3/4" NPT	T6 T5	T85 °C T100 °C	0,90	B
EFDC1E	120	135	95	55	3/4" NPT	T6 T5	T85 °C T100 °C	1,00	C
EFDC...R	140	125	100	80	1" NPT	T6 T5	T85 °C T100 °C	1,50	D
EFDC1EFSR	120	160	95	55	3/4" NPT	T6 T5	T85 °C T100 °C	0,90	E
EFDC1EF	120	130	95	55	3/4" NPT	T6 T5	T85 °C T100 °C	0,90	F

Operators type	Operators layout (quantity)					
Push button no (1)	1	1	2	1	1	3
Push button nc (2)	1	1	1	-	-	-
Pilot light (3)	1	-	-	2	1	-
Code examples:	EFDC123R	EFDC12R	EFDC112R	EFDC133R	EFDC13R	EFDC111R

Standard operators layout

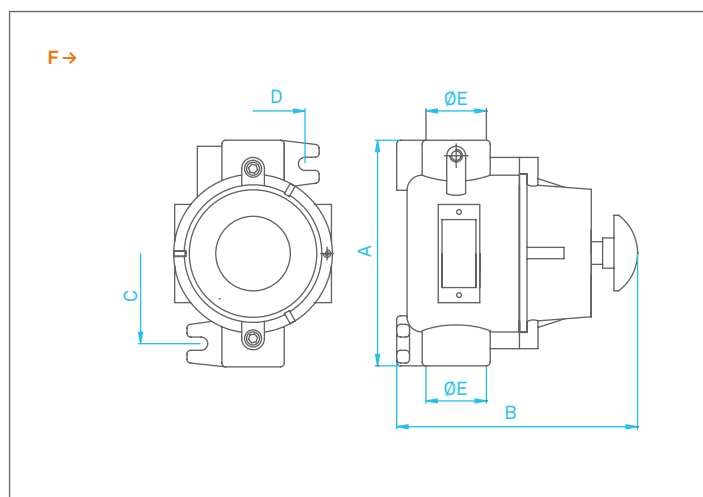
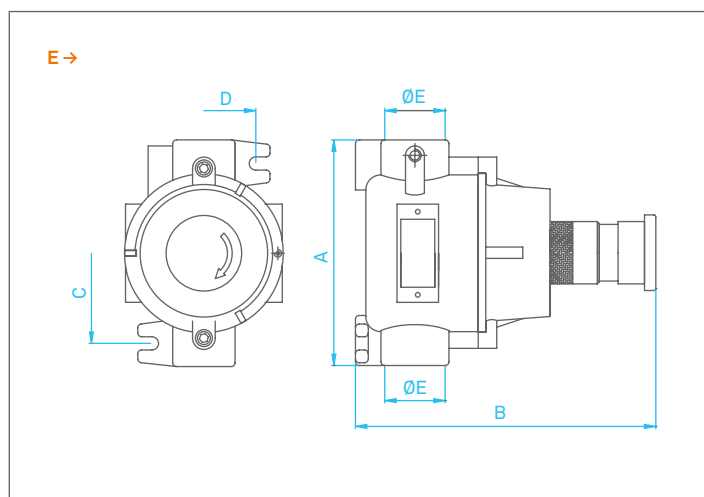
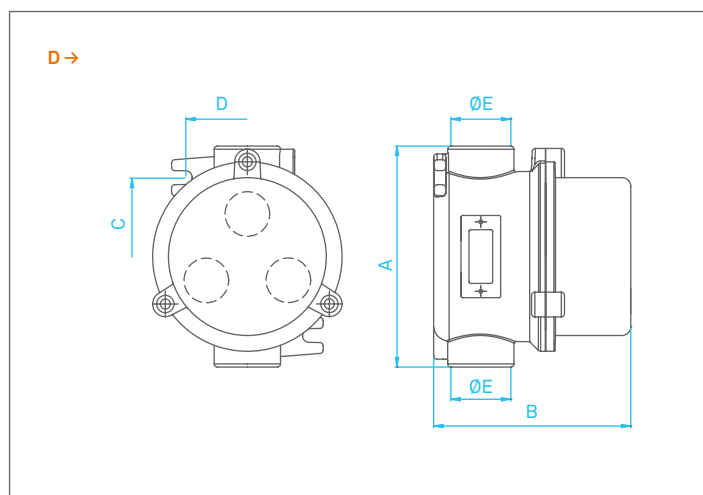
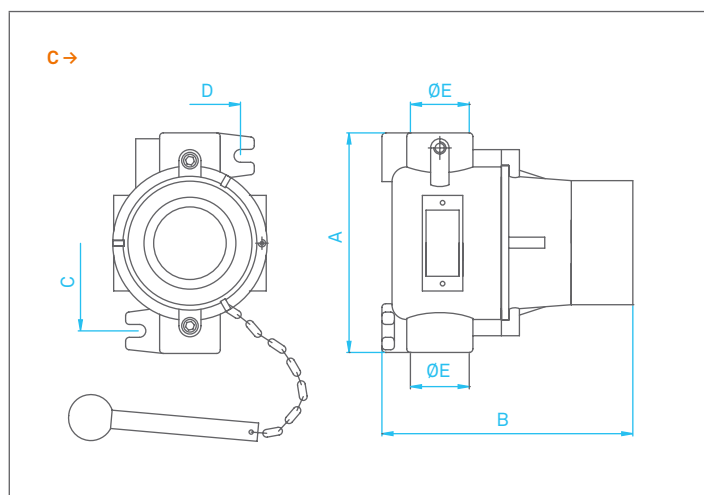
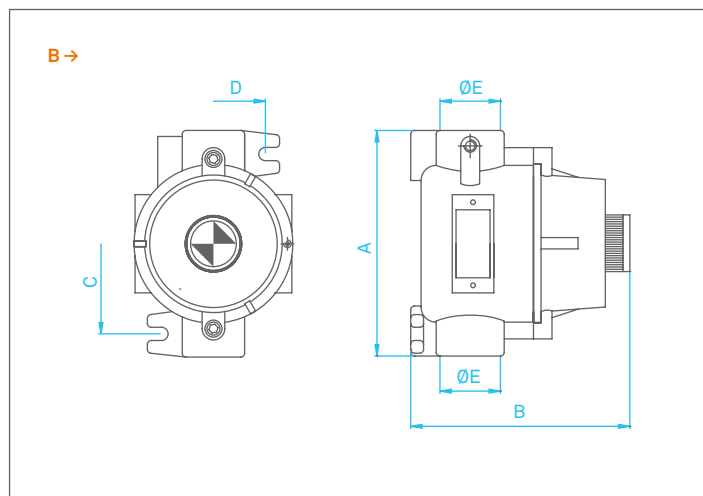
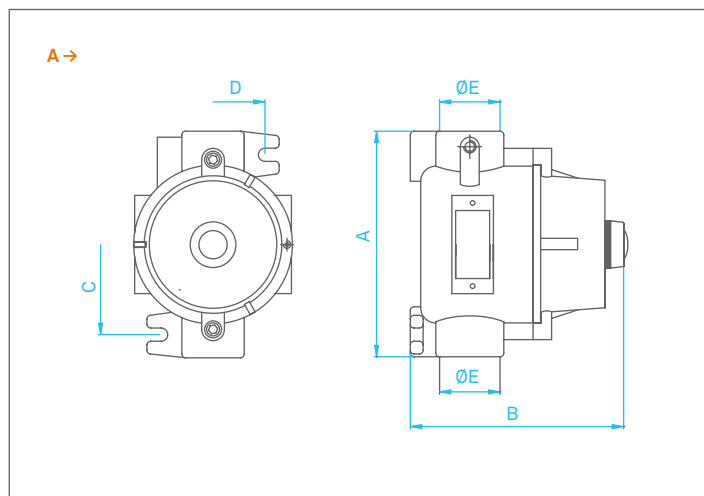
Code	Detail
EFDC1	A
EFDC2	A
EFDC1E (*)	C
EFDC1EF (**)	F
EFDC1EFSR	E
EFDC3R	B

Code	Detail
EFDC3V	B
EFDC111R	B
EFDC121R	D
EFDC122R	D
EFDC123R	D
EFDC222R	D

Code	Detail
EFDC13R	D
EFDC23R	D
EFDC133R	D
EFDC233R	D
EFDC33R	D
EFDC333R	D

* With breaking glass (emergency stop)
 ** With red mushroom emergency push button

Reference details



REMARK:
Due to the development of the national and international specifications and of the technology, the above technical characteristics showed on this bulletin can be considered as binding on our confirmation only.