



Limit switch metal encapsulated

BARTEC



Limit switch metal encapsulated

Features

- Very robust construction
- IP 65 type of protection
- A choice of cable exit positions
- 16 different actuator versions

Description

Limit switches of the RET range are metal-encapsulated precision switches with a robust and compact explosion-proof structures.

Our connection cable comes prewired, is equipped with a strain-relief device and safely cast into the enclosure. We supply this robust limit switch with a standard cable length of three meter. Special cable lengths and switches with lateral cable outlets are available on request. The integrated basic switch has a single-pole change-over contact with high switching accuracy and a precise repeatability of the switching point.

Its high vibration resistance and long mechanical life are the result of extensive laboratory tests. The high protection class, IP 67, allows the switch to be used in nearly all fields of automation, mechanical and high-tec engineering.

Explosion protection

Ex protection type

ATEX II 2G Ex d IIC T6 Gb
 II 2D Ex tb IIIC T80 °C Db

Certification

PTB 03 ATEX 1142 X

IECEX

Ex d IIC T6 Gb
 Ex tb IIIC T80 °C Db

Certification

IECEX EPS 12.0037 X

Other approvals and certificates, see www.bartec-group.com

Operating temperature

-20 °C to +90 °C
 depending on the model and the materials used

Limit switch ambient temperature

T6 to max. +60 °C
 depending on the rated current

Technical data

Protection class

IEC/EN 60529: IP 65

Enclosure

aluminium-alloy, hard-coated

Switching element

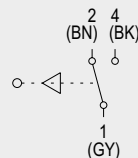
integrated micro-switch

Connection

4-core cable (H05VV-F)
 cross section: 0.75 mm²
 cable length: 3 m, 5 m, 10 m

Coloured flexible leads

- 1 = GY
- 2 = BN
- 4 = BK
- PE = GN/YE



Equipotential bonding

external Ex terminals

Utilization category

AC 15 5 A 250 V
 DC 13 0.16 A 230 V
 max. 25 VA for gold contacts

Switching capacity

	AC	DC (induct.)	DC (ohmic)
250 V	6,5 A	-	-
220 V	-	0.16 A	-
110 V	-	0.2 A	0.5 A
60 V	-	0.5 A	1.0 A
24 V	-	4.0 A	5.0 A
12 V	-	6.5 A	6.5 A

Electrical data

Type of contact

single-pole changeover contact

Contact resistance

60 mΩ, measure at the end of the cable a cable length of 1 metre

Short circuit protection

5 AgL/gG DIAZED fuse

Mechanical data

Switching point tolerance

± 0.5 mm depending on the actuator

Switching force tolerance

± 1 N

Repeat accuracy

± 0.1 mm

Mechanical service life

> 1 million operating cycles

Max. frequency of operation

1,800 operating cycles/h

Vibration resistance

10 g at 10 to 2 000 Hz

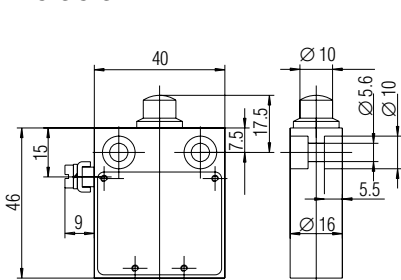
Shock resistance/shock stability

50 g at a shock duration of 6 ms

Cable outlet

- bottom
- side
- with bottom screw socket
- with lateral screw socket

Dimensions in mm



Selection chart

Contact material	Code no.	Cable outlet	Code no.	Cable length	Code no.
Ag	1	bottom	1	3 m	3
Ag Au 0.1 A	3	side	2	5 m	5
		with bottom screw socket	3		
Au 0.1 A	4	with lateral screw socket	4	10 m	0

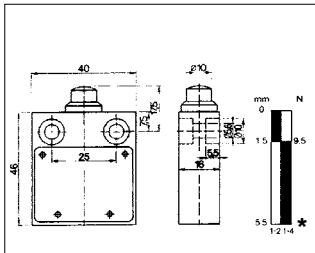
Complete order no. 07-295 - 30/ Actuator

Please enter code number.
 Technical data subject to change without notice.

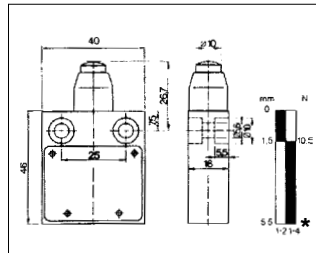


Dimensional drawings and contact travel diagrams

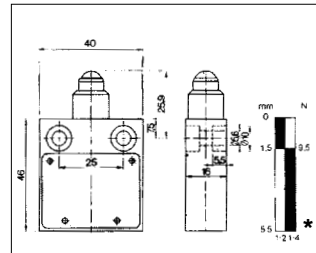
Plunger
07-2951-..30/01



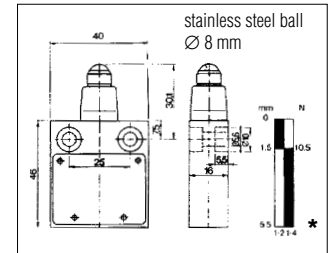
Membrane plunger
07-2951-..30/02



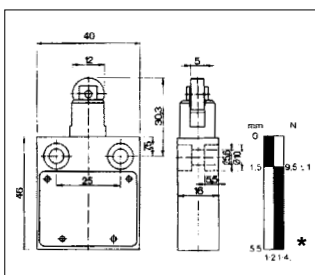
Spherical plunger
07-2951-..30/03



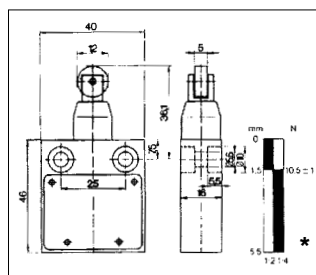
Spherical membrane plunger
07-2951-..30/04



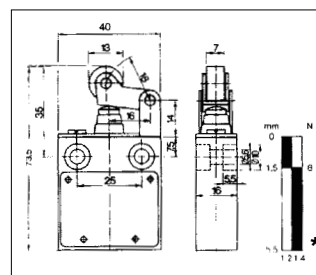
Roller plunger
07-2951-..30/09



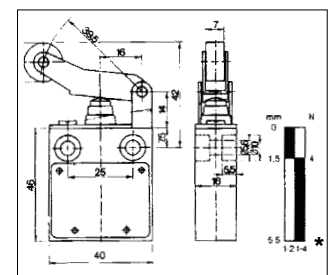
Membrane roller plunger
07-2951-..30/10



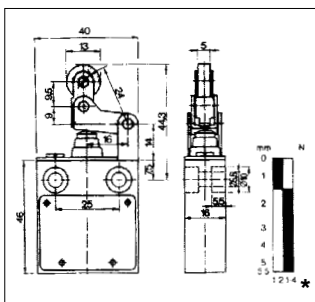
Membrane roller lever
07-2951-..30/14



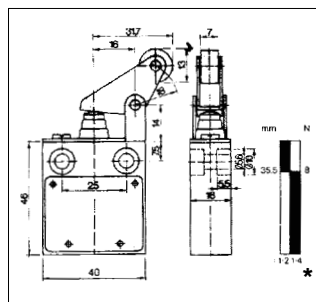
Membrane roller lever, long
07-2951-..30/16



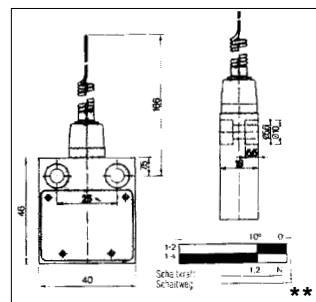
Membrane toggle roller lever
07-2951-..30/18



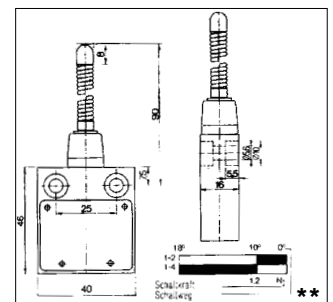
Parallel roller lever
07-2951-..30/20



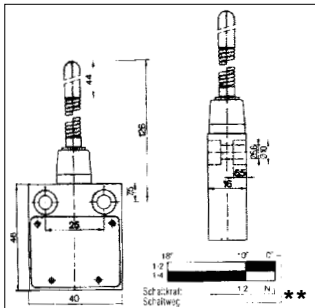
Feeler lever
07-2951-..30/32



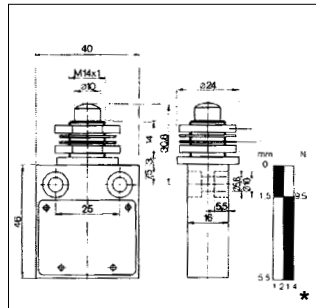
Feeler-butt lever
07-2951-..30/34



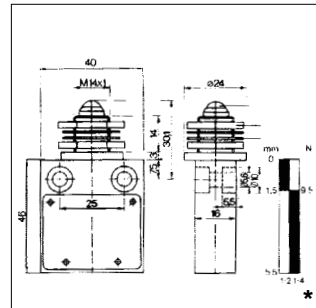
Feeler plastic lever
07-2951-..30/36



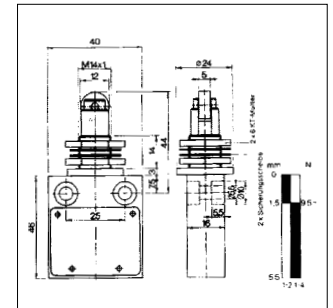
Front-mounting dome plunger
07-2951-..30/47



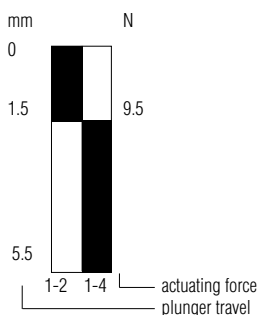
Front-mounting spherical plunger
07-2951-..30/49



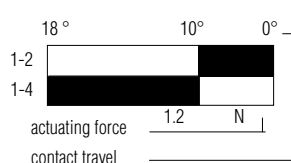
Front-mounting-roller lever
07-2951-..30/51



*** Contact travel diagram**



**** Contact travel diagram**



* Dimensions for an additional actuator are reference values

Cable outlet

