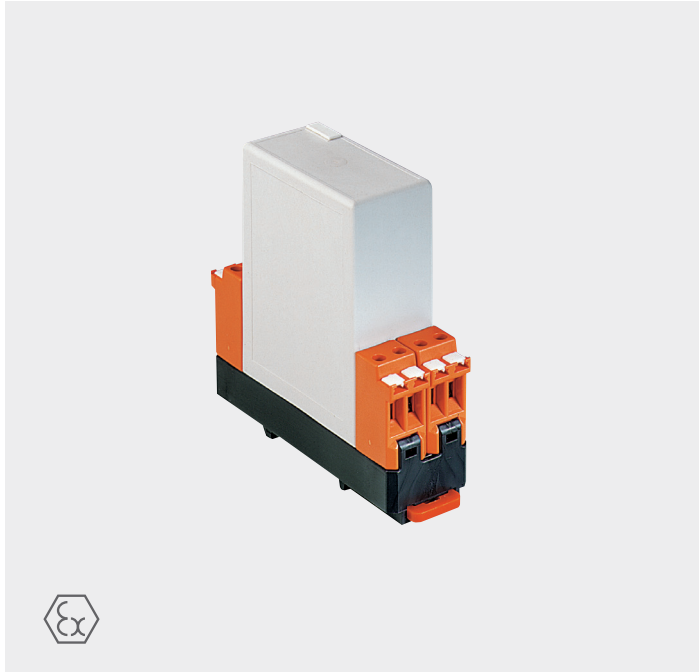
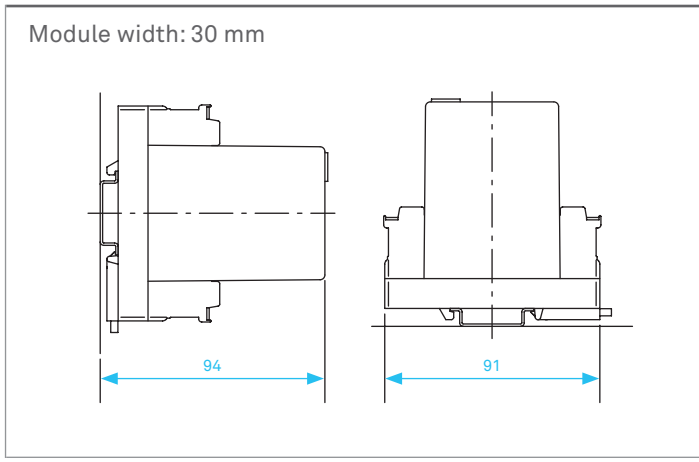


Relay 1 changeover contact/ 2 changeover contacts



The relay modules offer most up-to-date switching configurations. A suppressor diode on the coil protects the power circuit from peak voltages. The relay is used to switch power circuits up to 6 A. Thanks to its low power consumption it can be controlled by means of electronic circuits, optorelays from BARTEC or standard control circuits.

Dimensions/mounting positions



Explosion protection

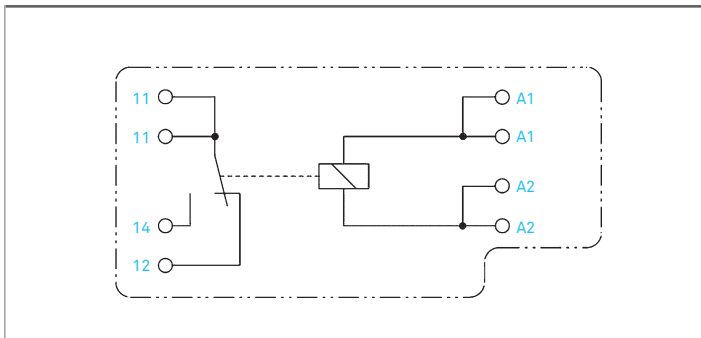
Marking ATEX	Ⓢ II 2G Ex db e IIC Gb Ⓢ I M2 Ex db e I Mb
Certification	PTB 97 ATEX 1068 U
Marking IECEx	Ex db e IIC Gb Ex db e I Mb
Certification	IECEx PTB 11.0083U
Marking CSA	Class I, Zone 1, IIC A/Ex d e IIC Gb
Certification	CSA 2011-2484303U

Other approvals and certificates, see bartec.com

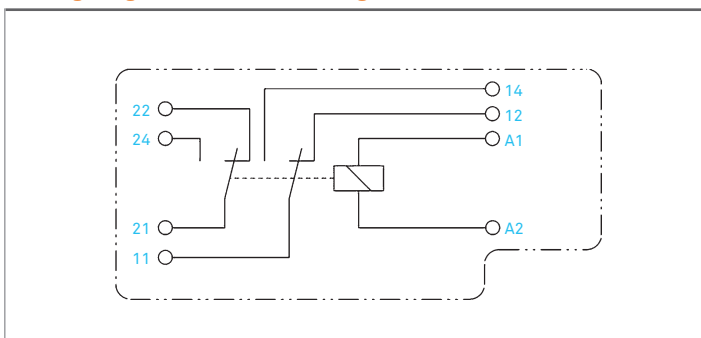
Technical data

Enclosure material	High-quality thermoplastic		
Protection class	Module	IP 66	EN/IEC 60529
	Terminals	IP 20	EN/IEC 60529
Terminals	2.5 mm ² , fine stranded		
Mounting rail	TH 35 x 7.5 (15) EN/IEC 60715		
Labelling	written marking labels		
Ambient temperature	-20 °C to +40 °C T6		
	AC/DC Version 12 V and 24 V with Mounting distance 15 mm -20 °C to +55 °C T6		
	AC Version 110/120 V and 240 V with Mounting distance 8 mm -20 °C to +55 °C T6		
Storage temperature	-40 °C to +70 °C		
Weight	0.250 kg		

Wiring diagram 1/terminal assignment 1



Wiring diagram 2/terminal assignment 1



Electrical data

Coil data				
AC/DC 12 V	AC/DC 24 V	AC 110 V	AC 120 V	AC 230/240 V
± 10 %	± 10 %	+10 %	+10 %/60 Hz	+ 10 %
0.45 W	0.46 W	1.2 VA	1.0 VA	1.2 VA
0.6 VA	0.56 VA			
Making current (16 ms)		20 A (1 changeover contact) 10 A (2 changeover contacts)		
Test voltage		Coil-contact 4 kV		
Mechanical life		> 20 x 10 ⁶ switching cycles		
Electrical life		> 1 x 10 ⁵ switching cycles/AC 230 V 6 A ohmic load (1 changeover contact) > 1 x 10 ⁵ switching cycles/AC 230 V 3 A hmic load (2 changeover contacts)		
Operating frequency		1800 switching cycles/h		

Contact data Contact material AgCdO

U _A	I _{max.}	P _{max.}	(1 changeover contact)	
AC 400 V	2.0 A	0700 VA	}	cos φ = 1
AC 250 V	6.0 A	1400 VA		ohmic load
DC 125 V	0.6 A	0075 W	}	cos φ = 1
DC 050 V	3.0 A	0150 W		ohmic load
U _A	I _{max.}	P _{max.}	(2 changeover contact)	
AC 400 V	1.0 A	350 VA	}	cos φ = 1
AC 250 V	3.0 A	700 VA		ohmic load
DC 125 V	0.25 A	30 W	}	cos φ = 1
DC 050 V	1.5 A	75 W		ohmic load

Ordering information

	Contacts	Code no.
A	1 changeover	1
	2 changeover	2
Voltage		
B	AC/DC 12 V	2
	AC/DC 24 V	3
	AC 110 V 50/60 Hz	7
	AC 120 V / 60 Hz	H
	AC 230 V / 240 V	9

Complete order no.

0	7	-	7	3	1	1	-	9	3	7	*	/	*	0	0	0
											A	B				

Relay, 2 changeover contacts also available in AC/DC 48 V.

Order no. 07-7311-9372/4000

Please insert correct code.