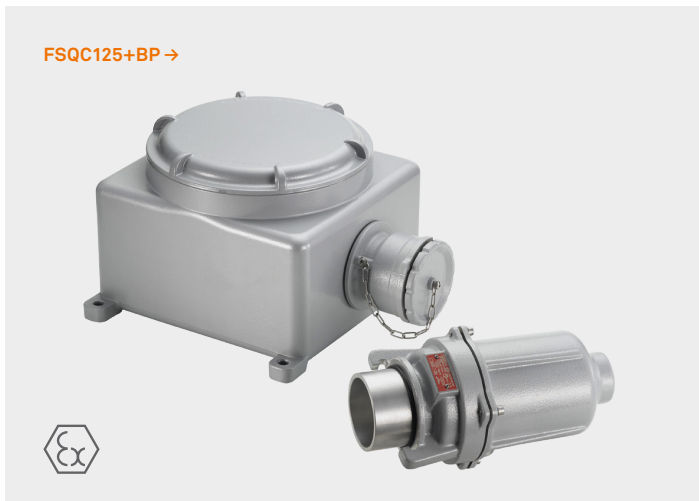


CPSC / CPH FSQCA-FSQC / BPA-BP

Interlocked switch sockets & plugs



Installation

hazardous areas - Zone 1 / 2 (Gases) - Zone 21 / 22 (Dusts)

Classification

Group II - Category 2G 2D

Reference standards

Directive 2014/34/EU	
Execution	Ⓜ Ex II 2 G Ex db IIC T6/T5/T4 Gb Ⓜ Ex II 2 D Ex tb IIIC T85 °C/T100 °C/T135 °C Db
Rules of compliance	EN/IEC 60079-0, EN/IEC 60079-1, EN/IEC 60079-31
EU Type-Examination Certificate	INERIS 18 ATEX 0013X
Protection degree	IP66
Ambient temperature	-60 °C ÷ +60 °C
Other available certificates	IECEx: IECEx INE18.0007X RUSSIAN MARINE CERTIFICATE (RMRS): 19.02523.280 CCC: 2020122308113750 INMETRO: CEPEL 14.2323X ECASEx: 23-06-22481/Q23-06-048569/NB0002

Mechanical characteristics

Body	marine grade copper free aluminium light alloy
Cover	marine grade copper free aluminium light alloy
Screws	stainless steel
Pins	brass

On Request Accessories

- External epoxy painting with colour on request
- Cable entries with different threads from standards

Technical features

Code	A [mm]	B [mm]	C [mm]	D [mm]	E [mm]	Ø F [mm]	Ø G [mm]	Fixing Hxi [mm]	Temperature class (gas)	Temperature class (dust)	weight [kg]	Detail
CPSC/CPH	195	370	113	155	140	3/4" NPT	1"NPT	92-90	T6 (Ta -60 °C ÷ +40 °C) T5 (Ta -60 °C ÷ +60 °C)	T85 °C T100 °C	2,8	A
FSQC/BPA	230	415	155	200	163	1" NPT	1"NPT	125-80	T6 (Ta -60 °C ÷ +40 °C) T5 (Ta -60 °C ÷ +55 °C) T4 (Ta -60 °C ÷ +60 °C)	T85 °C T100 °C T135 °C	4,0	B
FSQC125/BP125	380	615	275	305	225	1 1/2" NPT	1 1/2" NPT	308x270	T6 (Ta -60 °C ÷ +60 °C)	T85 °C	15,5	C

Interlocked socket and plugs

Socket code	Plug code	Poles	Voltage (50/60Hz)	Current
CPSC212-25A	CPH212-25A	2P+T (PE)	12 V	-
CPSC224-25A	CPH224-25A	2P+T (PE)	24 V	
CPSC248-25A	CPH248-25A	2P+T (PE)	48 V	
CPSC211-25A	CPH211-25A	2P+T (PE)	110/130 V	
CPSC222-25A	CPH222-25A	2P+T (PE)	220/250 V	
CPSC338-25A	CPH338-25A	3P+T (PE)	380/500 V	
CPSC438-25A	CPH438-25A	3P+N+T (PE)	380/500 V	

Interlocked sockets and plugs with circuit breaker

Socket code	Plug code	Poles	Voltage (50/60Hz)	Current
FSQCA235	BPA235	2P+T (PE)	220/250 V	32 A
FSQCA335	BPA335	3P+T (PE)	380/400 V	32 A
FSQCA260	BPA260	2P+T (PE)	220/250 V	63 A
FSQCA360*	BPA360	3P+T (PE)	380/400 V	63 A

* Threaded hole ØF:1-1/2" NPT

Interlocked sockets and plugs with on-load switch

Socket code	Plug code	Poles	Voltage (50/60Hz)	Current
FSQC235	BPA235	2P+T (PE)	220/250 V	32 A
FSQC335	BPA335	3P+T (PE)	380/500 V	32 A
FSQC435	BPA435	3P+N+T (PE)	380/500 V	32 A
FSQC260	BPA260	2P+T (PE)	220/250 V	63 A
FSQC360*	BPA360	3P+T (PE)	380/500 V	63 A
FSQC460*	BPA460	3P+N+T (PE)	380/500 V	63 A

* Threaded hole ØF:1-1/2" NPT

125a interlocked sockets and plugs

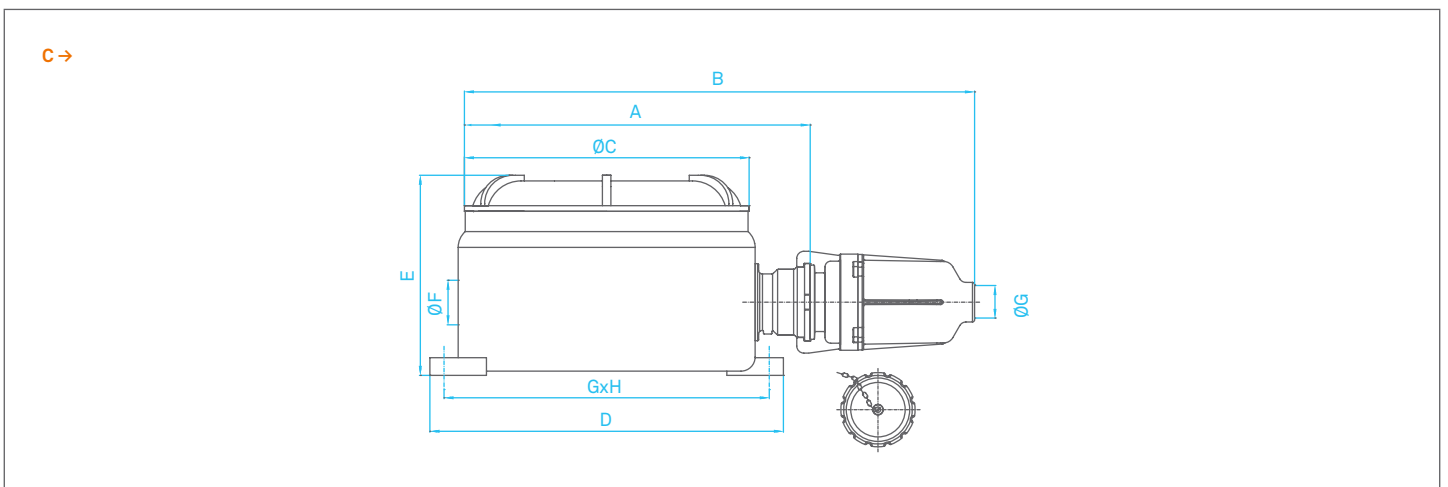
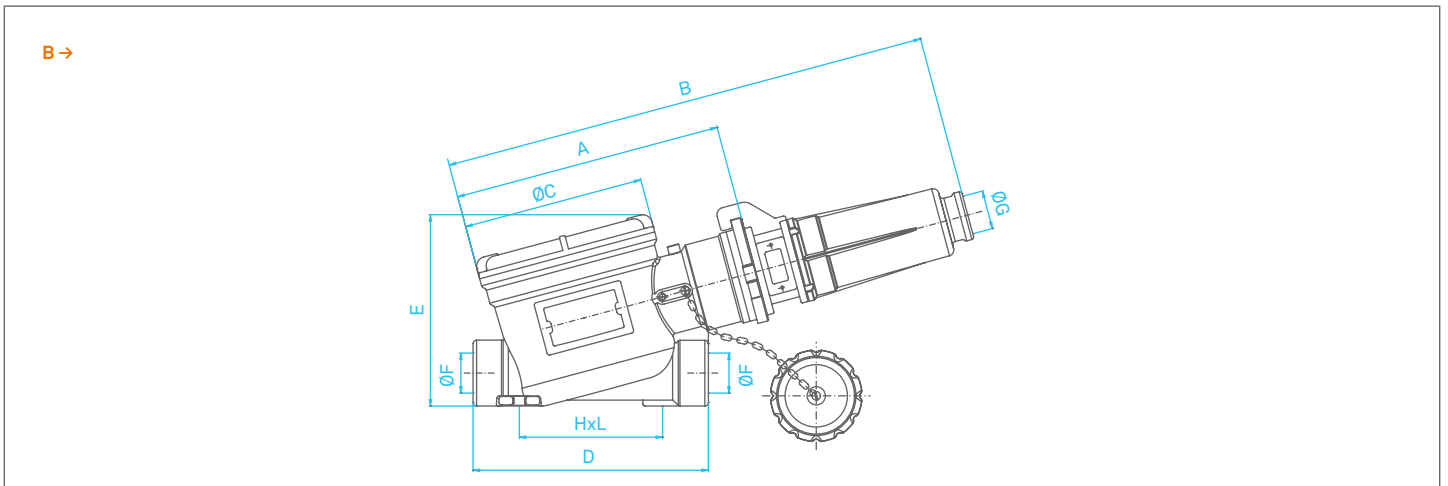
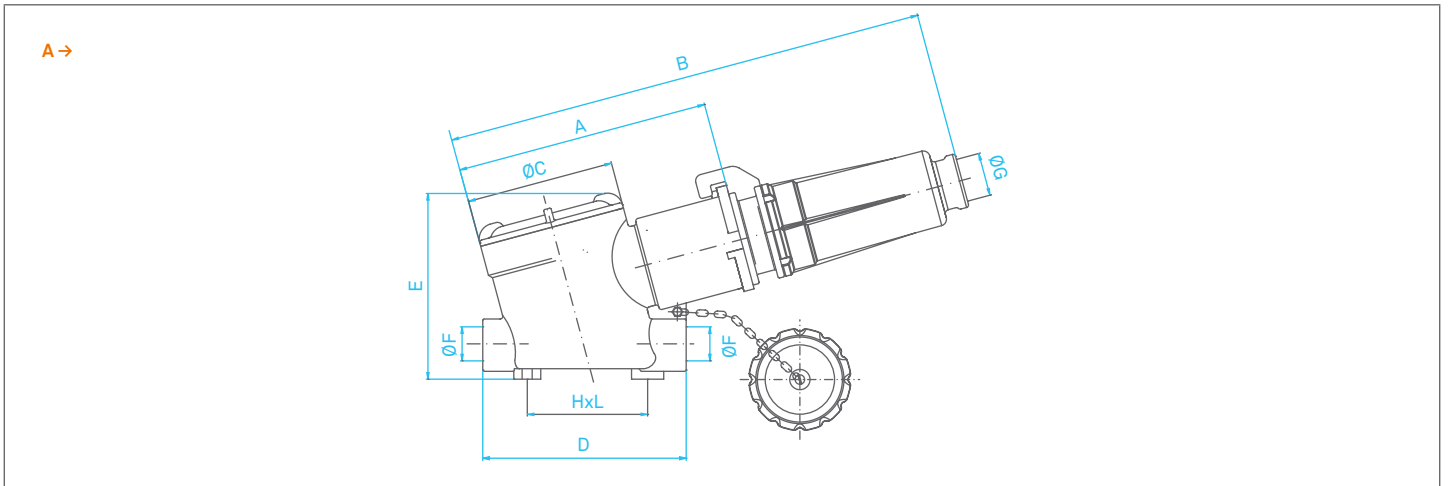
Socket code	Plug code	Poles	Voltage (50/60Hz)	Current
FSQC125-3	BP125-3	3P+T (PE)	380/500 V	125 A
FSQC125-4	BP125-4	4P+T (PE)	380/500 V	125 A

Sockets and plugs colour marking for industrial applications

Colour	Nominal working voltage
violet	20-25 V
white	40-50 V
yellow	100-130 V
blue	200-250 V
red	380-480 V
black	480-500 V

NOTE: Please refer to cpsc/fsqc bulletin for industrial application sockets and plugs colour marking

Reference details



REMARK:

Due to the development of the national and international specifications and of the technology, the above technical characteristics showed on this bulletin can be considered as binding on our confirmation only.