

Explosion protection

Marking ATEX	Ex II 2G Ex db eb IIC Gb Ex I M2 Ex db eb I Mb
Certification ATEX	CML 17 ATEX 1105 U
Marking IECEX	Ex db eb IIC Gb Ex db eb I Mb
Certification IECEX	IECEX CML 17.0045U
Ambient temperature	-55 °C to +60 °C
Other approvals and certificates, see www.bartec.com	

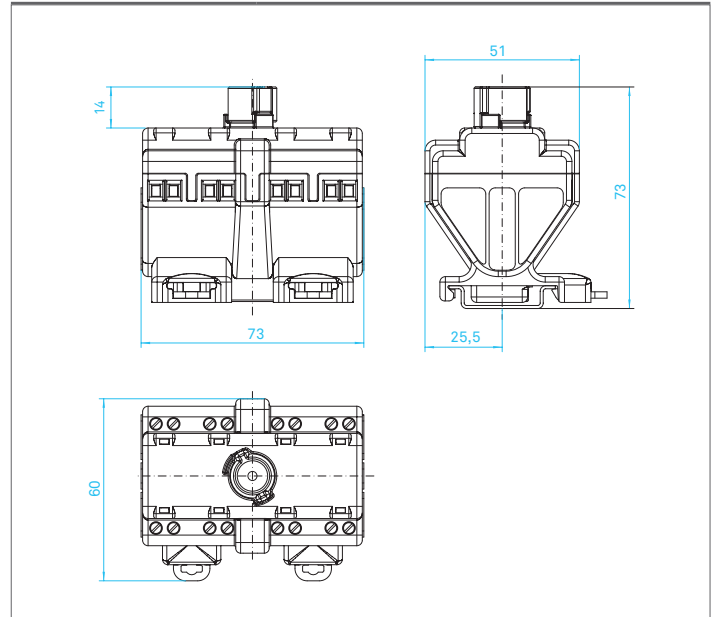
Technical data

Connection	terminals 2.5 mm ² , fine stranded 4 mm ² , fine stranded for switch- disconnectors		
Contact material	AgSnO ₂		
Enclosure material	thermoplastic		
Installation	on TS 35 x 7.5 mounting rail		
Switch function	max. 4 switch contacts different NC/NO contact assemblies latching and momentary-contact functions with different switch positions		
Contacts	contacts with positive break operation (self-cleaning)		
Installation	in ComEx double and triple enclosures and in control units as floor mounting and front-panel mounting		
Switch-disconnector	DIN EN 60947-3 (main motor switch)		
3-phase (3x main contacts and 1x auxiliary contact)	AC-23: 25 A 690 V	AC-3: 20 A 400 V	AC-3: 16 A 690 V
Control switch according to DIN EN 60947-5-1 (auxiliary circuit switch)	AC-15	400 V	10 A
	AC-12	400 V	16 A
	DC-13	110 V	1 A
	DC-13	60 V	2 A

Electrical data

Rated insulation voltage	U _i = 690 V U _e = 690 V
Rated impulse strength	U _{imp} = 6 kV
Conditional rated short-circuit current at	I _e = 2 kA at 690 V
Short-circuit current (general-purpose l.v.h.b.c back-up fuse for the protection of cables and circuits)	max. 25 A
Nominal thermal current	(+40 °C) I _{the} = 25 A (+60 °C) I _{the} = 11 A

Dimensions



Ordering information

Contact arrangement of control switch	Code no.	Contact arrangement of control switch	Code no.																																													
<table border="1"> <tr><td>0</td><td></td><td></td><td></td><td></td></tr> <tr><td>I</td><td>X</td><td>X</td><td>X</td><td>X</td></tr> </table> <p>13 23 33 43 14 24 34 44</p>	0					I	X	X	X	X	A01	<table border="1"> <tr><td>I</td><td>X</td><td>X</td><td></td><td></td></tr> <tr><td>0</td><td></td><td></td><td></td><td></td></tr> <tr><td>II</td><td></td><td></td><td>X</td><td>X</td></tr> </table> <p>13 23 33 43 14 24 34 44</p>	I	X	X			0					II			X	X	C06																				
0																																																
I	X	X	X	X																																												
I	X	X																																														
0																																																
II			X	X																																												
<table border="1"> <tr><td>0</td><td></td><td></td><td>X</td><td>X</td></tr> <tr><td>I</td><td>X</td><td>X</td><td></td><td></td></tr> </table> <p>13 23 31 41 14 24 32 42</p>	0			X	X	I	X	X			A02	<table border="1"> <tr><td>0</td><td></td><td></td><td>X</td><td>X</td></tr> <tr><td>I</td><td></td><td></td><td></td><td></td></tr> <tr><td>II</td><td>X</td><td>X</td><td></td><td></td></tr> </table> <p>13 23 31 41 14 24 32 42</p>	0			X	X	I					II	X	X			C07																				
0			X	X																																												
I	X	X																																														
0			X	X																																												
I																																																
II	X	X																																														
<table border="1"> <tr><td>0</td><td>X</td><td></td><td></td><td></td></tr> <tr><td>I</td><td></td><td>X</td><td>X</td><td>X</td></tr> </table> <p>11 23 33 43 12 24 34 44</p>	0	X				I		X	X	X	A03	<table border="1"> <tr><td>0</td><td>X</td><td></td><td></td><td></td></tr> <tr><td>I</td><td></td><td>X</td><td></td><td></td></tr> <tr><td>II</td><td></td><td></td><td>X</td><td>X</td></tr> </table> <p>11 23 33 43 12 24 34 44</p>	0	X				I		X			II			X	X	E08																				
0	X																																															
I		X	X	X																																												
0	X																																															
I		X																																														
II			X	X																																												
<table border="1"> <tr><td>0</td><td>X</td><td>X</td><td>X</td><td></td></tr> <tr><td>I</td><td></td><td></td><td></td><td>X</td></tr> </table> <p>11 21 31 43 12 22 32 44</p>	0	X	X	X		I				X	A04	<table border="1"> <tr><td>I</td><td>X</td><td>X</td><td></td><td></td></tr> <tr><td>0</td><td></td><td></td><td></td><td></td></tr> <tr><td>II</td><td></td><td></td><td>X</td><td>X</td></tr> </table> <p>13 23 33 43 14 24 34 44</p>	I	X	X			0					II			X	X	E09																				
0	X	X	X																																													
I				X																																												
I	X	X																																														
0																																																
II			X	X																																												
<table border="1"> <tr><td>0</td><td>X</td><td></td><td></td><td></td></tr> <tr><td>I</td><td></td><td>X</td><td></td><td></td></tr> <tr><td>II</td><td></td><td></td><td>X</td><td></td></tr> <tr><td>III</td><td></td><td></td><td></td><td>X</td></tr> </table> <p>11 23 33 43 12 24 34 44</p>	0	X				I		X			II			X		III				X	H05	<table border="1"> <tr><td>0</td><td></td><td></td><td></td><td></td></tr> <tr><td>I</td><td>X</td><td></td><td></td><td></td></tr> <tr><td>II</td><td></td><td>X</td><td></td><td></td></tr> <tr><td>III</td><td></td><td></td><td>X</td><td></td></tr> <tr><td>IV</td><td></td><td></td><td></td><td>X</td></tr> </table> <p>13 23 33 43 14 24 34 44</p>	0					I	X				II		X			III			X		IV				X	L01
0	X																																															
I		X																																														
II			X																																													
III				X																																												
0																																																
I	X																																															
II		X																																														
III			X																																													
IV				X																																												
Contact arrangement of Switch-disconnector																																																
<table border="1"> <tr><td>0</td><td></td><td></td><td></td><td></td></tr> <tr><td>I</td><td>X</td><td>X</td><td>X</td><td>X</td></tr> </table> <p>1 3 5 13 2 4 6 14</p>	0					I	X	X	X	X	N01	<table border="1"> <tr><td>0</td><td></td><td></td><td></td><td>X</td></tr> <tr><td>I</td><td>X</td><td>X</td><td>X</td><td></td></tr> </table> <p>1 3 5 11 2 4 6 12</p>	0				X	I	X	X	X		N02																									
0																																																
I	X	X	X	X																																												
0				X																																												
I	X	X	X																																													

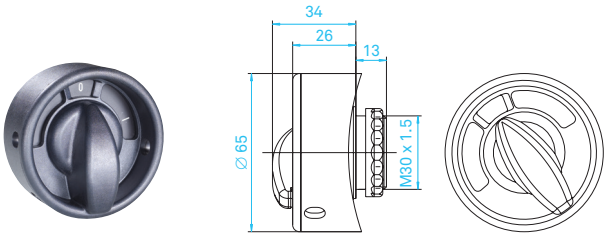
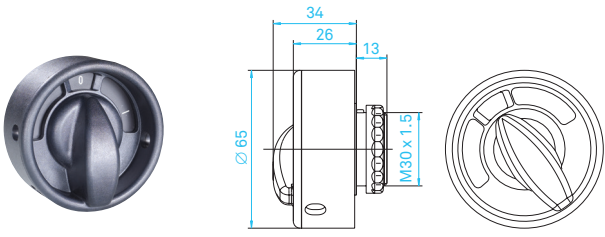
Further contact versions are available upon request.

Complete order no

Please enter code number.

0 7 - 3 3 3 1 - 1 * * *

Ordering information

Illustration/Dimensions	Description	Order no.
for ComEx enclosure	Black position selector with protective collar, lockable* only for 4-pole switch	
	0 - I	for ComEx enclosure für Control unit (flat) 05-0003-006201 05-0003-006301
	I - II	for ComEx enclosure für Control unit (flat) 05-0003-006202 05-0003-006302
	I - 0 - II	for ComEx enclosure für Control unit 05-0003-006203 05-0003-006303
for control unit/ComEx 316L		
	0 - I - II	for ComEx enclosure für Control unit (flat) 05-0003-006204 05-0003-006304
	0 - I - II - III	for ComEx enclosure für Control unit (flat) 05-0003-006205 05-0003-006305
	0 - I - II - III - IV	for ComEx enclosure für Control unit (flat) 05-0003-006206 05-0003-006306
	HAND - 0 - AUTO	for ComEx enclosure für Control unit (flat) 05-0003-006209 05-0003-006309

* As standard, there are 3 boreholes in the protective collar to fit padlocks. If no further details are given on which switching position is to be locked, the boreholes are provided in the switch position 0 (I), others to customer specifications.

BARTEC

BARTEC GmbH
Max-Eyth-Str. 16
97980 Bad Mergentheim
Germany

Phone: +49 7931 597 0

bartec.com