

- One module for all intrinsically safe application areas
- Long service life
- Excellent luminosity

The ComEx Ex i illuminated button indicates command modes by means of a light signal lighting up or going out. It is suitable for use in almost all hazardous (potentially explosive) areas in which a visual indication of the machine's functional status is required. The illuminated buttons are designed to conform to the requirements of the "e increased safety", "d flameproof enclosure", and "i intrinsic safety types of protection". They may be activated by intrinsically safe circuits. The illuminated buttons can be combined with various lamp module actuators. Each illuminated button is fitted into a mounting hole in a control console or a control panel. The respective illuminated button is intended for fitting onto a mounting rail. Conductors are connected using terminals with increased safety on the back of the module. The lamp module actuator can be fitted easily, without the use of tools, which ensures conformance to the high IP degree of protection.

Explosion protection

Marking ATEX	⊕ II 2G Ex db eb ia IIC Gb ⊕ I M2 Ex db eb ia I Mb
Certification	CML 17 ATEX 1106 U
Marking IECEx	Ex db eb ia IIC Gb Ex db eb ia I Mb
Certification	IECEX CML 17.0046U
Other approvals and certificates, see www.bartec.de	
Umgebungstemperatur	-55 °C bis +60 °C

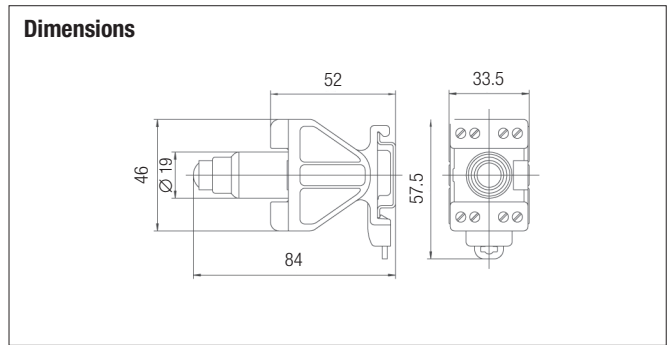
Technical data

Protection class	determined by the actuating element and ComEx enclosure, min. IP 66, terminals IP 20
Rated operating voltage (U _e)	AC/DC 10 to 30 V
Frequency range	with AC supply 30 to 100 Hz
Power consumption	≤ 0.5 W
Lamp	LED, red, green, yellow, white, blue
Illumination	very bright, visible angle over 180°
Contacts	1 NC contact or 1 NO contact as snap-action switching elements
Switching capacity	DC-13 0.25 A/24 V
Enclosure material	thermoplastic
Type of connection	terminals 2.5 mm ² , fine-stranded
Service life	> 10 ⁵ running hours
Mechanical life	> 10 ⁵ switching cycles
Storage and transport temperature	-55 °C to +70 °C
Weight	approx. 110 g
Fastening	onto TS 35 x 7.5 mounting rail
Shock resistance	DIN EN/IEC 60068-2-27, 30 g, 18 ms DIN EN/IEC 60068-2-6, 4 g, 1.6 mm

Intrinsically safe parameters

Input voltage (U _i)	30 V
Input current (I _i)	150 mA
Input power (P _i)	1 W
Inductance (L _i)	negligible
Capacitance (C _i)	negligible

Dimensions



Ordering information

Type of contact	Code no.	Colour LED	Code no.	Colour actuator	Code no.
1 NC	5	red	1	red	3
		green	2	green	4
		yellow	3	yellow	5
1 NO	6	white	4	white	6
		blue	5	blue	7

Complete order no.

Illuminated button without actuating element 07-3361-1 0

Actuating element Standard 05-0003-006 00

Increased oil resistance 05-0003-006 00BN

Please enter code number.
 Technical data subject to change without notice.