



- One module for all fields of application
- Illumination 180°
- High flexibility thanks to the junction box
- Easy installation
- High IP protection type

The ComEx lamp module signals command modes by means of a light signal. It is suitable for use in almost all potentially explosive areas in which the functional status of machinery needs to be visibly displayed. The lamp modules are executed according to the requirements of type of protection “e increased safety” and “d flameproof enclosure”. The lamp module can be combined with various lamp module actuators. A junction box is provided for the safe and convenient installation of the module in a control panel. Conductors are connected using terminals with increased safety on the back of the module. The simple installation of the lamp module actuators, without the use of tools, guarantees the high IP protection type.

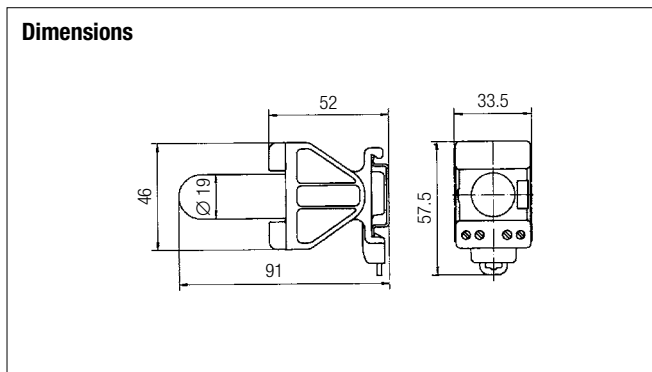
**Explosion protection**

Marking ATEX	II 2G Ex db eb IIC Gb I M2 Ex db eb I Mb
Certification	CML 17 ATEX 1106 U
Marking IECEx	Ex db eb IIC Gb Ex db eb I Mb
Certification	IECEx CML 17.0046U
Other approvals and certificates, see <a href="http://www.bartec.de">www.bartec.de</a>	
Ambient temperature	-55 °C to +50 °C +60 °C (AC/DC 12 V to 24 V)

**Technical data**

Protection class	determined by the actuating element and ComEx enclosure, min. IP 66, terminals IP 20
Rated insulation voltage	300 V
Rated operating voltage	AC 12 V to 250 V ( $T_a \leq +50\text{ °C}$ ) DC 12 V to 60 V ( $T_a \leq +50\text{ °C}$ ) AC/DC 12 V to 24 V ( $T_a \leq +60\text{ °C}$ )
Power consumption	$\leq 1\text{ W}$
Lamp	LED red, green, yellow, white, blue
Illumination	very bright, visible angle over 180°
Enclosure material	thermoplastic
Connection	terminals 2.5 mm <sup>2</sup> , fine stranded
Electrical life	>10 <sup>5</sup> running hours
Storage and transport temperature	-55 °C to +70 °C
Weight	approx. 90 g
Mounting	on mounting rail NS 35 x 7.5
Shock resistance	DIN EN/IEC 60068-2-27: 30 g 18 ms

**Dimensions**



**Ordering information**

Wiring diagram	Colour LED	Code no.	Colour actuator	Code no.
	red	1	red	3
	green	2	green	4
	yellow	3	yellow	5
	white	4	white	6
	blue	5	blue	7

Complete order no.

<b>Lamp module</b>	without actuating element	07-3351-11	<input type="checkbox"/> 0
<b>Actuating element</b>	Standard	05-0003-001	<input type="checkbox"/> 00
	Increased oil resistance	05-0003-001	<input type="checkbox"/> 00BN

Please enter code number.

Technical data subject to change without notice.