



- One module for all intrinsically safe application areas
- Illumination 180°
- High flexibility due to junction box
- Low installation depth

The ComEx<sup>flex</sup> Ex i lamp module indicates command modes by means of a light signal lighting up or going out. It is suitable for use in almost all hazardous (potentially explosive) areas in which a visual indication of a machine's functional status is required. The lamp modules are designed to conform to the requirements of the "e increased safety", "d flameproof enclosure" and "i intrinsic safety types of protection". They may be activated by intrinsically safe circuits. The lamp module can be combined with various lamp module actuators. A junction box is available to facilitate a safe and convenient installation of the module into a control panel. Conductors are connected using terminals with increased safety on the back of the module. The lamp module actuators can be fitted easily, without the use of tools, which ensures conformance to the high IP degree of protection.

**Explosion protection**

Marking ATEX	⊕ II 2G Ex db eb ia IIC Gb ⊕ I M2 Ex db eb ia I Mb
Certification	CML 17 ATEX 1106 U
Marking IECEx	Ex db eb ia IIC Gb Ex db eb ia I Mb
Certification	IECEX CML 17.0046U
Other approvals and certificates, see <a href="http://www.bartec.de">www.bartec.de</a>	
Ambient temperature	-55 °C to +60 °C

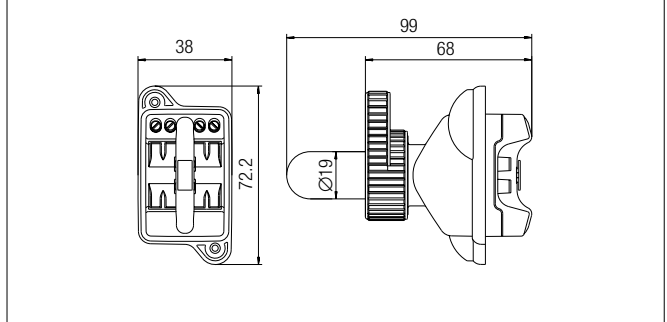
**Intrinsically safe parameters**

Input voltage (U <sub>i</sub> )	30 V
Input current (I <sub>i</sub> )	150 mA
Input power (P <sub>i</sub> )	1 W
Inductance (L <sub>i</sub> )	negligible
Capacitance (C <sub>i</sub> )	negligible

**Technical data**

Protection class	determined by actuating element and control unit enclosure, min. IP 66, terminals IP 20 (IEC 60529).
Rating operating voltage (U <sub>p</sub> )	AC/DC 10 to 30 V
Frequency range	with AC supply 30 to 100 Hz
Power consumption	≤ 0.5 W
Lamp	LED, red, green, yellow, white, blue
Illumination	very bright, visible angle over 180°
Enclosure material	thermoplastic
Type of connection	terminals 2.5 mm <sup>2</sup> , fine-stranded
Electrical life	>10 <sup>5</sup> running hours
Storage and transport temperature	-55 °C to +70 °C
Weight	approx. 110 g
Fastening	locked, by bayonet lock
Shock resistance	DIN EN 60068-2-27, 30 g, 18 ms DIN EN 60068-2-6, 4 g, 1.6 mm

**Dimensions**



**Ordering information**

Wiring diagram	LED colour	Code no.	Actuator colour	Code no.
	red	1	red	3
	green	2	green	4
	yellow	3	yellow	5
	white	4	white	6
	blue	5	blue	7

Complete order no.

<b>Lamp module</b> without actuator	07-3353-44	<input type="checkbox"/> 0
<b>Actuating element</b> Standard	05-0003-001	<input type="checkbox"/> 00
Increased oil resistance	05-0003-001	<input type="checkbox"/> 00BN

Please insert correct code.  
Technical data subject to change without notice.

