

ComEx control and indicating station

Typ 07-352*-*****



ComEx global control and indicating station, is a flexible system that offers both standardized and also customized local control and indicating stations. It is suitable for use in almost all potentially explosive areas.

The standard enclosures, single, double and triple can be equipped with various actuators and modules. Combinations of a maximum of 2 ComEx devices are possible. The ComEx control and indicating station are developed and certified for globally market.

- Easy installation
- Certified for zone 1 and 21
- Globally certified
- High IP rating up to IP67 and NEMA 4X



Explosion protection

Notified Body Number	CE0044
Approved Body Number	2503
ATEX/UKEX Ex protection type	II 2G Ex db eb IIC T6 Gb II 2G Ex db eb ia IIC T6 Gb II 2D Ex tb IIIC T80 °C Db
ATEX/UKEX certificate number	CML 21ATEX31165X CML 22UKEX3259X
IECEX Ex protection type	db eb IIC T6 Gb db eb ia IIC T6 Gb tb IIIC T80 °C Db
IECEX certificate number	IECEX CML 21.0132X
CEC (UL Mark)	Ex db eb IIC Gb Ex db ia IIC T6 Gb Ex tb IIC T80 °C Db Class I, Division 2, Groups A, B, C, D Class II, Division 2, Groups F, G Class III, Division 2, T6, T80 °C
NEC (UL Mark)	Class I, Zone 1, AEx db eb IIC T6 Gb Class I, Zone 1, AEx db ia IIC T6 Gb Zone 21, AEx tb IIIC T80 °C Db
UL certificate number	UL E184198
Ambient temperature	see Specific Condition of Use
Service temperatur	- enclosure, modules: -55 °C to +85 °C - actuators: -55 °C to +70 °C - cable gland: -55 °C to +70 °C or +75 °C
Product printing	Standard: ATEX, UKEX, IECEx and UL marking. Other markings on request. Please specify in plain text.

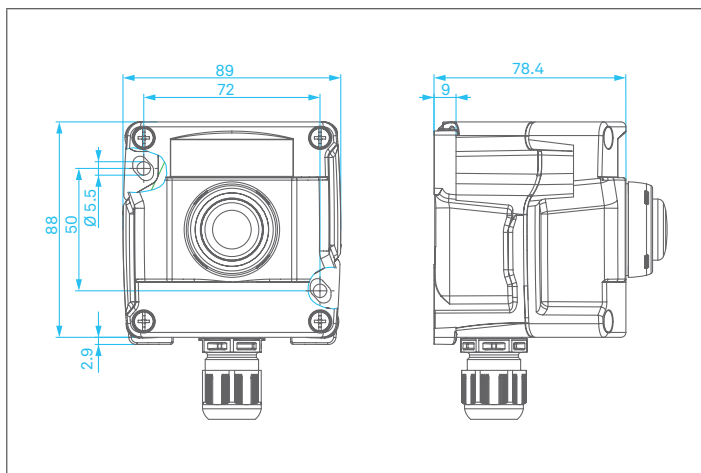
For further approvals and certificates, see bartec.com

Technical data

Degree of protection	Up to IP67 acc. to EN 60529 and NEMA 4X
Rated torque for screws	- module terminals 0.4 - 0.7 Nm - PE-carrier 0.4 - 0.7 Nm - earthing plate 0.4 - 0.7 Nm - conduit adaptor 0.4 - 0.7 Nm
Connection	0.75 mm ² - 2.5 mm ² /18 AWG - 12 AWG
Enclosure	GRP
Altitude	up to 2000 m

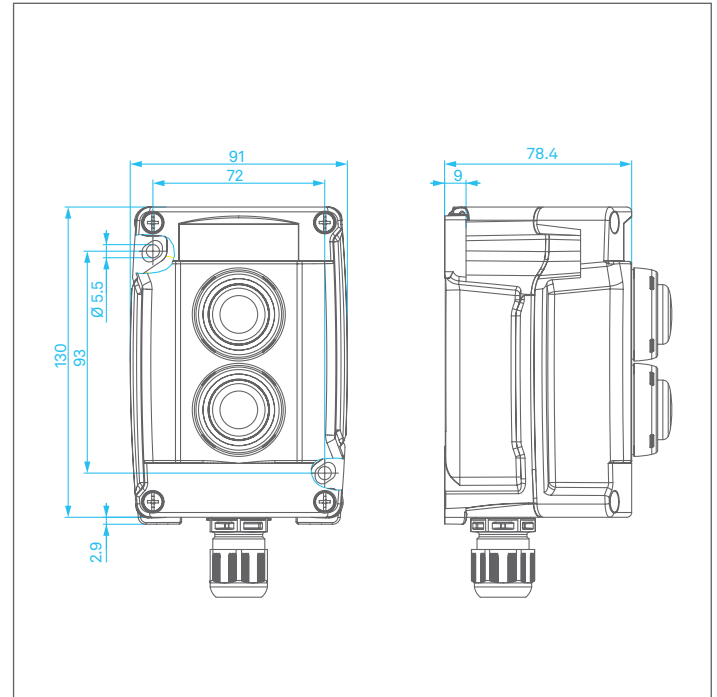
Dimensions in mm

Control unit, single Type 07-3521-....



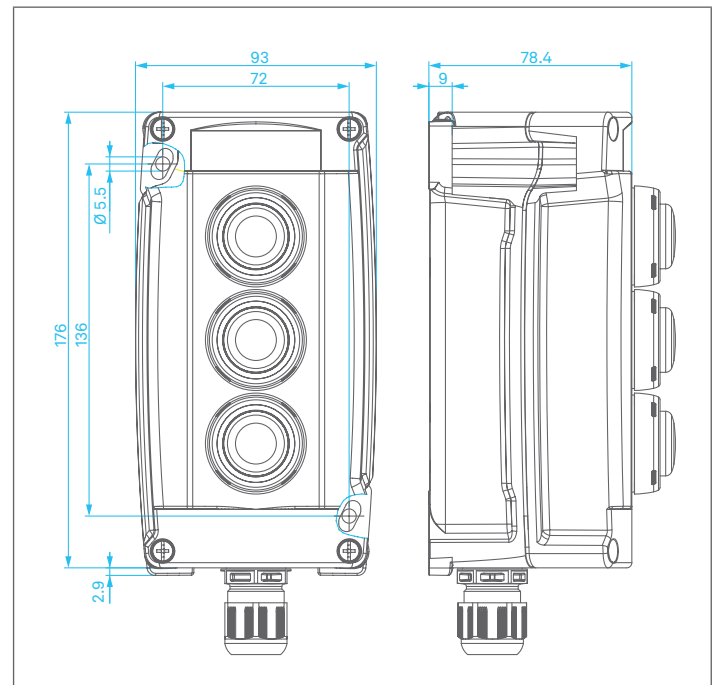
Dimensions in mm

Control unit, double Type 07-3522-....



Dimensions in mm

Control unit, triple Type 07-3523-....



Switch module with actuator (1 slot)

ACTUATOR



A* Push button



C* Double push button



N* Emergency stop pull to release



P1 Mushroom push button



S* Selector switch



R* Emergency twist to release



E* Key selector switch

SWITCH MODULE



1 slot



DD	<p>Actuator:</p> <ul style="list-style-type: none"> A1 – push button, universal with 4 labels (red, green, white and black) A2 – push button, green, “START” A3 – push button, red, “STOP” A4 – push button, green, “I” A5 – push button, red, “O” A6 – push button, green, “ON” A7 – push button, red, “OFF” A9 – push button, custom made to order C1 – double push button, universal with 4 labels (red, green, white and black) C2 – double push button, green “START” and red “STOP” C3 – double push button, green “ON” and red “OFF” C9 – double push button, custom made to order E0 – key-operated switch, 0-I latching, both pos. key withdrawable E1 – key-operated switch, 0-I momentary, pos. 0 key withdrawable E2 – key-operated switch I-0-II latching, both pos. key withdrawable E3 – key-operated switch I-0-II momentary, pos. 0 key withdrawable E4 – key-operated switch I-0-II latching, pos. 0 key withdrawable E5 – key-operated switch 0-I latching, pos. 0 key withdrawable N1 – Emergency stop pull to release, without labelling, with shroud N5 – Emergency stop pull to release, with labelling N6 – Emergency stop pull to release, with labelling, with shroud N8 – Emergency stop pull to release, without labelling R1 – Emergency stop twist to release, without labelling, with shroud R5 – Emergency stop twist to release, with labelling R6 – Emergency stop twist to release, with labelling, with shroud R8 – Emergency stop twist to release, without labelling P1 – mushroom push button S0 – selector switch, I-0-II latching S1 – selector switch, I-0-II momentary S2 – selector switch, I-0-II, I-latching II-momentary S3 – selector switch, I-0-II, I-momentary II-latching S8 – selector switch, 0-I latching S9 – selector switch, 0-I momentary
E	<ul style="list-style-type: none"> 1 – switch module 2 NC, silver contact 2 – switch module 2 NO, silver contact 4 – switch module 1NO / 1NC, silver contact 5 – switch module 2 NC, silver contact with gold coating 6 – switch module 2 NO, silver contact with gold coating 7 – switch module 1NO / 1NC, silver contact with gold coating

Pilot light with illuminated indicator module (1 slot)

PILOT LIGHT



ILLUMINATED INDICATOR MODULE



1 slot



DD

Pilot light:
LR – red
LG – green
LY – yellow
LW – white
LB – blue

E

Illuminated indicator module:
R – red
G – green
Y – yellow
W – white
B – blue

Illuminated push button with illuminated push button module (1slot)

ILLUMINATED PUSH BUTTON



ILLUMINATED PUSH BUTTON MODULE



1 slot



DD	Illuminated push button: TR – red TG – green TY – yellow TW – white TB – blue
E	Illuminated push button module: B – 1 NO A – 1 NC

Potentiometer with potentiometer module (1 slot)

POTENTIOMETER



POTENTIOMETER MODULE



1 slot



DD	DD – Potentiometer scala 1-10 (installation only in Exe enclosure)
E	Potentiometer module: 4 – 1 kΩ 7 – 10 kΩ

4-pole switch module with actuator (2 slots)

ACTUATOR



N* Emergency stop pull to release



A* Push button



R* Emergency twist to release



P1 Mushroom push button

4-POLE SWITCH MODULE



– min. 2 gang ComEx enclosure



S* Selector switch

2 slots



DDD Actuator:

- A10** – push button, universal with 4 labels (red, green, white and black)
- A20** – push button, green, “START”
- A30** – push button, red, “STOP”
- A40** – push button, green, “I”
- A50** – push button, red, “O”
- A60** – push button, green, “ON”
- A70** – push button, red, “OFF”
- A90** – push button, custom made to order
- N10** – Emergency stop pull to release, without labelling, with shroud
- N50** – Emergency stop pull to release, with labelling
- N60** – Emergency stop pull to release, with labelling, with shroud
- N80** – Emergency stop pull to release, without labelling
- R10** – Emergency stop twist to release, without labelling, with shroud
- R50** – Emergency stop twist to release, with labelling
- R60** – Emergency stop twist to release, with labelling, with shroud
- R80** – Emergency stop twist to release, without labelling
- P10** – mushroom push button
- S80** – selector switch, O-I latching
- S90** – selector switch, O-I momentary

EEE 4-pole switch module:

- V01** – switch 4-pol, 4 NC, silver contact
- V02** – switch 4-pol, 3 NC / 1 NO, silver contact
- V03** – switch 4-pol, 2 NC / 2 NO, silver contact
- V04** – switch 4-pol, 4 NO, silver contact
- V05** – switch 4-pol, 1 NC / 3 NO, silver contact
- V11** – switch 4-pol, 4 NC, silver contact with gold coating
- V12** – switch 4-pol, 3 NC / 1 NO, silver contact with gold coating
- V13** – switch 4-pol, 2 NC / 2 NO, silver contact with gold coating
- V14** – switch 4-pol, 4 NO, silver contact with gold coating
- V15** – switch 4-pol, 1 NC / 3 NO, silver contact with gold coating

Blind plug without module (1 slot)

BLIND PLUG

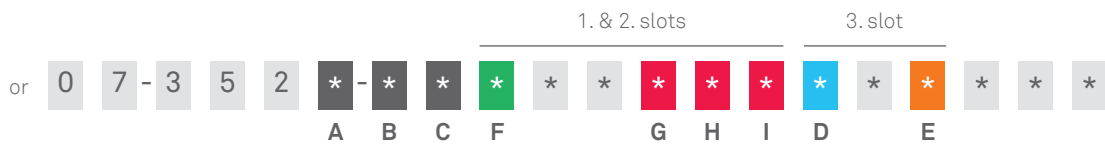
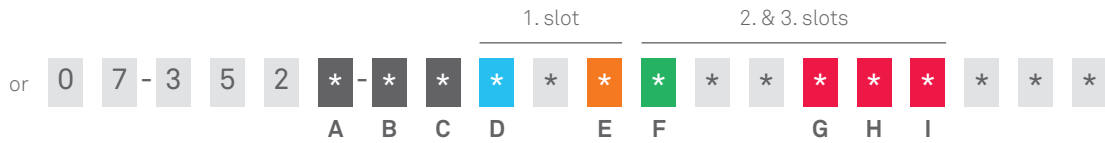
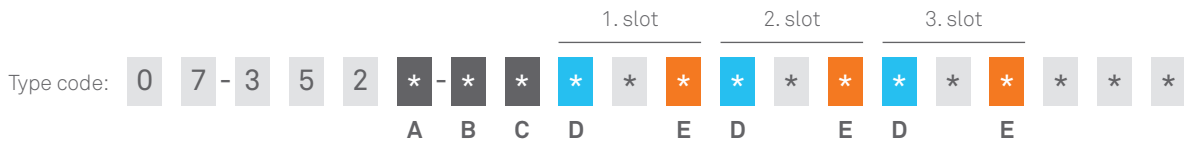


1 slot



DD	00 – without actuator B1 – blind plug
E	0 – without module

Selection key of the ComEx control and indicating station

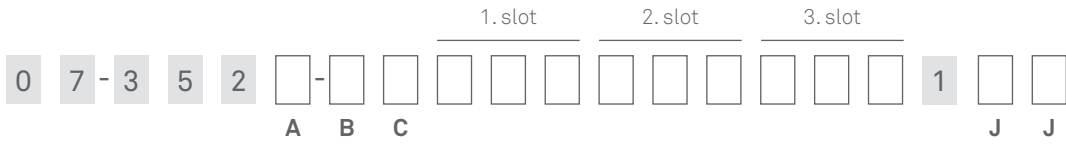


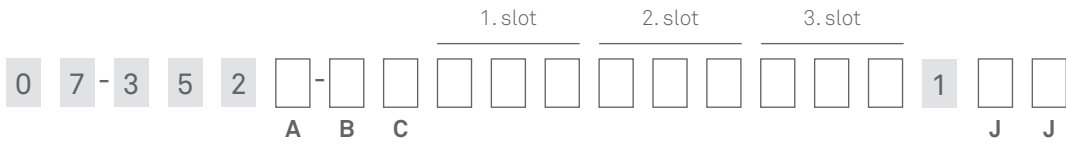
A	Enclosure size, operation mode 1 – Single, Ex e 2 – Double, Ex e 3 – Triple, Ex e 4 – Single, Ex i 5 – Double, Ex i 6 – Triple, Ex i
B	Entry device, enclosure side B 0 – without 1 – 1 x M20 plastic or hole for connection 2 – 1 x M25 plastic 3 – 2 x M20 plastic 4 – 1 x M20 plastic and 1 x M20 blanking element 5 – 1 x M20 metal 6 – 1 x M25 metal 7 – 2 x M20 metal 9 – special version

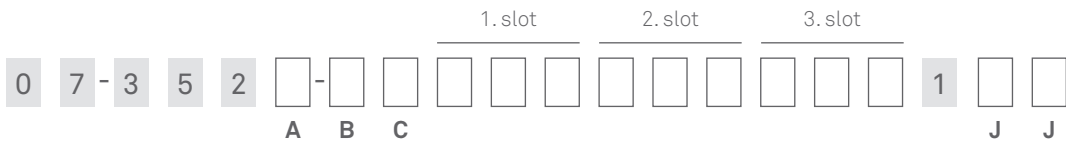
C	Entry device, enclosure side A 0 – without 1 – 1 x M20 plastic 2 – 1 x M25 plastic 3 – 2 x M20 plastic 4 – 1 x M20 plastic and 1 x M20 blanking element 5 – 1 x M20 metal 6 – 1 x M25 metal 7 – 2 x M20 metal 8 – enclosure connection 9 – special version
----------	---

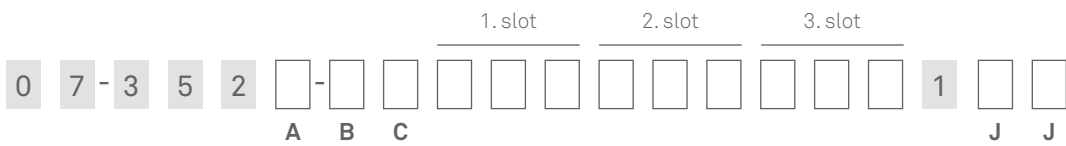
D & E	Single-slot actuators & modules combinations
F & GHI	Double-slot actuators & modules combinations

Your Control Station









1-gang ComEx enclosure



Description ATEX/IECEx

Description ATEX/IECEx	Order Number
1 push button, with labels red, green, white, black; 1 NO + 1 NC	07-3521-10A1400000000
1 push button, with labels red, green, white, black; 2 NC	07-3521-10A1100000000
1 push button, with labels red, green, white, black; 2 NO	07-3521-10A1200000000
Emergency stop pull to release, without labelling; 1 NO + 1 NC	07-3521-10N8400000000
Emergency stop pull to release, without labelling; 2 NC	07-3521-10N8100000000
Emergency stop pull to release, without labelling + Shroud; 1 NO + 1 NC	07-3521-10N1400000001
Emergency stop pull to release, without labelling + Shroud; 2 NC	07-3521-10N1100000001
Selector switch; 1 NO + 1 NC, 0 - I, latching	07-3521-10S9400000000
Selector switch; 2 NO, I - 0 - II, latching	07-3521-10S0200000000
Selector switch; 1 NO + 1 NC, I - 0 - II, momentary	07-3521-10S1400000000
Pilot light; red	07-3521-10LRR00000000
Pilot light; green	07-3521-10LGG00000000
Pilot light; yellow	07-3521-10LYY00000000
Illuminated push button; 1 NO red	07-3521-10TRB00000000
Illuminated push button; 1 NC red	07-3521-10TRA00000000
Illuminated push button; 1 NO green	07-3521-10TGB00000000
Illuminated push button; 1 NC green	07-3521-10TGA00000000
Illuminated push button; 1 NO yellow	07-3521-10TYB00000000
Illuminated push button; 1 NC yellow	07-3521-10TYA00000000

Description UL

Description UL	Order Number
Push button, with labels red, green, white, black; 1 NO + 1 NC (conduit adapter 3/4" side B)	07-352A-B0A1400000000
Pilot light; red (conduit adapter 3/4" side B)	07-352A-B0LRR00000000
Pilot light; green (conduit adapter 3/4" side B)	07-352A-B0LGG00000000
Emergency stop button; 2 NC (conduit adapter 3/4" side B)	07-352A-B0N8100000000
Selector switch; 2 NO, I - 0 - II, latching (conduit adapter 3/4" side B)	07-352A-B0S0200000010
Selector switch; 2 NO, I - 0 - II, momentary (conduit adapter 3/4" side B)	07-352A-B0S3200000000
Selector switch; 1 NO + 1 NC, 0 - I, latching (conduit adapter 3/4" side B)	07-352A-B0S9400000000

2-gang ComEx enclosure



Description ATEX/IECEX

Description ATEX/IECEX	Order Number
2 push button, with labels red, green, white, black (1 NO + 1 NC)	07-3522-10A14A14000000
1 pilot light (red), 1 push button, with labels red, green, white, black; (1 NO + 1 NC)	07-3522-10LRRA14000000
1 pilot light (green), 1 push button, with labels red, green, white, black; (1 NO + 1 NC)	07-3522-10LGGA14000000
1 pilot light (yellow), 1 push button, with labels red, green, white, black; (1 NO + 1 NC)	07-3522-10LYYA14000000
1 push button, with labels red, green, white, black; (1 NO + 1 NC), 1 Emergency stop pull to release, without labelling (1 NO + 1 NC)	07-3521-10A14N84000000

Description UL

Description UL	Order Number
2 push button, with labels red, green, white, black (1 NO + 1 NC); (conduit adapter 3/4" side B)	07-352B-B0A14A14000000
1 emergency stop button 4-pole (2 NO + 2 NC); (conduit adapter 3/4" side B)	07-352B-B0N80V03000000
1 push button green START (1 NO + 1 NC), 1 push button red STOP (1 NO + 1 NC); (conduit adapter 3/4" side A and B)	07-352B-BBA24A34000000
1 emergency stop button with labeling and shroud with bolt (2 NC); (conduit adapter 3/4" side A and B)	07-352A-BBN6100000001

3-gang ComEx enclosure



Description ATEX/IECEx	Order Number
1 pilot light (red), 2 push button, with labels red, green, white, black; (1 NO + 1 NC)	07-3523-10LRRRA14A14000
1 pilot light (green), 2 push button, with labels red, green, white, black; (1 NO + 1 NC)	07-3523-10LGGA14A14000
1 pilot light (yellow), 2 push button, with labels red, green, white, black; (1 NO + 1 NC)	07-3523-10LYYA14A14000
3 pilot light (red, yellow, green)	07-3523-10LRRLYLGG000
2 pilot light (red, green), 1 emergency stop (1 NO + 1 NC)	07-3523-10LRRLLGGN84000
3 push button, with labels red, green, white, black; (1 NO + 1 NC)	07-3523-10A14A14A14000
2 push button, with labels red, green, white, black; (1 NO + 1 NC), 1 Emergency stop pull to release, without labelling (1 NO + 1 NC)	07-3523-10A14A14N84000
1 pilot light (red), 1 selector switch 0-I latching (2 NO), 1 Emergency stop pull to release, without labelling (1 NO + 1 NC)	07-3523-10LRRS92N84000
1 pilot light (green), 1 selector switch 0-I latching (2 NO), 1 Emergency stop pull to release, without labelling (1 NO + 1 NC)	07-3523-10LGG92N84000

Description UL	Order Number
1 pilot light (red), 2 push button, with labels red, green, white, black (1 NO + 1 NC); (conduit adapter 3/4" side B)	07-352C-B0LRRRA14A14000