

# ComEx Ex i illuminated push button module

for panel- and railmounted installation



The ComEx Ex i illuminated push button module is used in almost all hazardous (potentially explosive) areas where machine functions are to be activated at the push of a button and the corresponding functional status is to be indicated visually.

The ComEx Ex i illuminated push button module is flexible and available in different colours (red, green, yellow, white and blue). The connecting cable is connected to the ComEx Ex i illuminated push button module via screw terminals. The ComEx Ex i illuminated push button module offer the option of simple and fast mounting on a rail- or a panel mounted installation per direct mounting to the ComEx actuator. The ComEx Ex i illuminated push button modules are developed and certified for globally market.

- Easy installation
- Certified for zone 1 and 21
- Operating temperature
  - 55 °C to +85 °C (-67 °F to +185 °F)
- Intensive illumination by colored LED



### Explosion protection

Notified Body Number	CE 0044
Approved Body Number	2503
ATEX/UKEX Ex protection type	Ⓜ II 2G Ex db eb ia IIC Gb Ⓜ I M2 Ex db eb ia I Mb
ATEX/UKEX certificate number	CML 22 ATEX 1135 U CML 22 UKEX 1136 U
IECEX Ex protection type	Ex db eb ia IIC Gb Ex db eb ia I Mb
IECEX certificate number	IECEX CML 22.0014 U
CEC (UL Mark)	Ex db ia IIC Gb Class I, Division 2, Groups A, B, C, D
NEC (UL Mark)	Class I, Zone 1, AEx db ia IIC Gb Class I, Division 2, Groups A, B, C, D
UL certificate number	UL E184198
Service temperature	-55 °C to +85 °C (-67 °F to +185 °F)

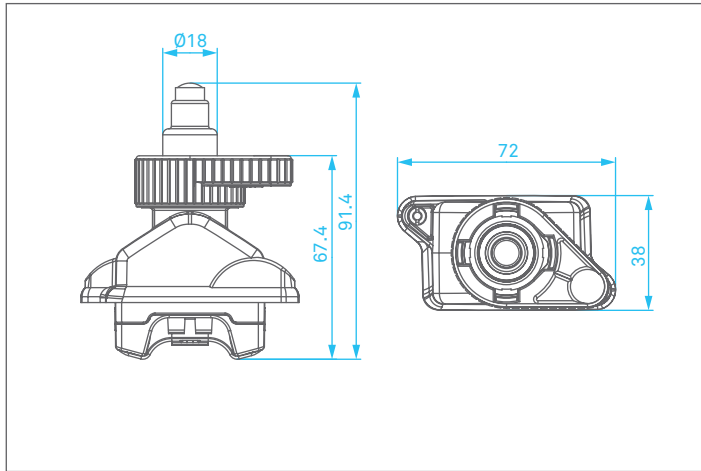
For further approvals and certificates, see [www.bartec.com](http://www.bartec.com)

### Technical data

Max. Ambient temperature only with protection by flameproof enclosure "d"	+85 °C (+185 °F)
Degree of protection	IP20 acc. to EN 60529
Rated voltage	DC 12-30 V
Rated insulation voltage	30 V
Power consumption	< 1 W
Lamp	LED (red, green, yellow, white, blue)
Illumination	very bright, visible angle over 180°
Contacts	1 N/C or 1 N/O as snap switch element DC-13 0.25 A/24 V
Enclosure material	thermoplastic
Connection	0.75 mm <sup>2</sup> - 2.5 mm <sup>2</sup> /18 AWG - 12 AWG
Electrical life	10 <sup>5</sup> running hours
Mechanical life	10 <sup>5</sup> switching cycles
Storage and transport temperature	-55 °C to +85 °C (-67 °F to +185 °F)
Weight	Panelmounted approx. 110 g Railmounted approx. 110 g
Mounting	Panelmounted (locked to signal device actuators 07-3400-T* by bayonet catch) Railmounted (latched on mounting rail NS 35 x 7.5)
Shock resistance	DIN EN 60068-2-27, 30 g 18 ms

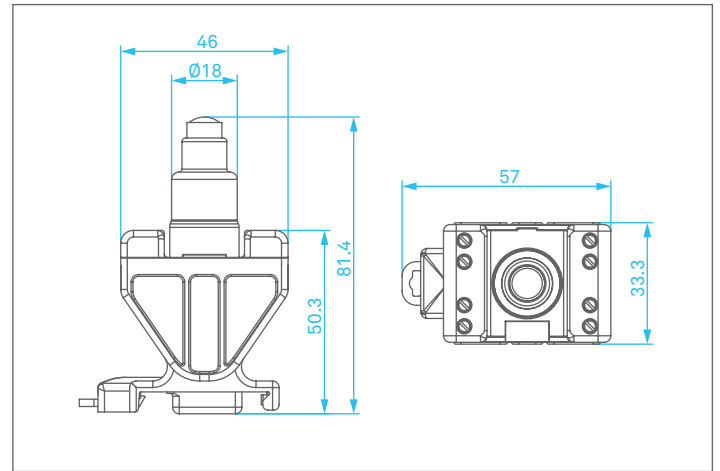
**Dimensions in mm**

ComEx Ex i illuminated push button module for panelmounted 07-3364-4\*



**Dimensions in mm**

ComEx Ex i illuminated push button module for railmounted 07-3362-1\*



**Selection chart**

Type of contact	A	Colour LED	B	Colour actuator	C
1 NC	5	red	1	red	R
		green	2	green	G
		white	4	yellow	Y
1 NO	6	white	4	white	W
		blue	5	blue	B

**Intrinsically safe parameters**

Input voltage (U <sub>i</sub> )	30 V
Input current (I <sub>i</sub> )	150 mA
Input power (P <sub>i</sub> )	1 W
Inductance (L <sub>i</sub> )	negligible
Capacitance (C <sub>i</sub> )	negligible

**Complete order no.**

ComEx Ex i illuminated push button module for panelmounted without actuating element

0 7 - 3 3 6 4 - 4 **A B 0**

ComEx Ex i illuminated push button module for railmounted without actuating element

0 7 - 3 3 6 2 - 1 **A B 0**

**Actuating element**

Standard

0 7 - 3 4 0 0 - T **C 0 0**

Please enter code number.