

ComEx switch module

for panel and railmounted installation



The ComEx switch module can be used in almost all potentially explosive areas, where machine functions need to be triggered by a button or a switch. ComEx switch modules are flexible in use and can be combined with a variety of Control and signal device actuators 07-3400-*.

All contacts of the ComEx switch module are self-cleaning, and the NC contacts feature positive opening. The connecting cable is connected to the ComEx switch module via screw terminals. The ComEx switch modules offer the option of simple and fast mounting on a rail- or a panel mounted installation per direct mounting to the ComEx actuator. The ComEx switch modules are developed and certified for globally market.

- Easy installation
- Certified for zone 1 and 21
- Operating temperature
 - 55 °C to +85 °C (-67 °F to +185 °F)
- Available in 2-pol and 4-pol variants



ComEx switch module (2-pole) 07-3322-1* and 07-3324-4*

Explosion protection

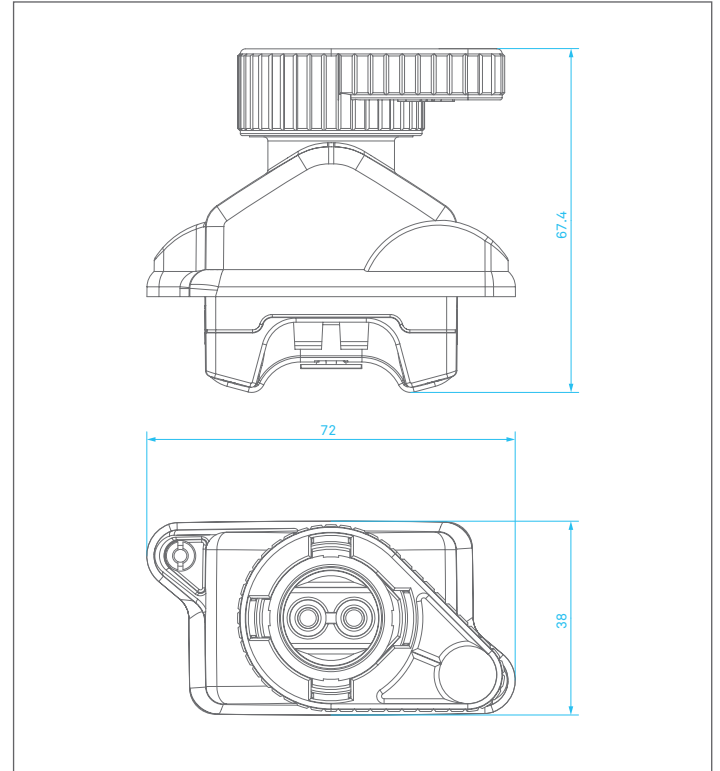
Notified Body Number	CE 0044
Approved Body Number	2503
ATEX/UKEX Ex protection type	Ⓜ II 2G Ex db eb IIC Gb Ⓜ I M2 Ex db eb I Mb
ATEX/UKEX certificate number	CML 22 ATEX 1135 U CML 22 UKEX 1136 U
IECEX Ex protection type	Ex db eb IIC Gb Ex db eb I Mb
IECEX certificate number	IECEX CML 22.0014 U
CEC (UL Mark)	Ex db eb IIC Gb Class I, Division 2, Groups A, B, C, D
NEC (UL Mark)	Class I, Zone 1, AEx db eb IIC Gb Class I, Division 2, Groups A, B, C, D
UL certificate number	UL E184198
Service temperature	-55 °C to +85 °C (-67 °F to +185 °F)
For further approvals and certificates, see bartec.com	

Technical data

Max. ambient temperature only with protection by flameproof enclosure "d"	+85 °C (+185 °F)
Degree of protection	IP20 acc. to EN 60529
Rated insulation voltage	U _i = 690 V U _e = 400 V
Rated voltage	400 V 400 V 230 V 110 V 60 V
Utilisation category	AC-12 AC-15 AC-15 DC-13 DC-13
Rated operating currents	16 A 10 A 16 A 1 A 2 A
Conventional thermal current I _{the}	(+40 °C) (+104 °F) I _{the} = 16 A (+60 °C) (+140 °F) I _{the} = 11 A
Contact options	contacts with positive break operation (self-cleaning) 1 NC and 1 NO or 2 NC or 2 NO
Contact material	AgSnO ₂ or AgSnO ₂ with gold coating
Enclosure material	Thermoplastic
Connection	0.75 mm ² - 2.5 mm ² /18 AWG - 12 AWG
Electrical load Silver contacts with gold coating	Min. DC 2 V - 300 mA Max. DC 60 V - 1 mA For alternating current, these values are not to be interpreted as peak values.
Mechanical life	>10 ⁶ switching cycles
Storage and transport temperature	-55 °C to +85 °C (-67 °F to +185 °F)
Weight	Panelmounted approx. 110 g Railmounted approx. 70 g
Mounting	Panelmounted (locked to control and signal device actuators 07-3400 by bayonet lock) Railmounted (latched on mounting rail NS 35 x 7.5)
Shock resistance	DIN EN/IEC 60068-2-27, 30 g 18 ms

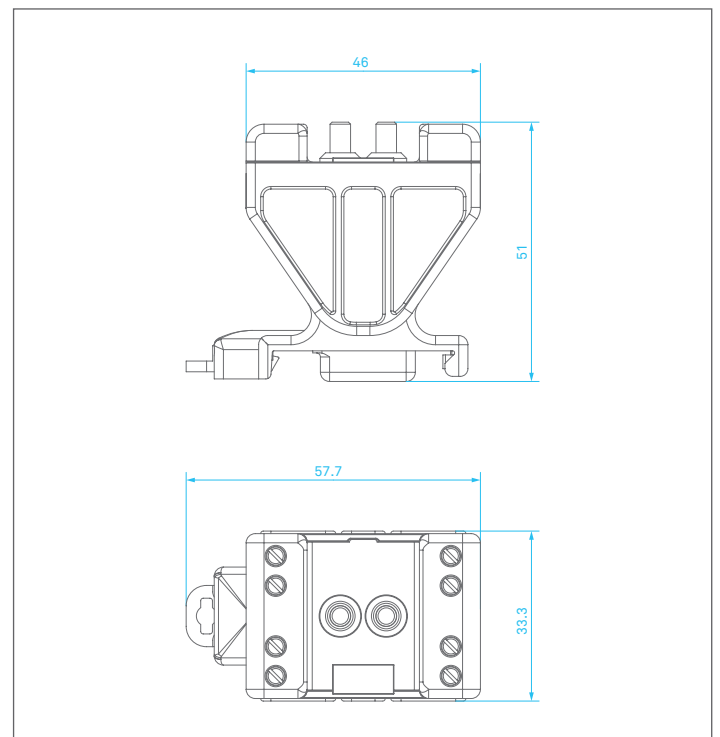
Dimensions in mm

ComEx switch module for panelmounted 07-3324-*



Dimensions in mm

ComEx switch module for railmounted 07-3322-1*



Ordering information

0 7 - 3 3 2 A - A B C 0 0 0 0 0 Switch module without actuating element

Code AA

- 2 – 1 Comex switch module for railmounted
- 4 – 4 ComEx switch module for panelmounted

Code B Type of contacts

- 1 2 NC
- 2 2 NO
- 4 1 NC + 1 NO

Code C

- 0 silver-plated contacts
- 1 silver contacts with gold coating

Please enter code number. For the types of actuators available, see bartec.com

ComEx switch module (4-pole) 07-3382-*

Explosion protection

Notified Body Number	0044
Approved Body Number	2503
ATEX/UKEX Ex protection type	II 2G Ex db eb IIC Gb I M2 Ex db eb I Mb
ATEX/UKEX certificate number	CML 22 ATEX 1135 U CML 22 UKEX 1136 U
IECEX Ex protection type	Ex db eb IIC Gb Ex db eb I Mb
IECEX certificate number	IECEX CML 22.0014 U
CEC (UL Mark)	Ex db eb IIC Gb Class I, Division 2, Groups A, B, C, D
NEC (UL Mark)	Class I, Zone 1, AEx db eb IIC Gb Class I, Division 2, Groups A, B, C, D
UL certificate number	UL E184198
Service temperature	-55 °C to +85 °C (-67 °F to +185 °F)

For further approvals and certificates, see bartec.com

Technical data

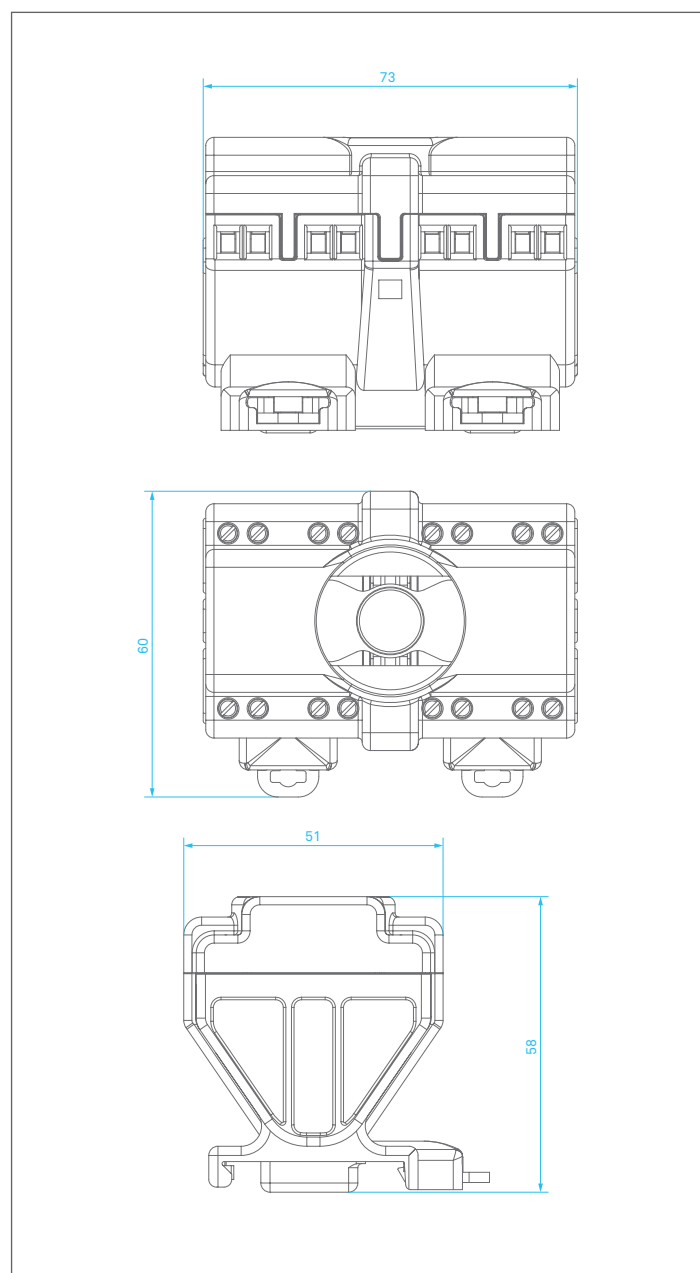
Max. Ambient temperature only with protection by flameproof enclosure "d"	+85 °C (+185 °F)
Degree of protection	IP20 acc. to EN 60529
Connection	0.75 mm ² - 4 mm ² /18 AWG - 12 AWG
Contact material	AgSnO ₂
Enclosure material	thermoplastic
Mounting	Railmounted (latched on mounting rail NS 35 x 7.5)
Contact options	max. 4 switch contacts different NC/NO contact assemblies contacts with positive break operation (self-cleaning)
Mechanical life	>10 ⁶ switching cycles
Storage and transport temperature	-55 °C to +85 °C (-67 °F to +185 °F)
Weight	Railmounted approx. 167 g
Shock resistance	DIN EN/IEC 60068-2-27, 30 g 18 ms

Electrical data

Rated insulation voltage	U _i = 690 V U _e = 400 V
Rated voltage	400 V 400 V 230 V 110 V 60 V
Utilisation category	AC-12 AC-15 AC-15 DC-13 DC-13
Rated operating currents	16 A 10 A 16 A 1 A 2 A
Rated impulse strength	U _{imp} = 6 kV
Conditional rated short-circuit current at 400 V	I _b = 4 kA
Maximum current	max. 16 A
Conventional thermal current I _{the}	(+40 °C) (+104 °F) I _{the} = 16 A (+60 °C) (+140 °F) I _{the} = 11 A

Dimensions in mm

ComEx switch module 4-pole for railmounted 07-3382-*



Ordering information

0	7	3	3	8	2	A	0	0	0														
Code A		Contact arrangement of control switch (4-pole)																					
1	4 NC	<table border="1"> <tr><td></td><td>11</td><td>21</td><td>31</td><td>41</td></tr> <tr><td>0</td><td>x</td><td>x</td><td>x</td><td>x</td></tr> <tr><td>1</td><td></td><td></td><td></td><td></td></tr> <tr><td></td><td>12</td><td>22</td><td>32</td><td>42</td></tr> </table>		11	21	31	41	0	x	x	x	x	1						12	22	32	42	
	11	21	31	41																			
0	x	x	x	x																			
1																							
	12	22	32	42																			
2	3 NC / 1 NO	<table border="1"> <tr><td></td><td>11</td><td>21</td><td>31</td><td>41</td></tr> <tr><td>0</td><td></td><td>x</td><td>x</td><td>x</td></tr> <tr><td>1</td><td>x</td><td></td><td></td><td></td></tr> <tr><td></td><td>12</td><td>22</td><td>32</td><td>42</td></tr> </table>		11	21	31	41	0		x	x	x	1	x					12	22	32	42	
	11	21	31	41																			
0		x	x	x																			
1	x																						
	12	22	32	42																			
3*	2 NC / 2 NO	<table border="1"> <tr><td></td><td>11</td><td>21</td><td>33</td><td>43</td></tr> <tr><td>0</td><td>x</td><td>x</td><td></td><td></td></tr> <tr><td>1</td><td></td><td></td><td>x</td><td>x</td></tr> <tr><td></td><td>12</td><td>22</td><td>34</td><td>44</td></tr> </table>		11	21	33	43	0	x	x			1			x	x		12	22	34	44	
	11	21	33	43																			
0	x	x																					
1			x	x																			
	12	22	34	44																			
4*	4 NO	<table border="1"> <tr><td></td><td>13</td><td>23</td><td>31</td><td>43</td></tr> <tr><td>0</td><td></td><td></td><td></td><td></td></tr> <tr><td>1</td><td>x</td><td>x</td><td>x</td><td>x</td></tr> <tr><td></td><td>14</td><td>24</td><td>34</td><td>44</td></tr> </table>		13	23	31	43	0					1	x	x	x	x		14	24	34	44	
	13	23	31	43																			
0																							
1	x	x	x	x																			
	14	24	34	44																			
5*	1 NC / 3 NO	<table border="1"> <tr><td></td><td>11</td><td>23</td><td>33</td><td>43</td></tr> <tr><td>0</td><td>x</td><td></td><td></td><td></td></tr> <tr><td>1</td><td></td><td>x</td><td>x</td><td>x</td></tr> <tr><td></td><td>12</td><td>24</td><td>34</td><td>44</td></tr> </table>		11	23	33	43	0	x				1		x	x	x		12	24	34	44	
	11	23	33	43																			
0	x																						
1		x	x	x																			
	12	24	34	44																			

Please enter code number.
 * Special versions on request