

ESX

Junction boxes



Installation

hazardous areas - Zone 1 / 2 (Gases) - Zone 21 / 22 (Dusts)

Classification

Group II - Category 2G 2D

Mechanical characteristics

Body	stainless steel AISI-316L - th. 1,5 mm
Cover	stainless steel AISI-316L - th. 1,5 mm
Screws	stainless steel AISI-316L
Internal plate	stainless steel AISI-316L - th. 1,5 mm
Gasket	silicon rubber
Fixing	stainless steel AISI-316L fixing lugs, adjustable on horizontal / vertical / 45° position
Closing	with key (on demand) / with screws (on standard)

On Request Accessories

- Hinges system (universal positioning setup)
- External fixing lugs for supplied loose (new positioning setup)
- Padlockable lid system and/or closing with key device
- External epoxy painting with colour on request
- Internal anticondensate painting orange RAL-2004
- Drain and breather valves
- Removable flanges on side walls (see identification table)
- Documents holders and name plate holder
- Different thickness (body - cover - internal plate)

Reference standards

Directive 2014/34/EU	
Execution	<ul style="list-style-type: none"> ⊕ II 2 G Ex e IIB or IIC T6 ÷ T3 Gb ⊕ II 2 D Ex tb IIIC T85 °C ÷ T200 °C Db
Rules of compliance	<ul style="list-style-type: none"> EN/IEC 60079-0; EN/IEC 60079-1; EN/IEC 60079-7; EN/IEC 60079-11; EN/IEC 60079-18; EN/IEC 60079-31
EU Type-Examination Certificate	INERIS 02 ATEX 0067X
Protection degree	IP66
Ambient temperature	-60 °C ÷ +60 °C (+160 °C with ceramic terminals)
Other available certificates	<ul style="list-style-type: none"> Component: INERIS 13 ATEX 9028U IECEx: IECEx INE11.0016 INMETRO: CEPEL 12.2159X ECASEx: 23-06-22481/Q23-06-048569/NB0002 RUSSIAN MARINE CERTIFICATE (RMRS): 19.02521.280 NEC 505: UL 20141112-E465037 - Type rating NEMA 1, 12, 4 and 4X CCC: 2023122304116541 KC: in progress RINA: ELE045823CS



Technical features

Long side		Short side		Height		Long side flange	Short side flange	Type of closing	Accessories	Fixing lugs	Internal height	Plate X-Y	Weight	Detail
Type	A [mm]	Type	B [mm]	Type	C [mm]						D [mm]	[mm]		
013	130	013	130	B	90						55	80-80	1,50	A1
017	170	017	170	B	90						55	120-120	2,00	A1
022	220	016	165	A	150	0	0	CSS			115	170-115	4,00	A
		022	220	A	150						115	170-170	4,50	A
033	330	022	220	A	150	1	1	CVL			115	280-170	5,50	A
		033	330	A	150						115	280-280	7,50	A
040	400	040	400	D	200	4	4	SHL	T		165	350-350	8,50	A
044	440	033	330	A	150	5	5	SHC	P		115	390-280	9,00	A
052	520	042	420	D	200	6	6	PKL			165	580-430	16,50	A
063	630	048	480	D	200									
150	1500	110	1100	G	900						865	1450-1050	145	A
200	2000	180	1800	H	600						565	1950-1750	215	A

Examples

ESX#	013	013	B	0	0	CSS	0	0
------	-----	-----	---	---	---	-----	---	---

ESX#013013B00CSS00 = dimensions: 130x130x90, without flanges, closing lid with screws, without accessories, fixing lugs excluded.

ESX#	044	033	A	1	1	CVL	T	K
------	-----	-----	---	---	---	-----	---	---

ESX#044033A11CVLTK = dimensions: 440x330x150, 1 flange long side, 1 flange short side, closing lid with hinges and screws long side, with internal documents holder and fixing lugs included.

N°	Long side flange
0	without flanges
1	n. 1 flange long side
2	n. 2 flanges long side
3	n. 1 flange 3 mm thickness long side
4	n. 2 flanges 3 mm thickness long side
5	n. 1 double flange long side
6	n. 2 double flanges long side

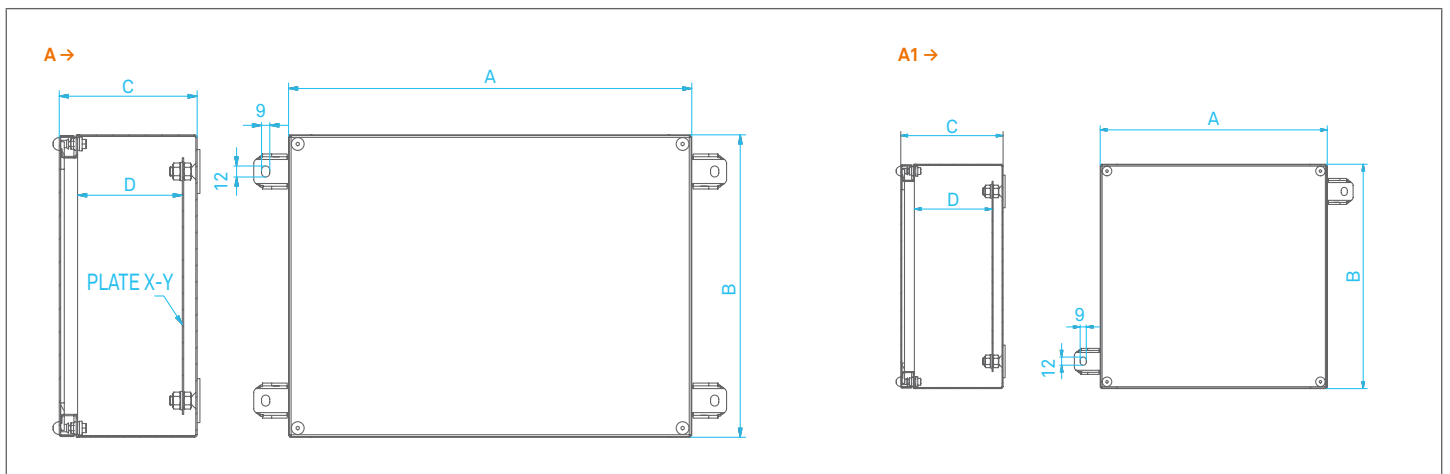
N°	Short side flange
0	without flanges
1	n. 1 flange short side
2	n. 2 flanges short side
3	n. 1 flange 3 mm thickness short side
4	n. 2 flanges 3 mm thickness short side
5	n. 1 double flange short side
6	n. 2 double flanges short side

N°	Type of closing
CSS	closing lid with screws
CVL	closing lid with hinges and screws, long side
CVC	closing lid with hinges and screws, short side
SHL	closing lid with hinges and key, long side
SHC	closing lid with hinges and key, short side
PKL	closing lid with hinges and padlock, long side
PKC	closing lid with hinges and padlock, short side

Code	Accessories
0	without accessories
T	with internal documents holder
P	with plateholder

Code	Fixing Lugs
0	fixing lugs excluded
K	fixing lugs included

Reference details



**Distance between fixing centers
Horizontal position**

Enclosure	a	b	a1	Detail
ESX#1313	180	50	205	B1
ESX#1717	220	90	245	B1
ESX#2216	270	85	295	B
ESX#2222	270	140	295	B
ESX#3322	380	140	405	B
ESX#3333	380	250	405	B
ESX#4040	450	320	475	B
ESX#4433	490	250	515	B
ESX#5242	570	340	595	B
ESX#6348	680	400	705	B
ESX#150110	* for further details, please contact our technical sales department			
ESX#200180				

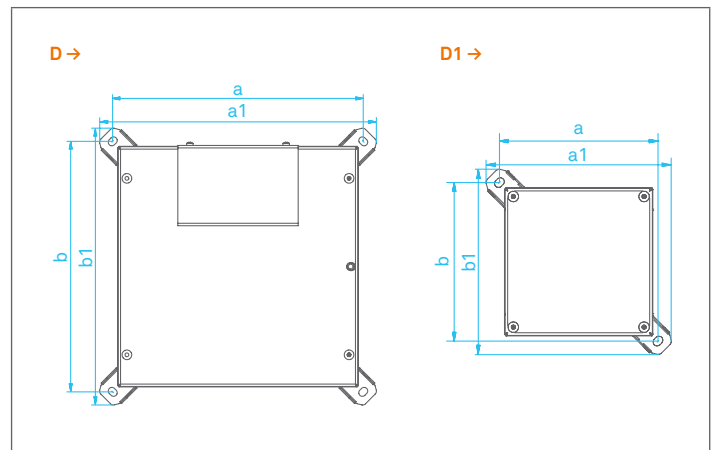
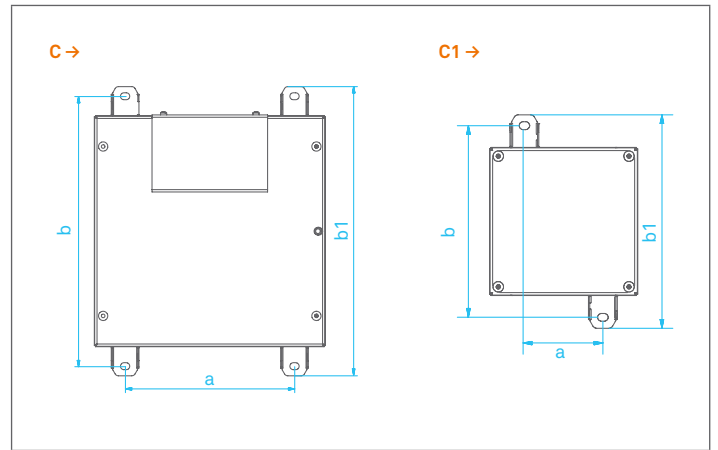
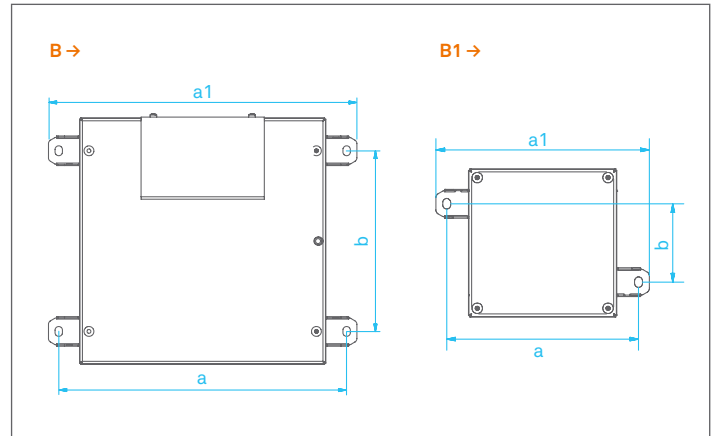
Vertical position

Enclosure	a	b	B1	Detail
ESX#1313	50	180	205	C1
ESX#1717	90	220	245	C1
ESX#2216	140	215	235	C
ESX#2222	140	270	295	C
ESX#3322	250	270	295	C
ESX#3333	250	380	405	C
ESX#4040	320	450	475	C
ESX#4433	360	380	405	C
ESX#5242	440	470	495	C
ESX#6348	550	530	555	C
ESX#150110	* for further details, please contact our technical sales department			
ESX#200180				

45° position

Enclosure	a	b	a1	b1	Detail
ESX#1313	143	143	175	175	D1
ESX#1717	183	183	215	215	D1
ESX#2216	233	178	265	205	D
ESX#2222	233	233	265	265	D
ESX#3322	343	233	375	265	D
ESX#3333	343	343	375	375	D
ESX#4040	413	413	445	445	D
ESX#4433	453	343	485	375	D
ESX#5242	533	433	565	465	D
ESX#6348	643	493	675	525	D
ESX#150110	* for further details, please contact our technical sales department				
ESX#200180					

Reference details

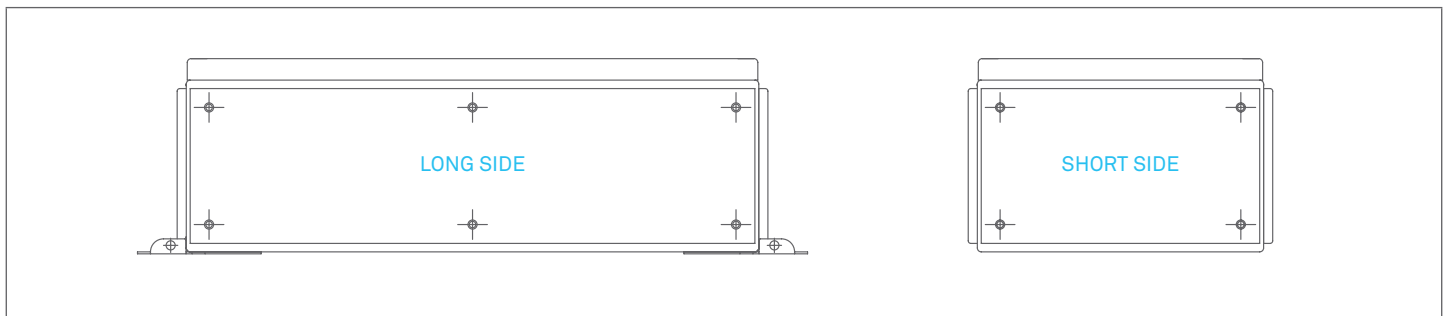


Removable flanges indicative maximum quantity of holes of the same size

Enclosure code	Drilling area long side							
	Quantity allowed entries for size (from 1 to size 8)							
	1	2	3	4	5	6	7	8
ESX#2216	8	5	4	3	2	2	1	-
ESX#2222	8	5	4	3	2	2	1	-
ESX#3322	12	8	7	4	4	3	3	-
ESX#3333	12	8	7	4	4	3	3	-
ESX#4040	14	10	8	6	5	4	3	-
ESX#4433	18	13	11	8	6	5	4	-
ESX#5242	30	20	18	13	11	8	6	3
ESX#6348	36	26	24	17	15	10	9	4
ESX#150110 ESX#200180	* for further details, please contact our technical sales department							

Enclosure code	Drilling area short side							
	Quantity allowed entries for size (from 1 to size 8)							
	1	2	3	4	5	6	7	8
ESX#2216	6	3	2	2	1	1	1	-
ESX#2222	8	5	4	3	2	2	1	-
ESX#3322	8	5	4	3	2	2	1	-
ESX#3333	12	8	7	4	4	3	3	-
ESX#4040	14	10	8	6	5	4	3	-
ESX#4433	14	9	7	5	4	3	3	-
ESX#5242	28	18	14	12	8	7	4	2
ESX#6348	30	24	20	15	11	8	6	3
ESX#150110 ESX#200180	* for further details, please contact our technical sales department							

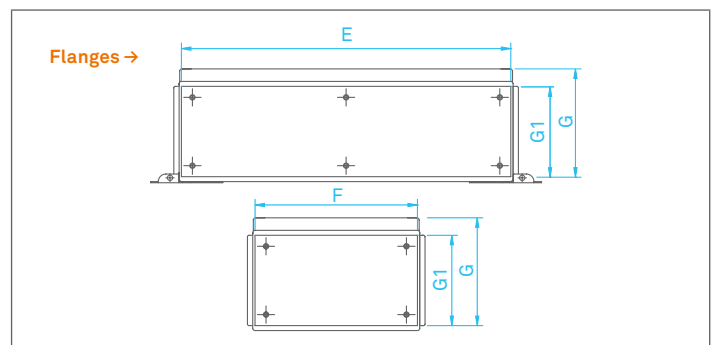
Flanges drilling area



Removable flanges dimensions

Enclosure	E [mm]	F [mm]	G [mm]	G1 [mm]
ESX#2216	214	159	-	119
ESX#2222	214	214	-	119
ESX#3322	324	214	-	119
ESX#3333	324	324	-	119
ESX#4040	394	394	-	169
ESX#4433	484	359	-	119
ESX#5242	514	414	212,5	169
ESX#6348	624	474	-	169
ESX#150110 ESX#200180	* for further details, please contact our technical sales department			

Reference details



Indicative quantity of terminals and relevant section

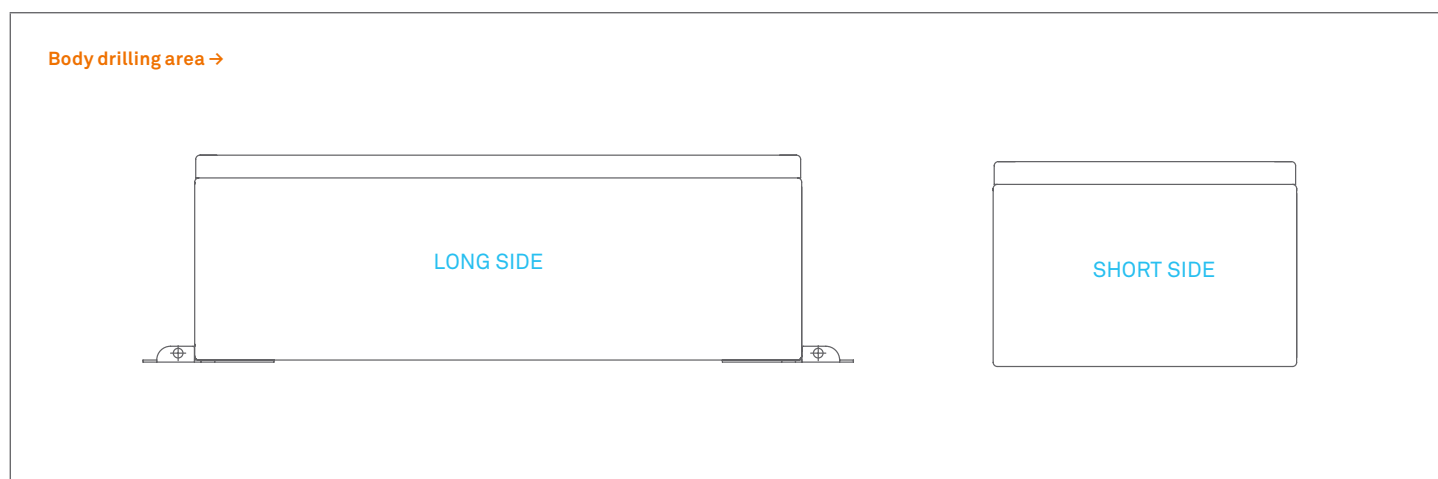
Enclosure Code	Sect. 2,5 [sq/mm]	Sect. 6,0 [sq/mm]	Sect. 10,0 [sq/mm]	Sect. 16,0 [sq/mm]	Sect. 35,0 [sq/mm]	Sect. 50,0 [sq/mm]	Sect. 70,0 [sq/mm]	Sect. 240,0 [sq/mm]	Int. plate X - Y [mm]
ESX#1313	8 x 1	5 x 1	4 x 1	4 x 1	3 x 1	2 x 1	1 x 1	-	80 - 80
ESX#1717	22 x 1	12 x 1	10 x 1	8 x 1	7 x 1	5 x 1	4 x 1	-	120 - 120
ESX#2216	30 x 1	18 x 1	14 x 1	12 x 1	9 x 1	8 x 1	6 x 1	1 x 1	170 - 115
ESX#2222	30 x 1	18 x 1	14 x 1	12 x 1	9 x 1	8 x 1	6 x 1	2 x 1	170 - 170
ESX#3322	48 x 1	30 x 1	24 x 1	18 x 1	15 x 1	12 x 1	11 x 1	2 x 1	280 - 170
ESX#3333	48 x 2	30 x 2	24 x 2	18 x 2	15 x 2	12 x 2	11 x 1	2 x 1	280 - 280
ESX#4040	70 x 2	42 x 2	34 x 2	28 x 2	22 x 2	18 x 2	16 x 1	4 x 1	350 - 350
ESX#4433	78 x 2	50 x 2	40 x 2	34 x 2	26 x 2	20 x 2	18 x 1	8 x 1	390 - 280
ESX#5242	86 x 2	55 x 2	44 x 2	36 x 2	28 x 2	22 x 2	19 x 2	6 x 1	470 - 370
ESX#6348	108 x 3	68 x 3	54 x 3	46 x 3	34 x 3	28 x 3	26 x 2	10 x 1	580 - 430
ESX#150110 ESX#200180	* for further details, please contact our technical sales department								1450 - 1050 1950 - 1750

Body enclosures indicative maximum quantity of holes of the same size

Enclosure code	Drilling area long side							
	Quantity allowed entries for size (from 1 to size 8)							
	1	2	3	4	5	6	7	8
ESX#1313	2	2	-	-	-	-	-	-
ESX#1717	3	3	-	-	-	-	-	-
ESX#2216	8	8	6	5	3	2	2	1
ESX#2222	8	8	6	5	3	2	2	1
ESX#3322	12	12	10	8	4	4	3	2
ESX#3333	12	12	10	8	4	4	3	2
ESX#4040	18	14	12	9	6	4	3	3
ESX#4433	20	18	15	12	8	6	4	4
ESX#5242	34	22	20	17	12	10	8	4
ESX#6348	42	30	26	18	16	11	10	5
ESX#150110 ESX#200180	* for further details, please contact our technical sales department							

Enclosure code	Drilling area short side							
	Quantity allowed entries for size (from 1 to size 8)							
	1	2	3	4	5	6	7	8
ESX#1313	2	2	-	-	-	-	-	-
ESX#1717	3	3	-	-	-	-	-	-
ESX#2216	6	6	4	3	2	2	1	1
ESX#2222	8	8	6	5	3	2	2	1
ESX#3322	8	8	6	5	3	2	2	1
ESX#3333	12	12	10	8	4	4	3	2
ESX#4040	18	14	12	9	6	4	3	3
ESX#4433	14	14	10	8	5	4	3	3
ESX#5242	32	20	16	14	10	8	6	3
ESX#6348	40	28	22	16	13	9	8	4
ESX#150110 ESX#200180	* for further details, please contact our technical sales department							

Reference details



REMARK:
Due to the development of the national and international specifications and of the technology, the above technical characteristics showed on this bulletin can be considered as binding on our confirmation only.