



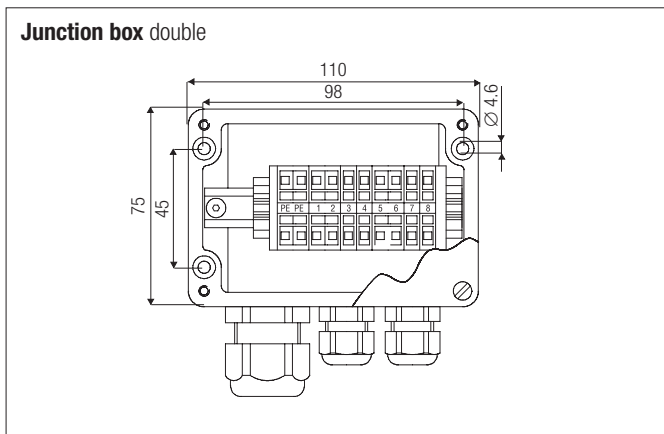
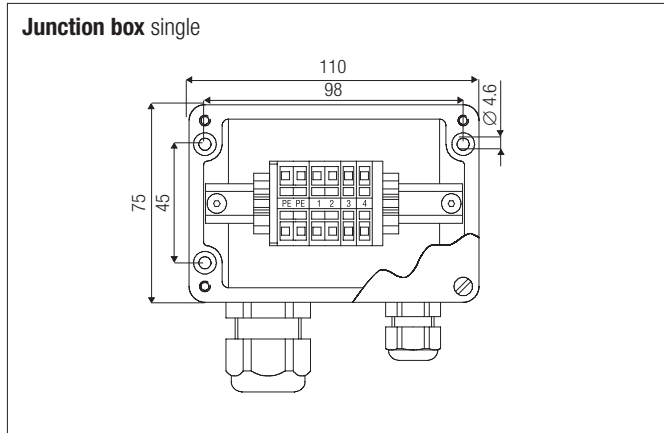
The Pt100 Ex junction boxes allow one or more two-wire or three-wire Pt100 resistance thermometers to be connected to the signal line. The enclosures have the appropriate terminals and the required cable glands. Aluminium junction boxes are available upon request.

Explosion protection

Marking	Ⓔ II 2G Ex e ia IIC T6 or T5 Gb Ⓔ II 2D Ex tb IIIC T80 °C, T95 °C
Certification	PTB 08 ATEX 1064 IECEx PTB 09.0009
Other approvals and certificates, see www.bartec.de	

Technical data

Protection class according to EN 60529	Cover gasket IP 65 Cable gland for power supply cables IP 67
Nominal voltage	max. AC 60 V
Supply cable, cross section	2.5 mm ²
Impact resistance	7 Nm
Material	polyester, glass-fibre reinforced
Ambient temperature range	-20 °C to +40 °C T6 -20 °C to +55 °C T5



Ordering information

Used for Pt100 Ex	Junction box	Dimensions mm	Cable gland for the signal line	Cable gland Pt100	Terminals mm ²	Order no.
Ex e	single	110 x 75 x 55	1 x M25 (Ø 7 to 17 mm)	1 x M16 (Ø 4 to 9 mm)	8 x 2.5; 4 x PE	07-5103-9024
	double			2 x M16 (Ø 4 to 9 mm)	16 x 2.5; 4 x PE	07-5103-9025
Ex i	single			1 x M16 (Ø 3 to 6 mm)	8 x 2.5	07-5107-9003
	double			2 x M16 (Ø 3 to 6 mm)	16 x 2.5	07-5107-9004

Technical data subject to change without notice.