

EYS-EZS-EZD-BMF-BMM-BFF

Sealing fittings and three pieces union



Installation

Hazardous areas – Zone 1 / 2 (Gases) – Zone 21 / 22 (Dusts)

Classification

Group II – Category 2G 2D

Reference standards

Directive 2014/34/EU	
Execution EYS - EZD	⚠ II 2 G Ex d IIC ⚠ II 2 D Ex tD A21 IP66
Execution EZS	⚠ II 2 G Ex db IIC T6 Gb ⚠ II 2 D Ex tb IIIC T85° Db IP66
Execution BMF-BMM-BFF	⚠ II 2 G Ex db IIB Gb ⚠ II 2 D Ex tb IIIC Db IP66/67 ⚠ II 2 G Ex db IIC Gb ⚠ II 2 D Ex tb IIIC Db IP66/67
Rules of compliance EYS - EZD	EN 60079-0; EN 60079-1; EN 61241-0; EN 61241-1
Rules of compliance EZS BMF-BMM-BFF	EN / IEC 60079-0; EN / IEC 60079-1; EN/IEC 60079-31
EU type-examination certificate	ICEPI 11 ATEX 03C002 (EYS-EZD sealing fittings) ITS-I 24 ATEX 38574X (EZS only sealing fittings) INERIS 12 ATEX 0069X (BMF-BMM-BFF three pieces union)
Protection degree	IP66 (sealing fittings) IP66/IP67 (three pieces union)
Ambient temperature	-20 °C ÷ +60 °C (sealing fittings) -60 °C ÷ +130 °C (three pieces union)
Other available certificates	IECEx: IECEx ITS 24.0015X (EZS only sealing fittings) IECEx: IECEx INE 12.0051X (BMF-BMM-BFF three pieces union) INMETRO: CEPEL 13.2243X (BMF-BMM-BFF three pieces union) EAC: TC RU C-IT.BH02.B.00587 (-60 °C ÷ +80 °C) Russian marine certificate (RMRS): 19.02521.280 UL NEC-505: 20131102-E465038 (BMF-BMM-BFF three pieces union) CCOE-PESO: P420533 ECASEx: 23-06-22481/Q23-06-048569/NB0002

Sealing fittings – Mechanical characteristics

Material	Marine grade copper free aluminum light alloy
----------	---

Three piece unions – Mechanical characteristics

Material	Galvanized steel
Gasket	Silicon rubber EPDM

On Request Accessories

- Different threads from standard
- Different materials from standard



Technical Features

Sealing fittings

Detail "A"	Detail "B"	Detail "C"	ØD Hubs	
Type	Type	Type		
EYS1	EZS1	EZD1	1/2"	M20
EYS2	EZS2	EZD2	3/4"	M25
EYS3	EZS3	EZD3	1"	M32
-	EZS5	EZD5	1-1/2"	M50
-	EZS6	EZD6	2"	M63
-	EZS7	EZD7	2-1/2"	M75
-	EZS8	EZD8	3"	M90

Sealing table

Size	EYS	EZD	EZS
	Quantity [gr]	Quantity [gr]	Quantity [gr]
1	35	140	150
2	50	140	170
3	100	140	200
5	-	390	430
6	-	570	800
7	-	1000	1630
8	-	1000	1950

EYS-EZD Sealing fittings to be sealed by means of CRV-420 bi-component sealing compound - refer to Sealing table for quantities.
 EZS Sealing fittings to be sealed by means of RSN-C**** bi-component sealing compound - refer to Sealing table for quantities.

Bi-Component sealing compound

Type	Size	Description
RSN-C0200	200 gr	Two-component Epoxy resin, can size 200gr. with accessories
RSN-C0500	500 gr	Two-component Epoxy resin, can size 500gr. with accessories
RSN-C2000	2000 gr	wo-component Epoxy resin, can si ze 2000gr. with accessories

Sealing fittings are available in three basic forms:

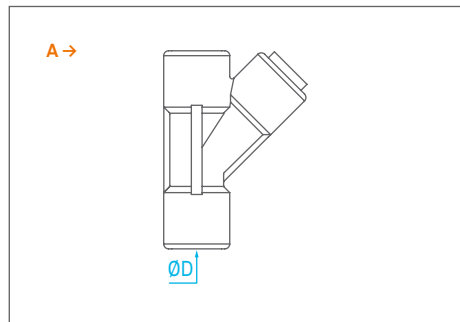
- * EYS series for vertical conduits
- * EZS series for vertical and horizontal conduits
- * EZD series for vertical and horizontal conduits with drain and breather valve ECD included.

Three pieces union

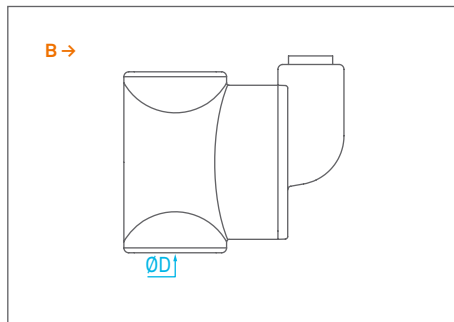
Three piece union male/female ex d IIC			Three piece union male/male ex d IIC			Three piece union female/female ex d IIC		
Type	ØD	Detail	Type	ØD	Detail	Type	ØD	Detail
BMF1*	1/2"	D	BMM1*	1/2"	D	BFF1*	1/2"	E
BMF2*	3/4"	D	BMM2*	3/4"	D	BFF2*	3/4"	E
BMF3*	1"	D	BMM3*	1"	D	BFF3*	1"	E
BMF4*	1-1/4"	D	BMM4*	1-1/4"	D	BFF4*	1-1/4"	E
BMF5*	1-1/2"	D	BMM5*	1-1/2"	D	BFF5*	1-1/2"	E
BMF6*	2"	D	BMM6*	2"	D	BFF6*	2"	E
BMF7*	2-1/2"	D	BMM7*	2-1/2"	D	BFF7*	2-1/2"	E
BMF8*	3"	D	BMM8*	3"	D	BFF8*	3"	E

- * an alphabetic code (group of gas) to indicate in which kind of explosive atmosphere can be installed the accessory:
 - group of gas IIB: code "Empty" (ex. BMF2)
 - group of gas IIC: code "C" (ex. BMF2_C)

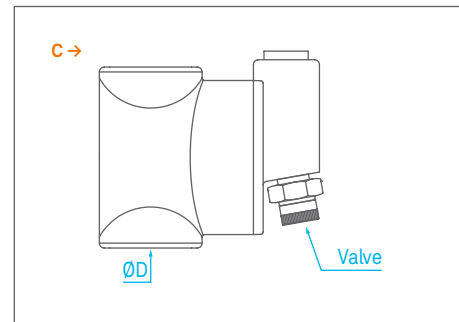
EYS



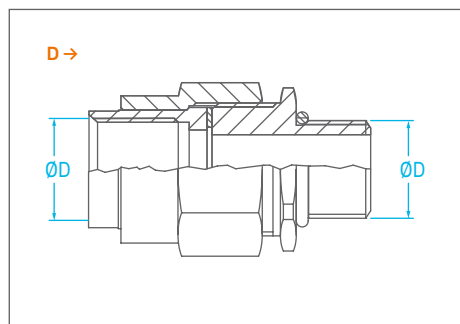
EZS



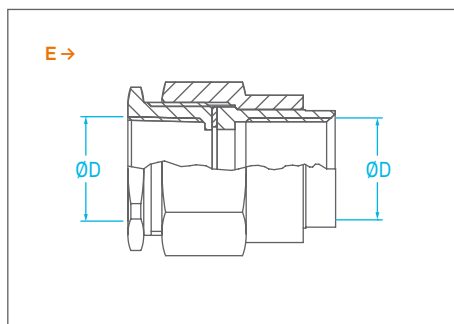
EZD



BMF - BMF_C - BMM - BMM_C



BFF - BFF_C



Cotton Wool Table

for Sealing fittings EYS - EZS - EZD

Size	Quantity (gr)
1	5
2	7
3	10
5	15
6	30
7	50
8	90



Used to dry up the compound resin during the sealing fittings process.