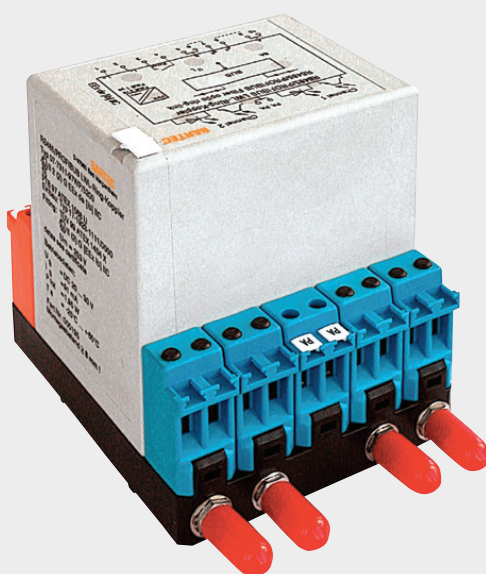


Ethernet / LWL

Coupler - Ethernet Version



The Ethernet Optical Fibre coupler reroutes the signals from copper conductors to optical fibres.

The coupler is a passive bus participant and are suitable for hazardous areas of zone 1 and 21.

- P-P-Coupler
- T-coupler

Explosion protection

Marking ATEX	Zone 1/21
Certification	see bartec.com
Marking IECEx	Zone 1/21
Certification	see bartec.com
Marking CSA	Zone 1/21
Certification	see bartec.com

Other approvals and certificates, see www.bartec.com

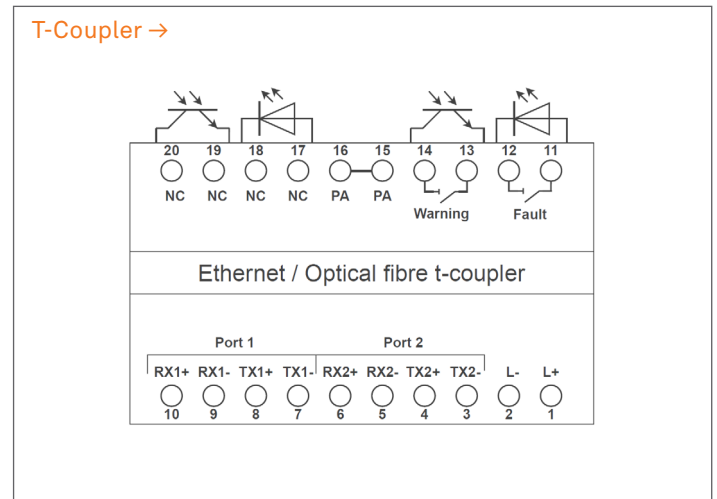
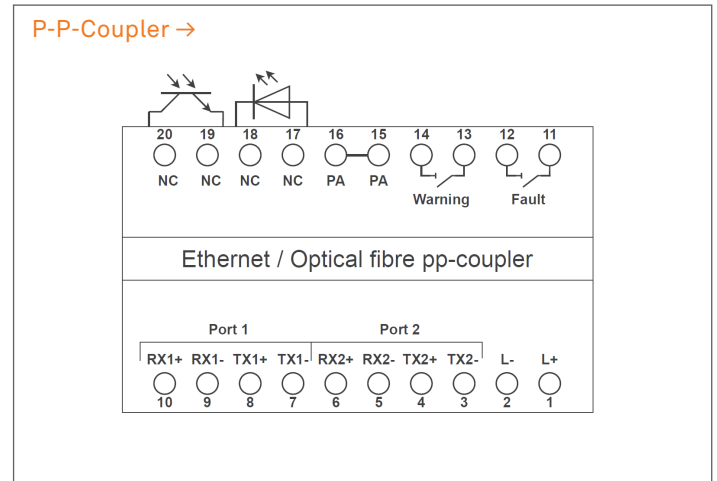
Technical data

Installation	Type 17-6583-3*** [Ex op is T4 Gb] [Ex op is IIC Db]
Supply voltage	DC 20 V to DC 30 V
Power dissipation	max PV 3.0 W
Galvanic isolation	Bus / power supply / optical fibre
Bus input / output	4 wire ethernet with screw terminals
Optical fibre input / output	ST Optical fibre plug-in connectors
Range	2000 m; 50,0 µm fibre/glass 3000 m; 62,5 µm fibre/glass
Displays	LED Green: Operation indicator (ON) L/A: LED green: Connection existing LED yellow flashing: Data transmission FV1 and FV2: LED Red: No connection LED Red/green=yellow: Light output borderline LED Green: Connection OK LED green or yellow flashing: Data reception Declaration: FV = Fiberview L/A = Link/Activity

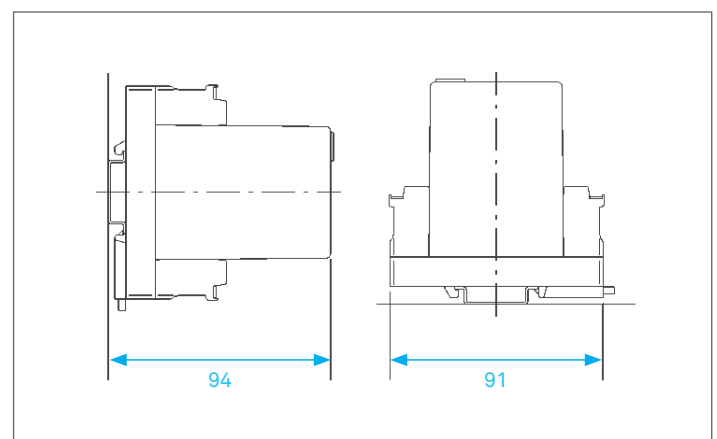
Ethernet



Wiring diagram / terminal assignment



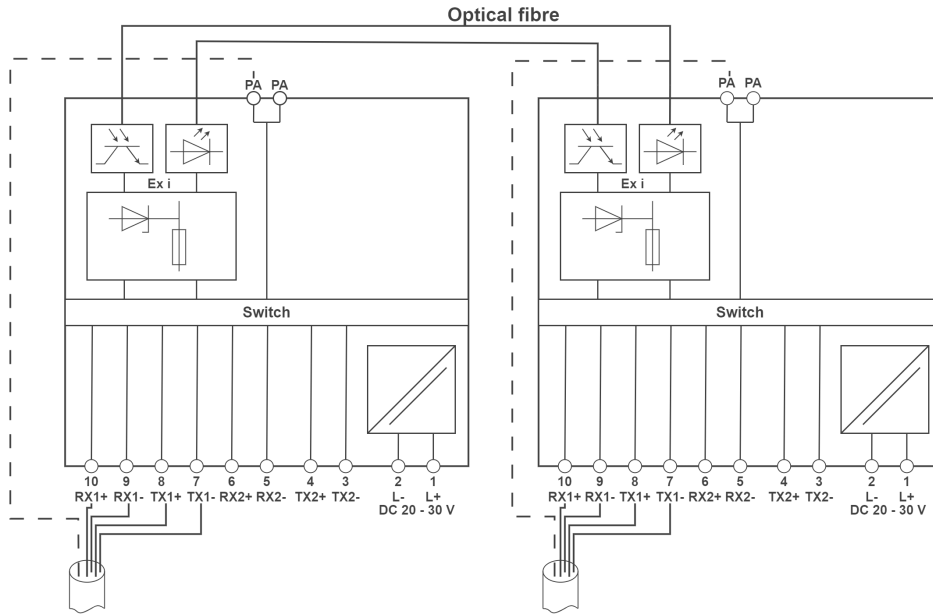
Dimensions / mounting positions



Connection example of optical fibre

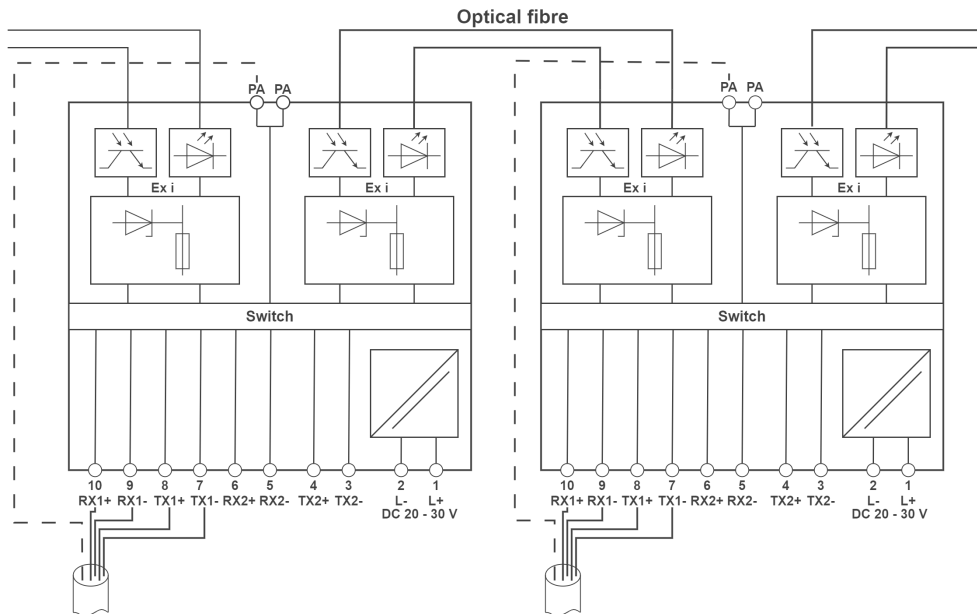
P-P-Coupler →

Connection example of optical fibre / Ethernet pp-coupler



T-Coupler →

Connection example of optical fibre / Ethernet t-coupler



Order numbers

Ethernet LWL P-P-Coupler	ST	07-7311-97WE2120
Ethernet LWL T-Coupler	ST	07-7311-97WE1120